

LEOPARD 2A6

MAIN BATTLE TANK



Pack 01

BUILD INSTRUCTIONS

AGORA
MODELS

LEOPARD 2A6

MAIN BATTLE TANK

EN: Align the parts and press firmly on the lugs until the parts fit tightly together.



FR: Alignez les pièces et appuyez fermement sur les ergots jusqu'à ce que les pièces s'emboîtent étroitement.

DE: Richten Sie die Teile aus und drücken Sie fest auf die Nasen, bis die Teile fest zusammenpassen.

ES: Alinee las piezas y presione firmemente hasta que encajen bien.

EN: Be careful not to over tighten the screws.



FR: Attention à ne pas trop serrer les vis.

DE: Achten Sie darauf, die Schrauben nicht zu fest anzuziehen.

ES: Tenga cuidado de no apretar demasiado los tornillos.

EN: Pay particular attention to the orientation of the parts.



FR: Portez une attention particulière à l'orientation des pièces.

DE: Achten Sie besonders auf die Ausrichtung der Teile.

ES: Preste especial atención a la orientación de las piezas.

EN: Use a hammer to fit these parts.



FR: Utilisez un marteau pour ajuster ces pièces.

DE: Verwenden Sie einen Hammer, um diese Teile zu montieren.

ES: Utilice un martillo para colocar estas piezas.

LEOPARD 2A6

MAIN BATTLE TANK

Using Your Upgrade Pack

Enclosed in this pack are new parts which have been tried and tested to improve the performance of your Leopard 2A6 Main Battle Tank. Please use these parts as replacements for the original parts supplied throughout the course of your build.

Pack 02, stage 10 part 10-1 : A softer spring to improve the gun barrel recoil. Please unscrew the spring attached to part 10-1 and replace it with the new spring labelled 10-1.

Pack 02, stage 10, part 10-2 : A harder spring to improve the performance of the gun barrel Up/Down movement.

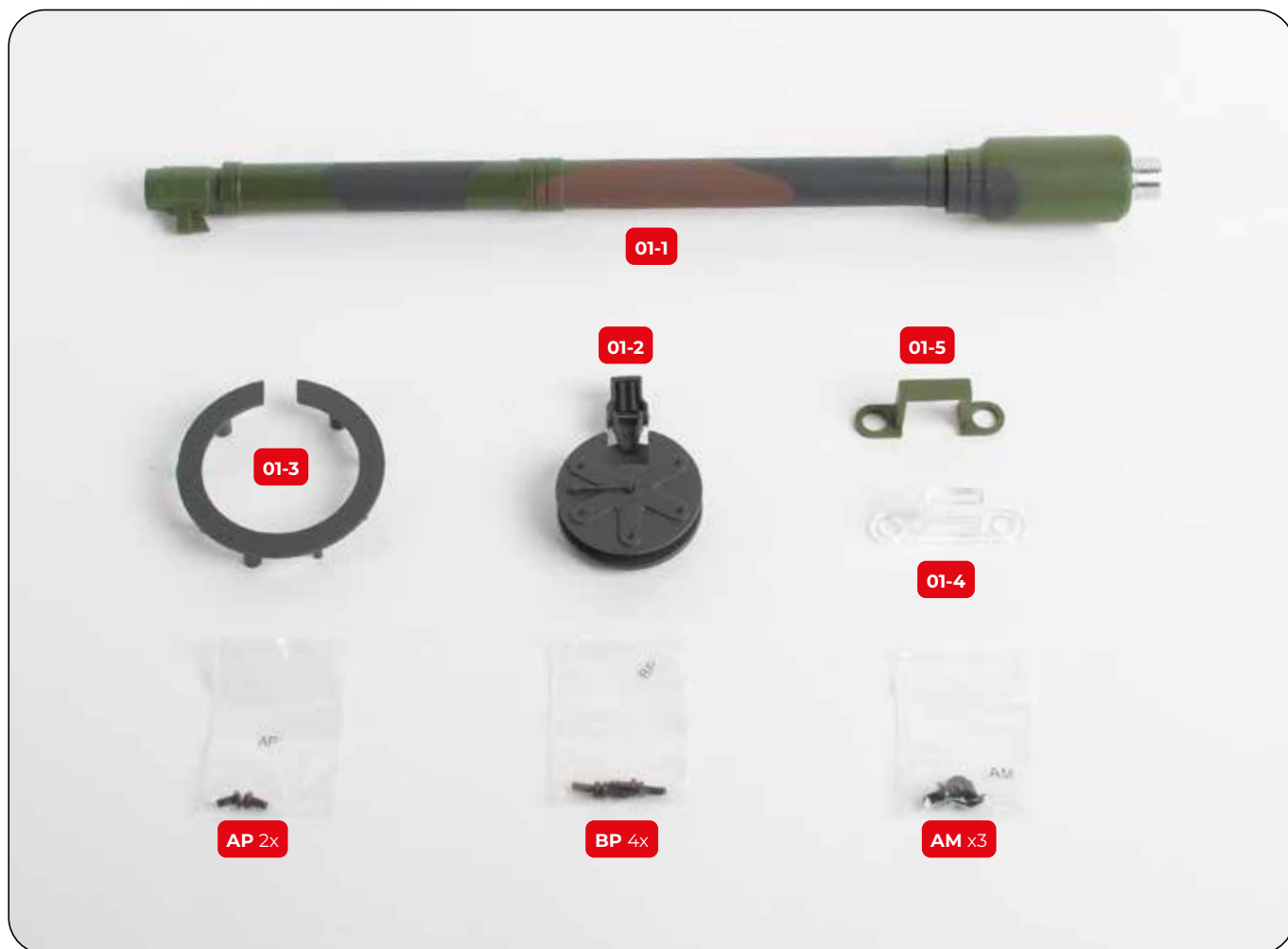
Packs 6 and 7 include springs for the wheel suspension. These springs are suitable if you intend to use your Leopard for display purposes only. Stronger springs, suitable for remote control use over uneven ground, have been provided in Pack 12. However, we have also included them in this Pack so you can choose which springs to use when you come to this part of your build. If you are not sure, use the springs in this pack and discard the wheel suspension springs in packs 6, 7 and 12.

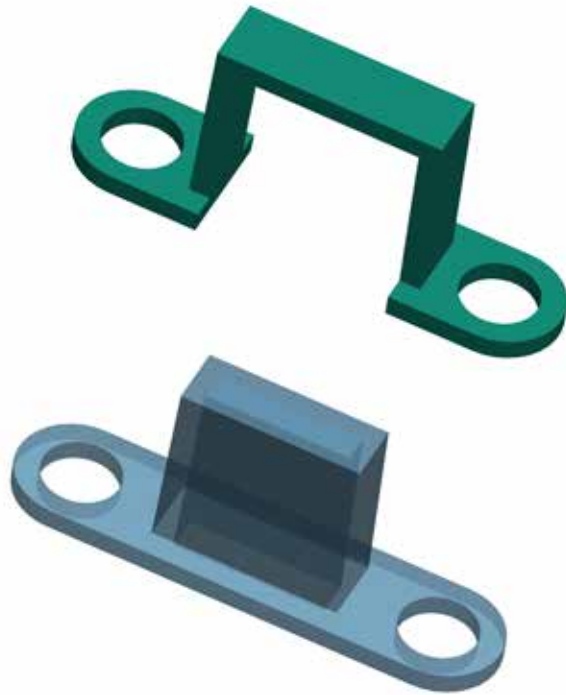
Pack 9, stage 75, part 75-1 : A new PCB to improve performance of the turret turning and headlight function.

Pack 10, stage 82, part 82-1 : A new cable to improve turret turning

Pack 11, stage 91, part 91-1 : A new circuit board to improve the sound and recoil of the main gun.

We hope you enjoy building your Leopard tank. For extra support and interesting chat, please visit our Leopard 2A6 page on the forum.

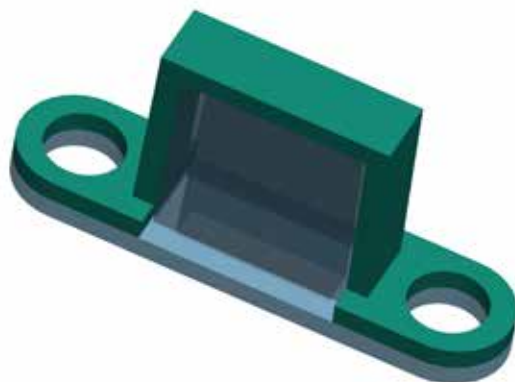




© 2018 AGORA

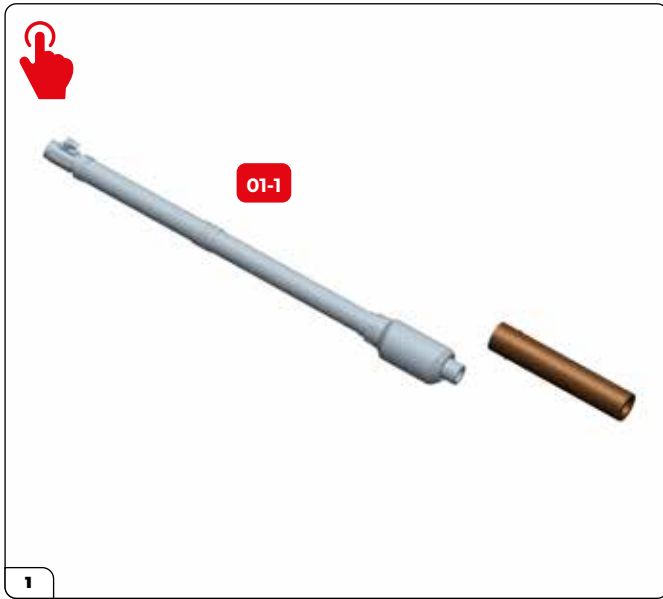
1

STAGE COMPLETE

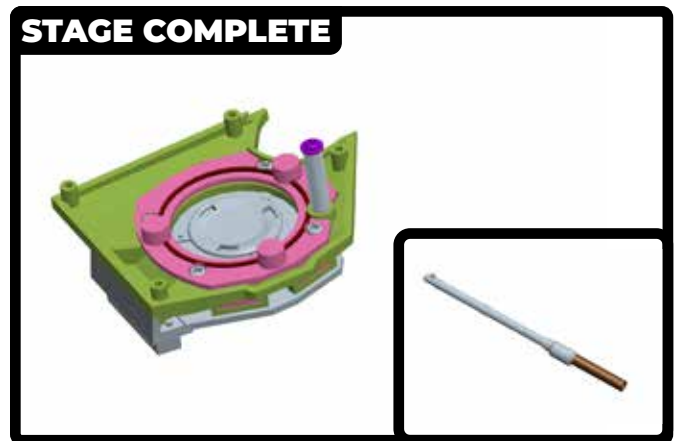
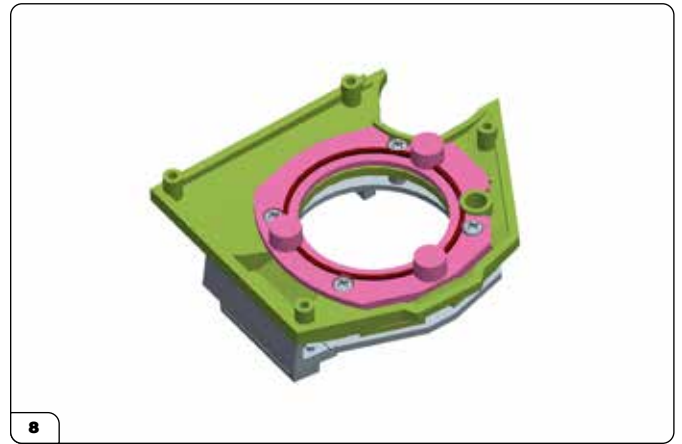




02

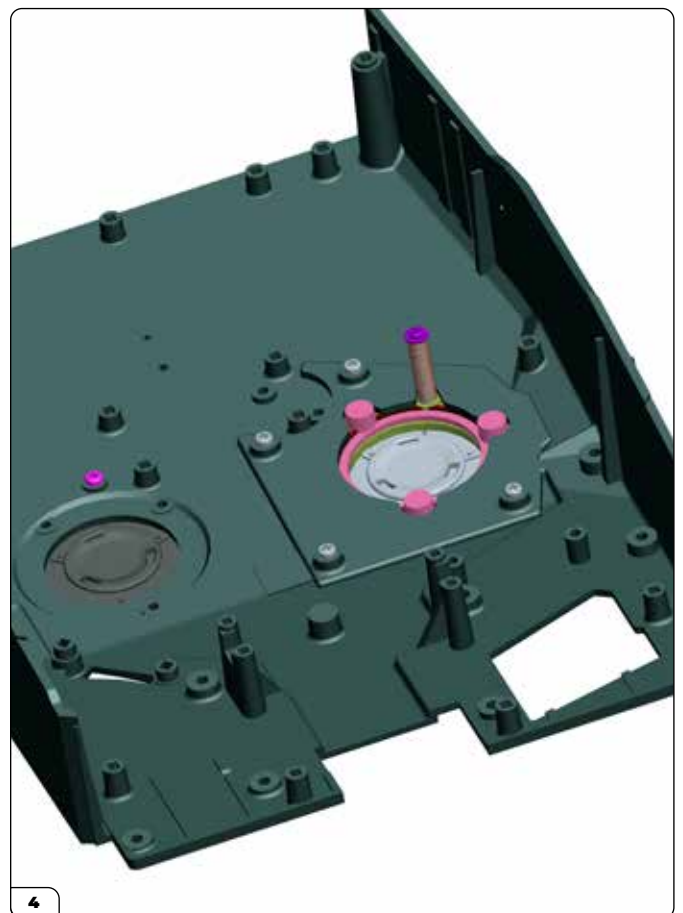
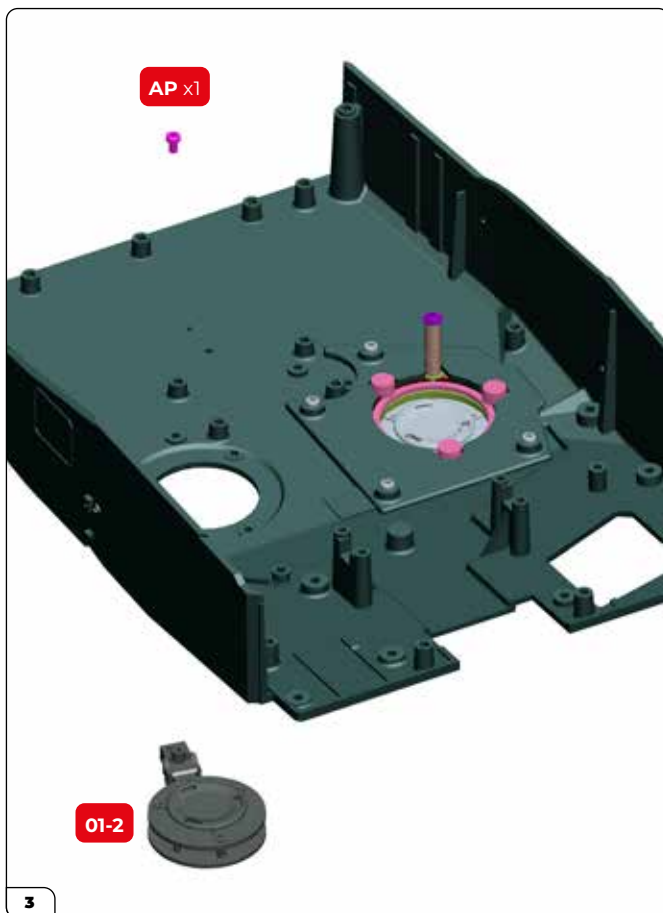
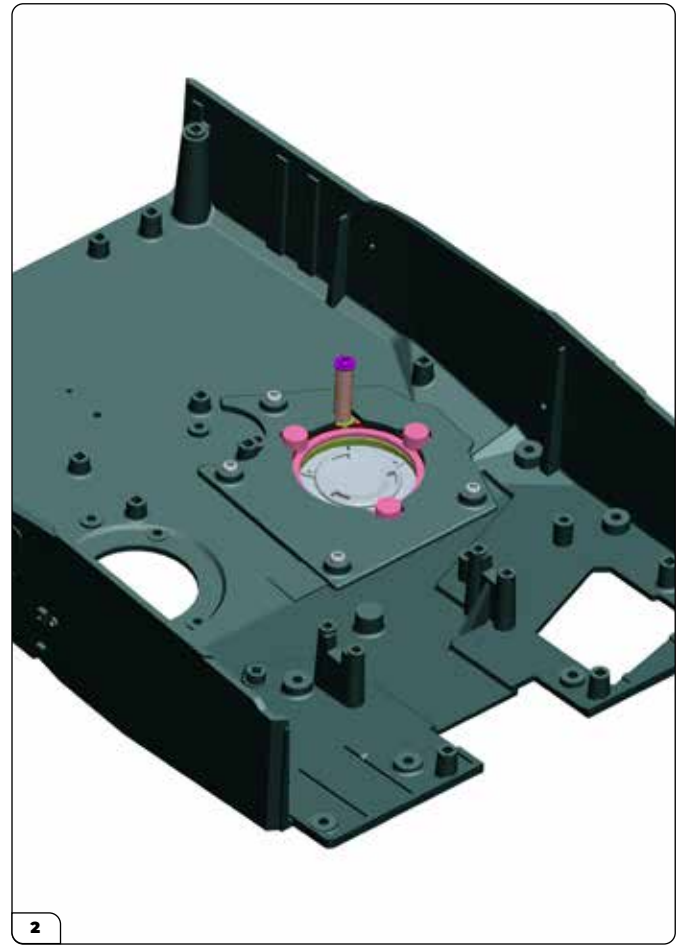
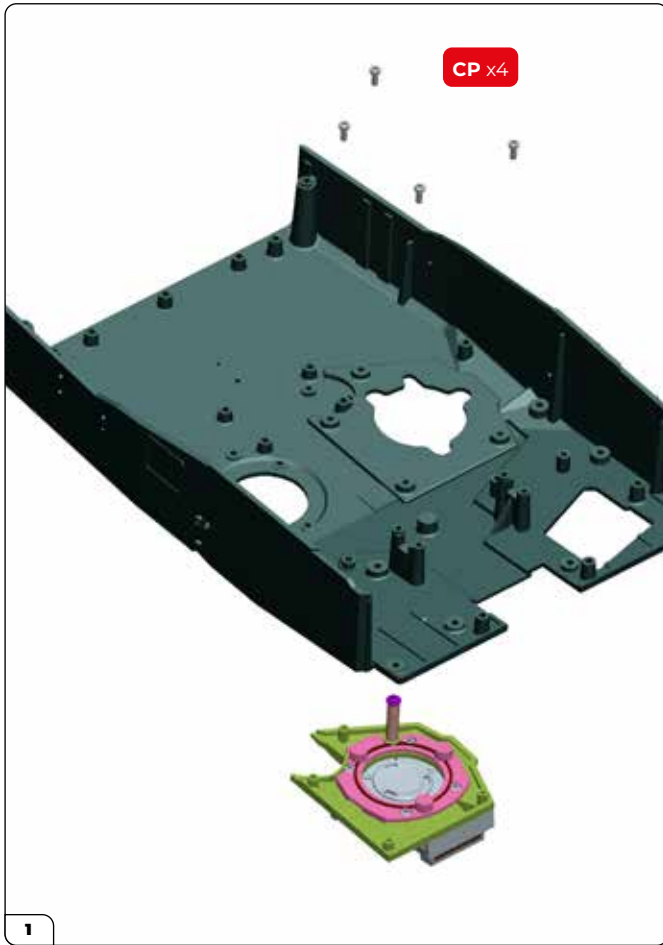


02

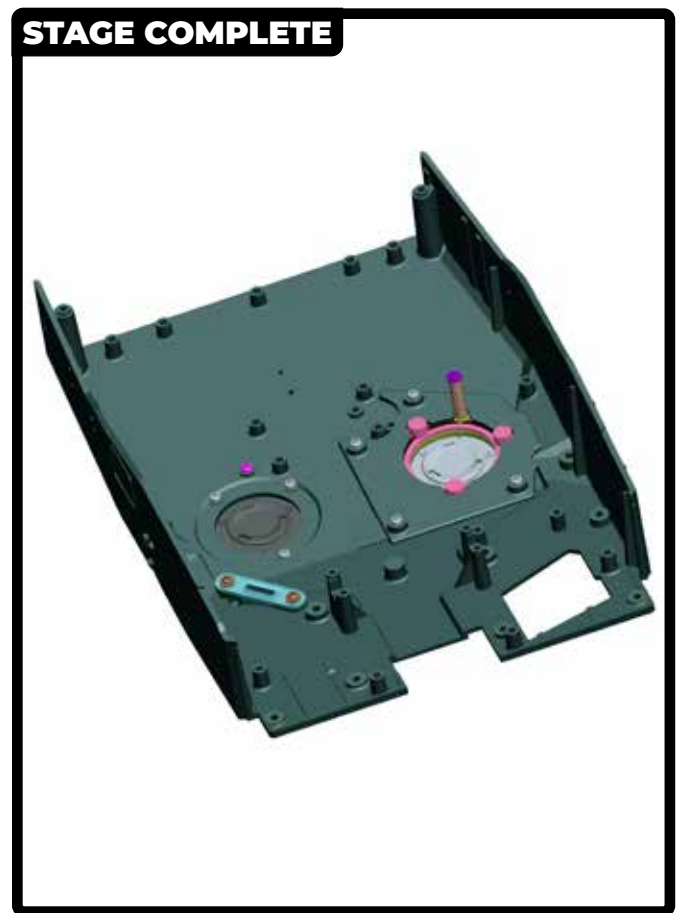
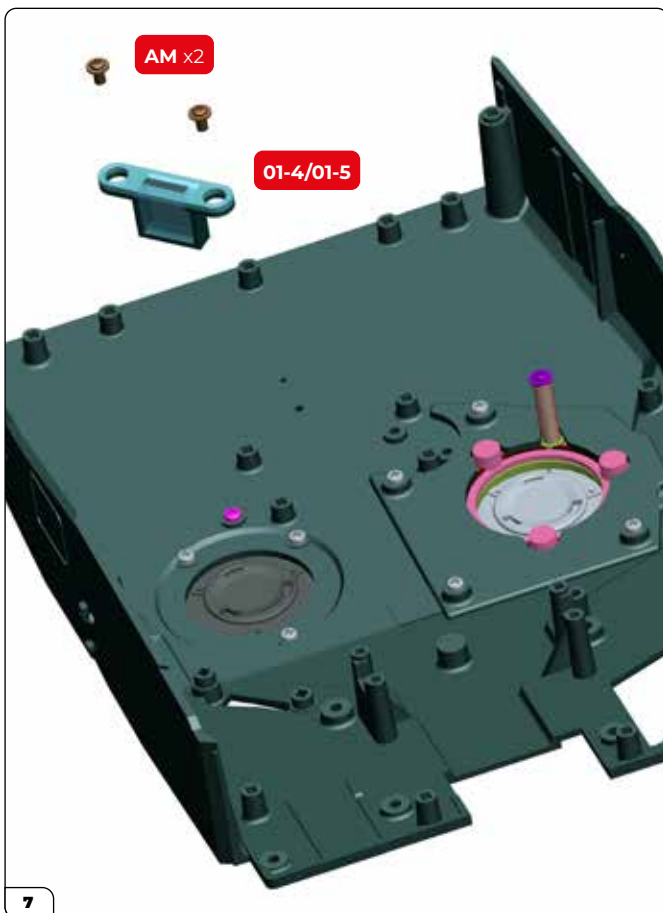
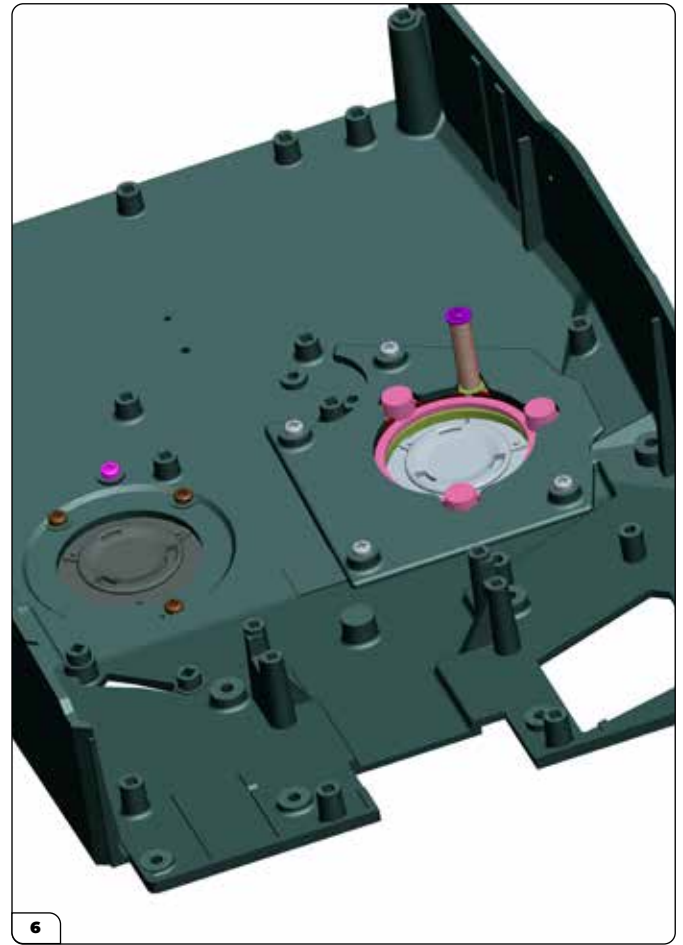
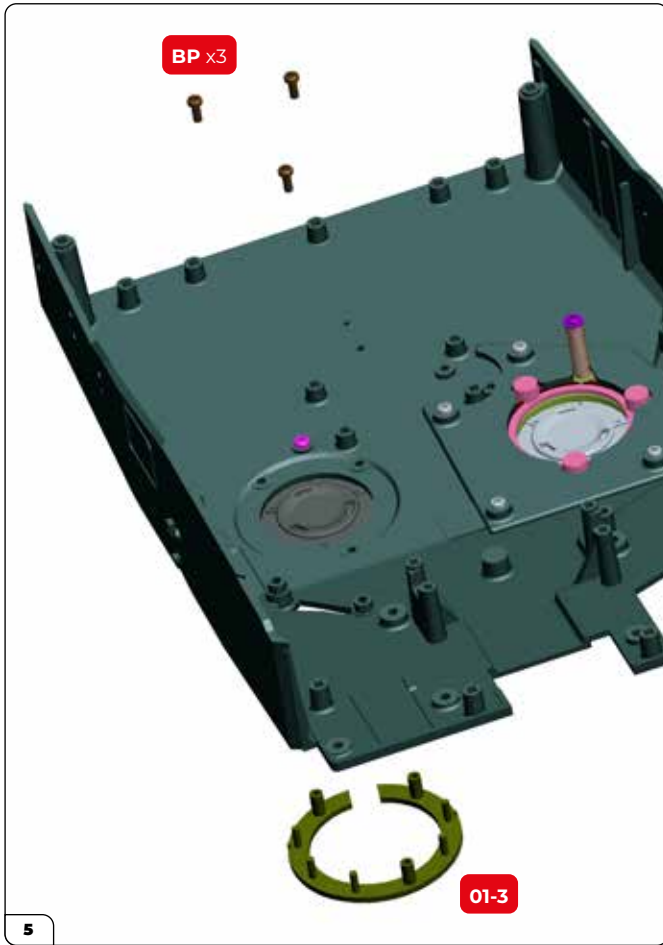


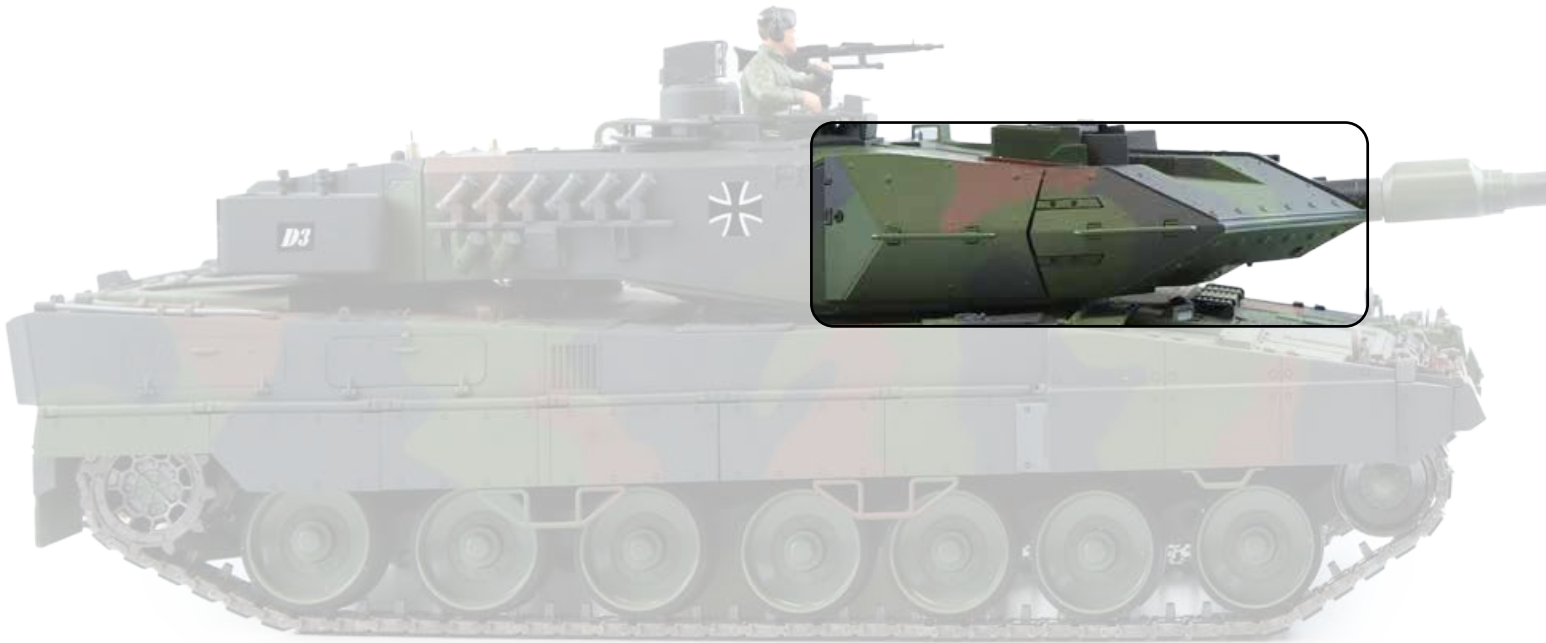


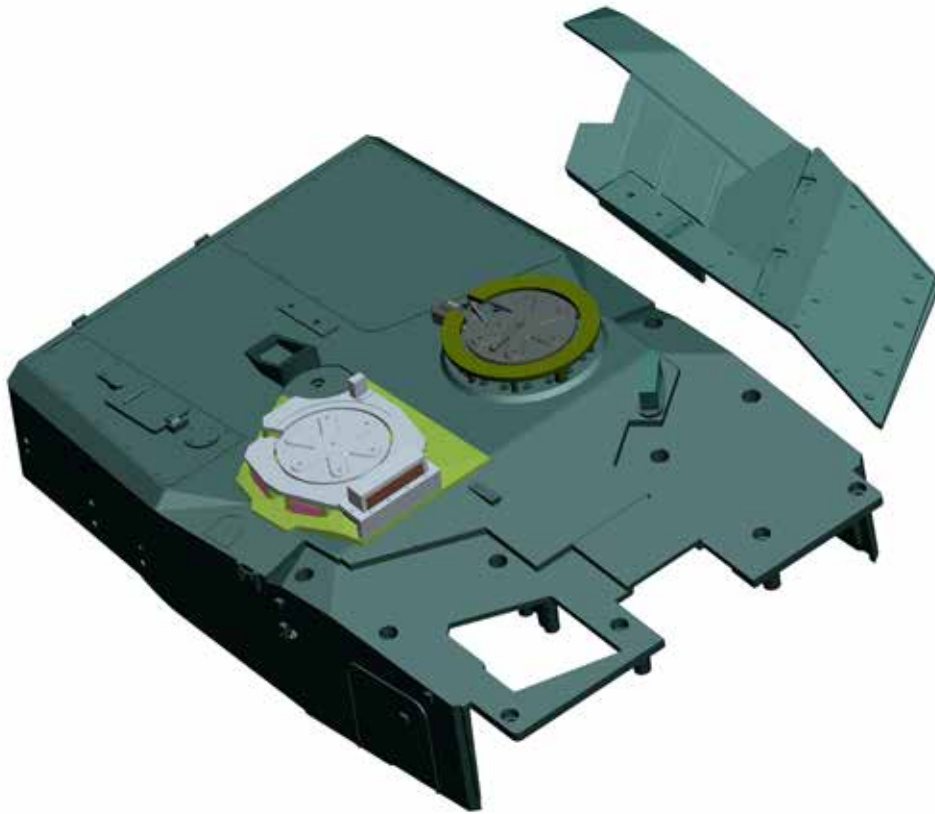
03



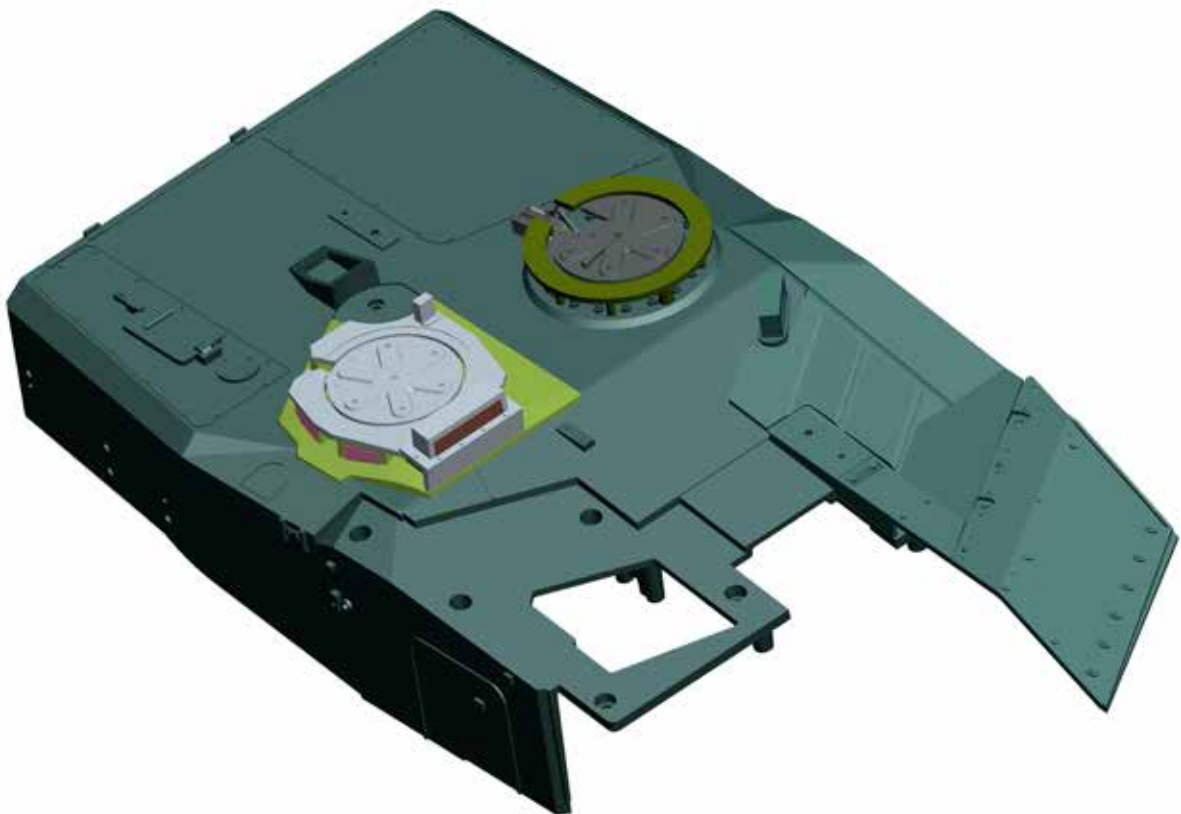
03



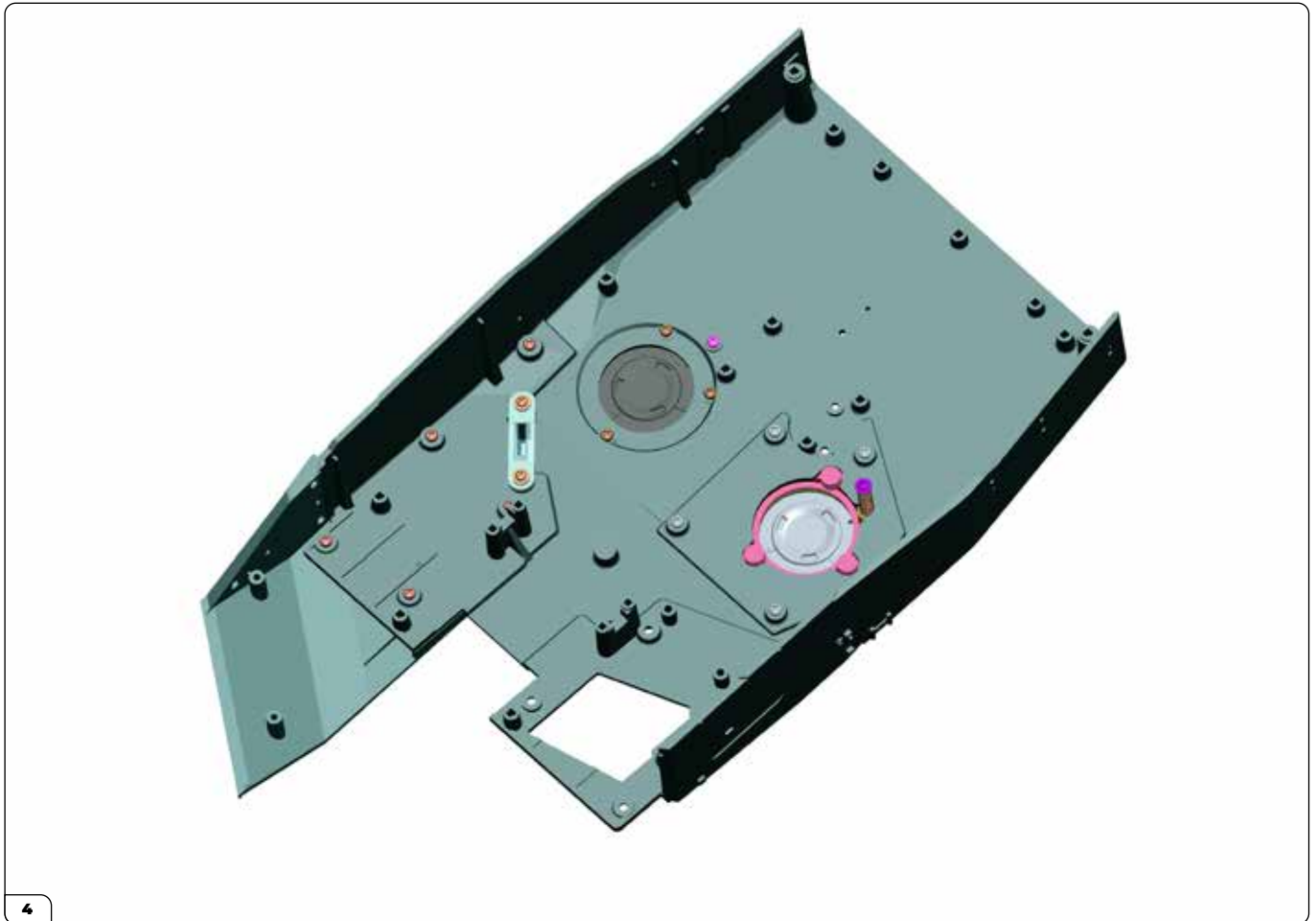




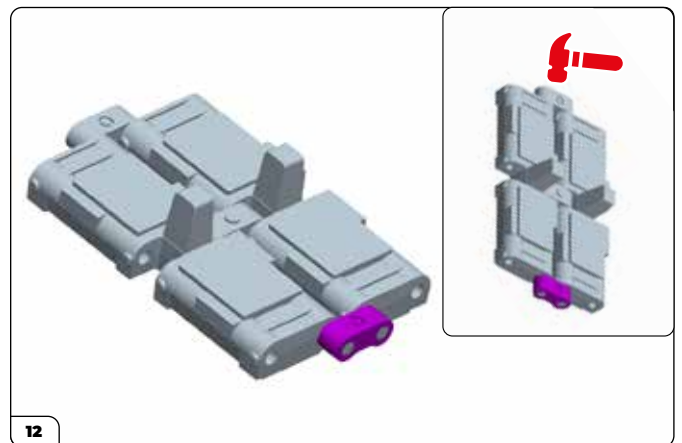
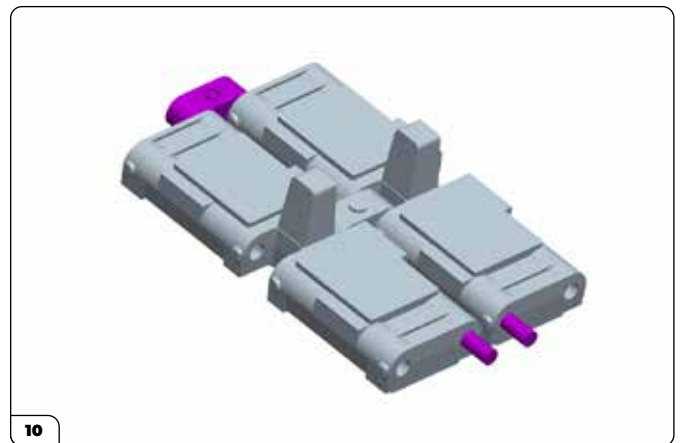
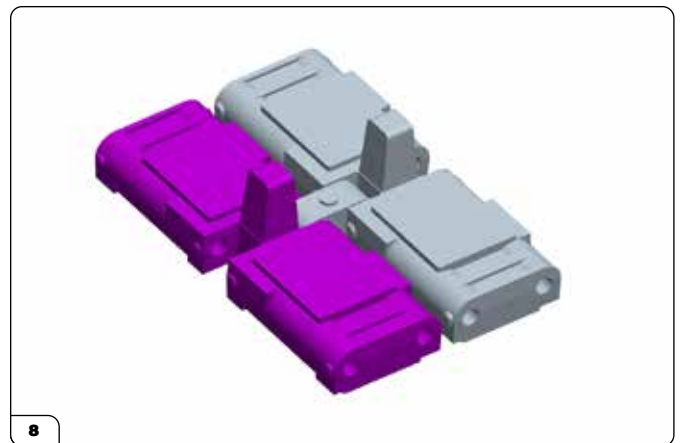
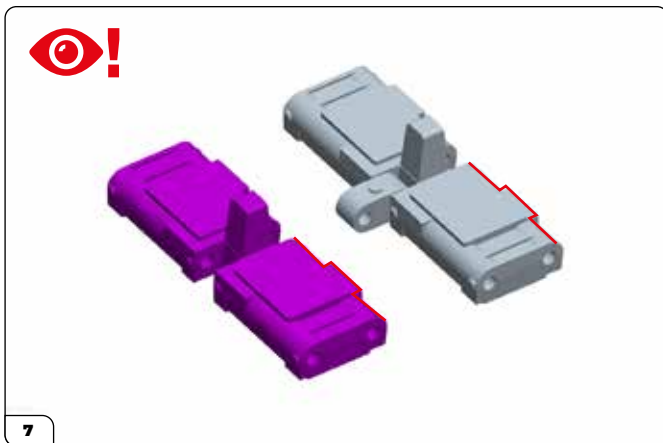
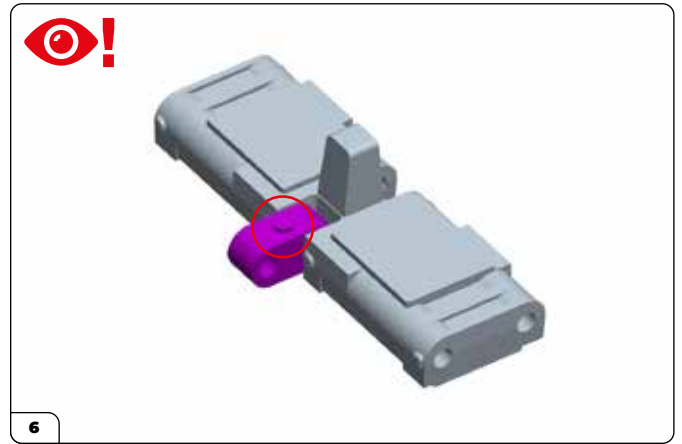
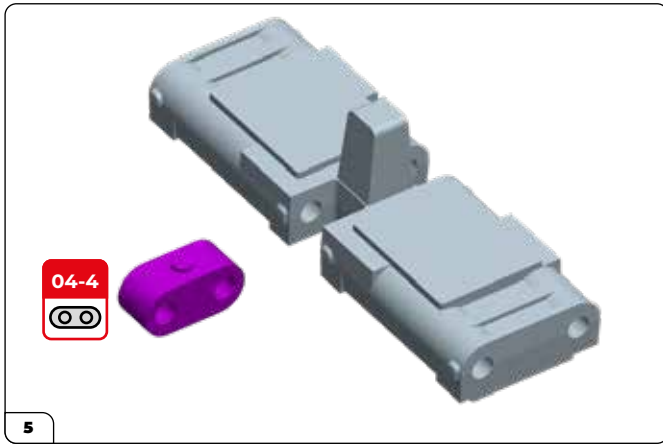
1

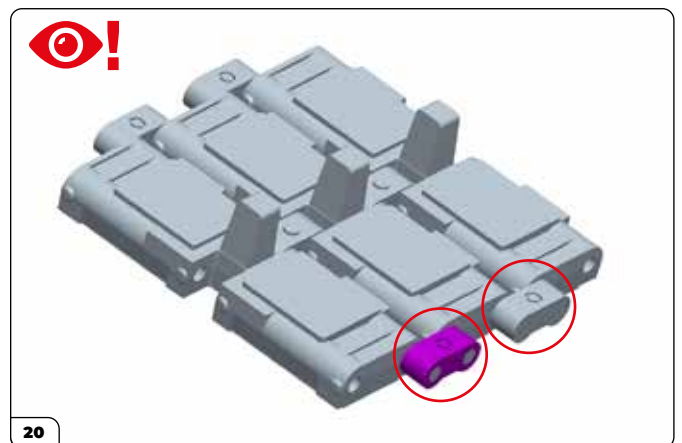
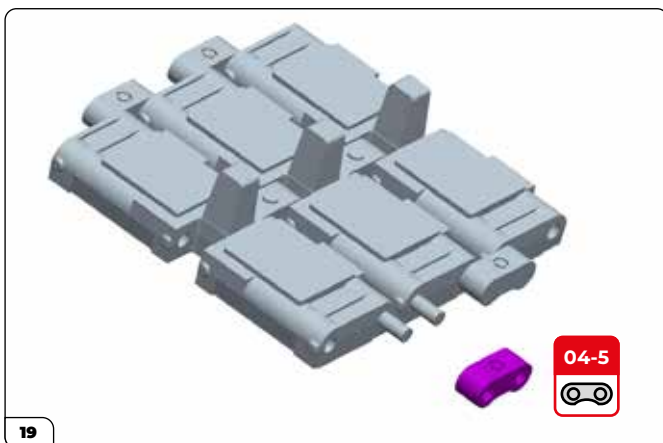
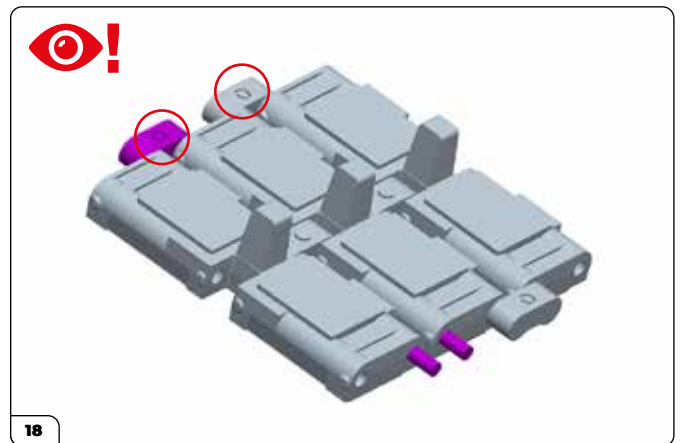
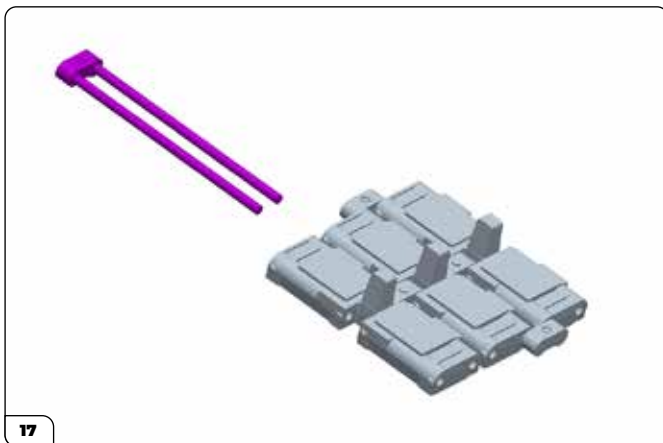
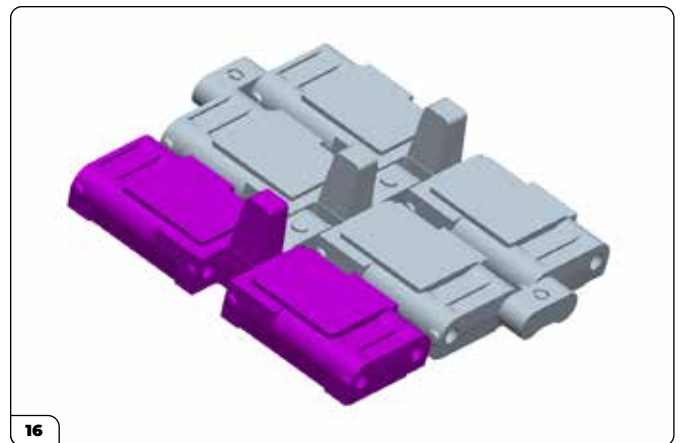
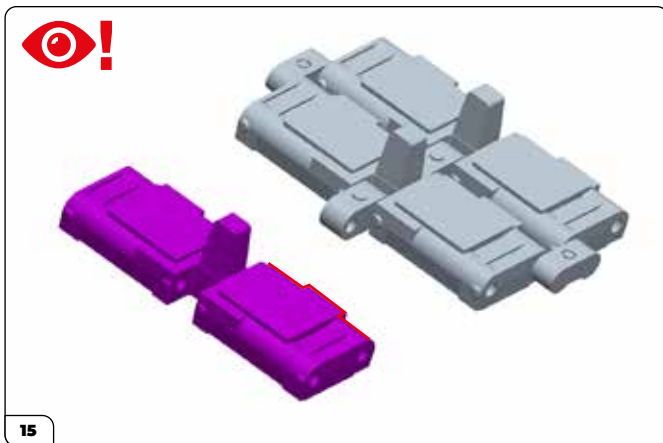
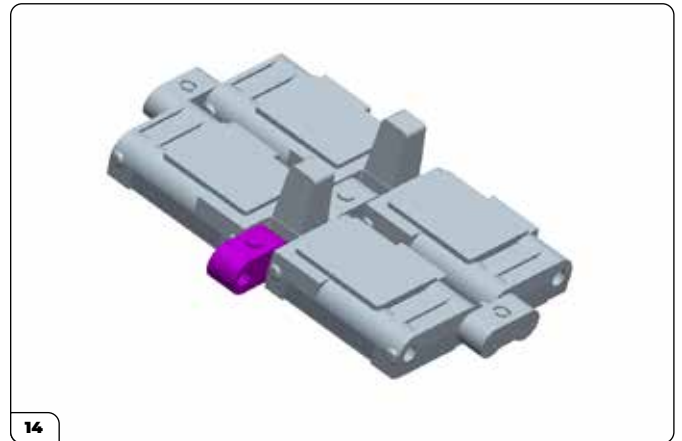
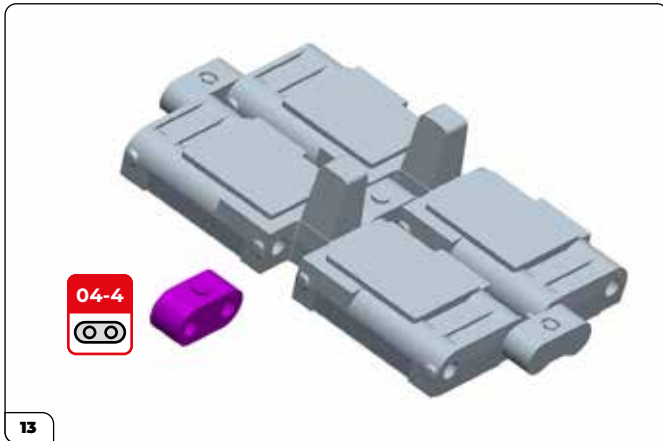


2

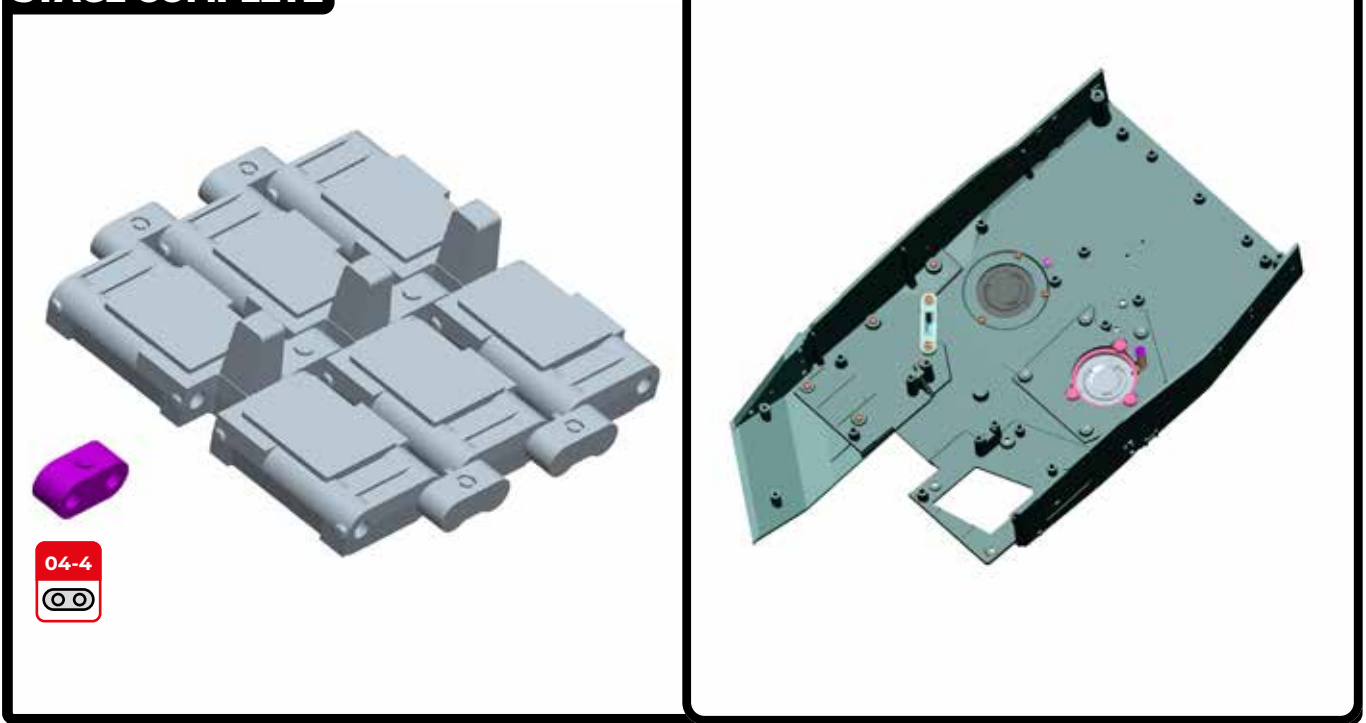


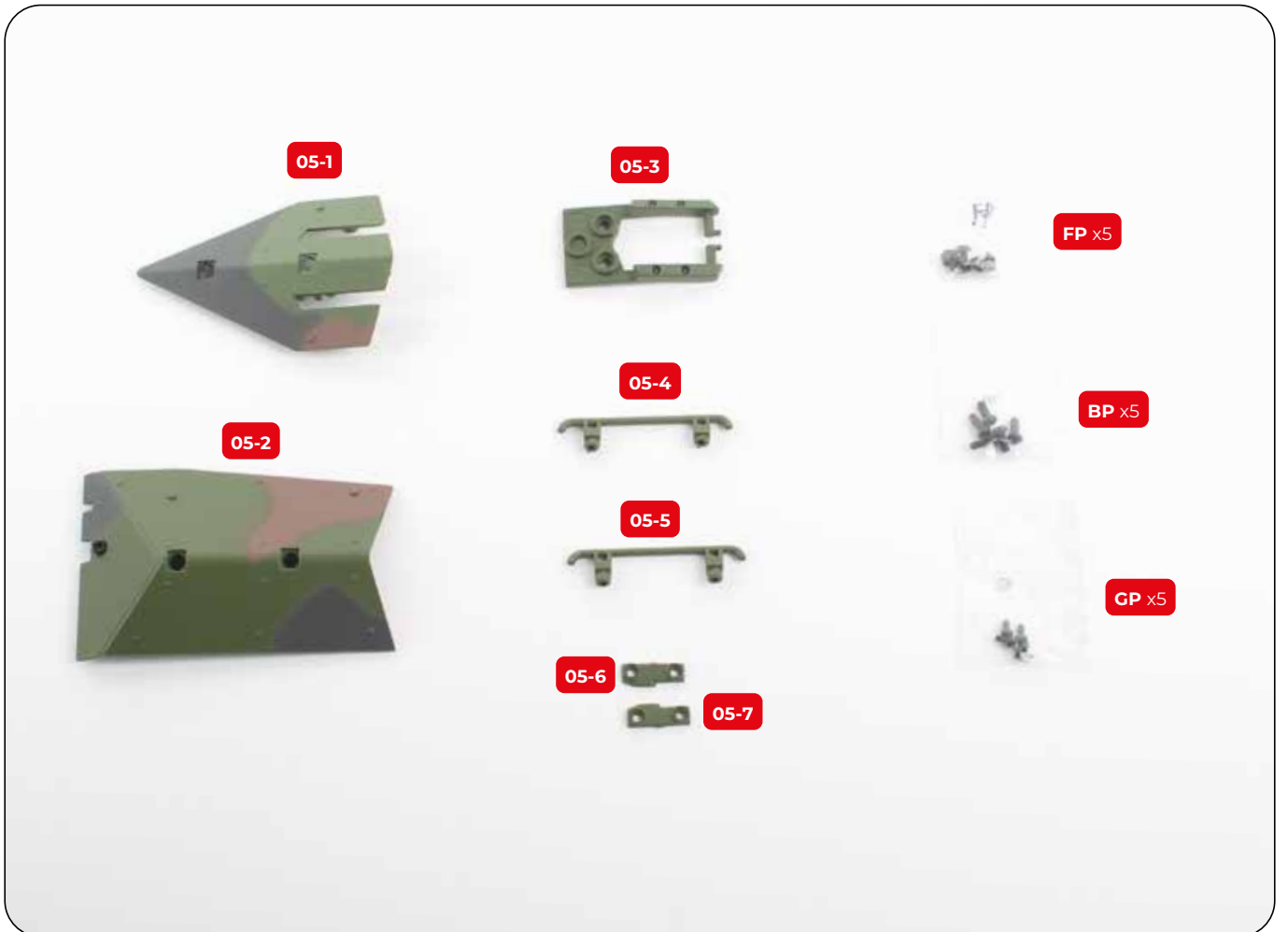
04



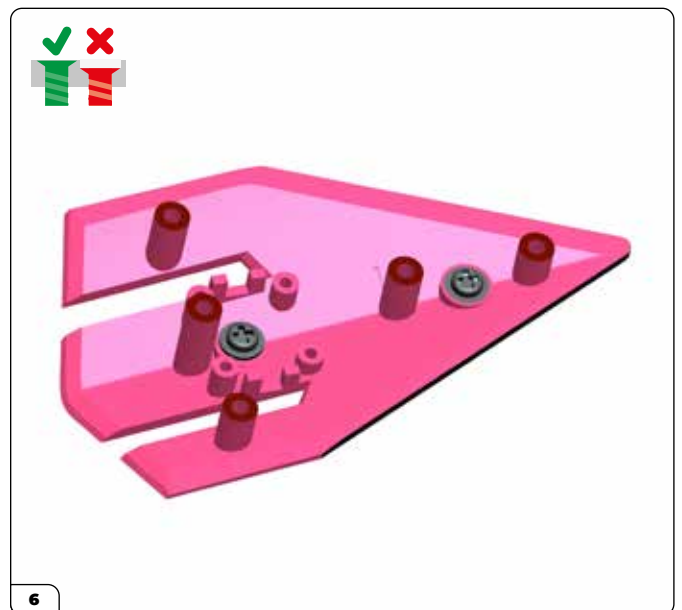
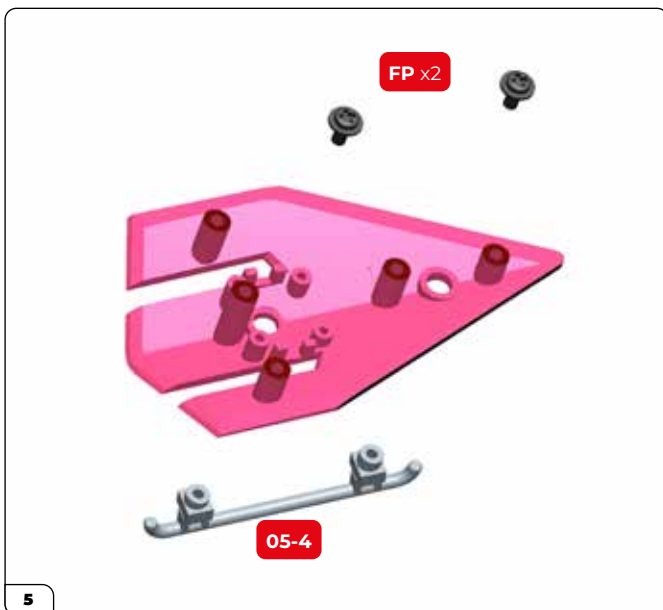


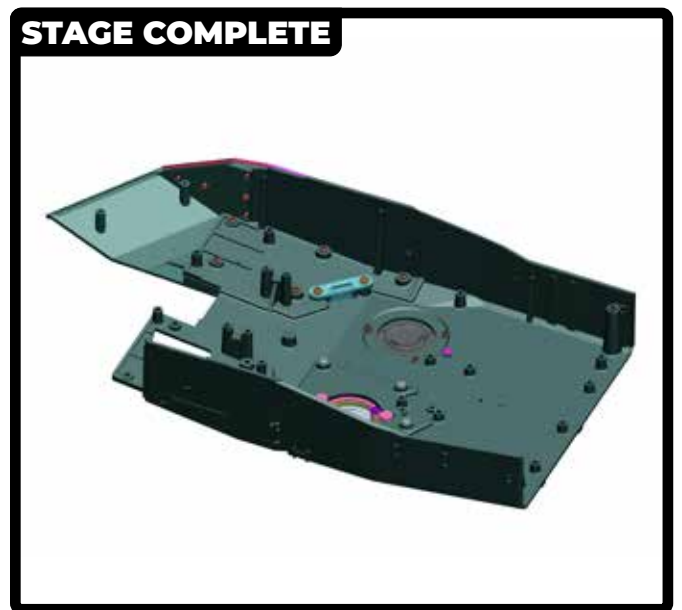
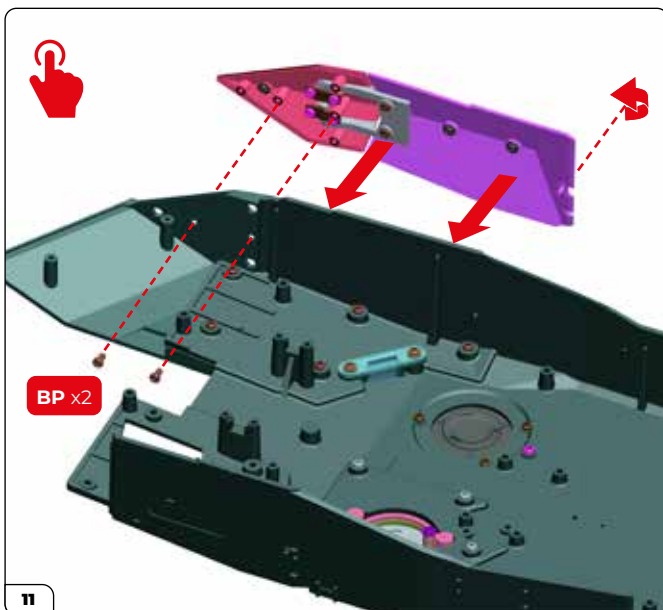
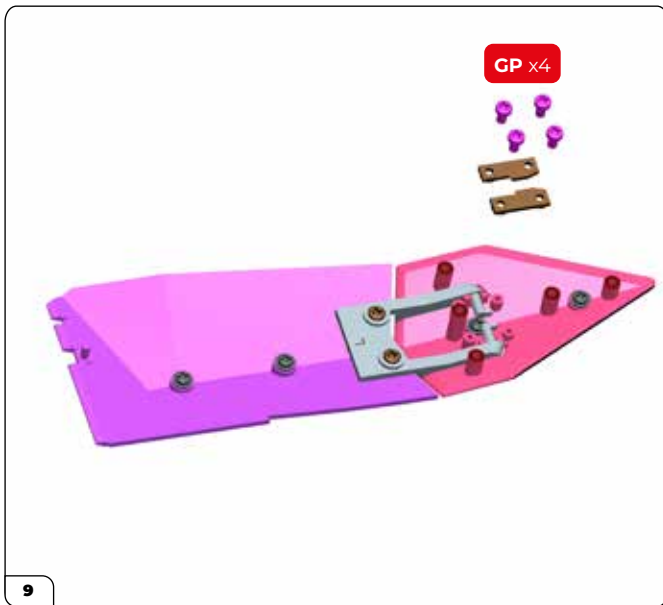
STAGE COMPLETE



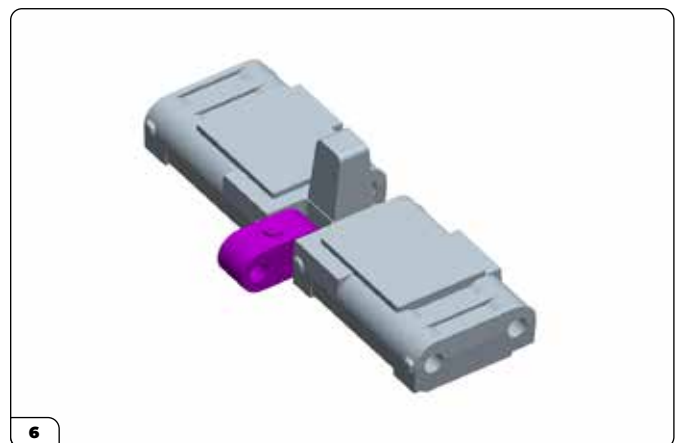
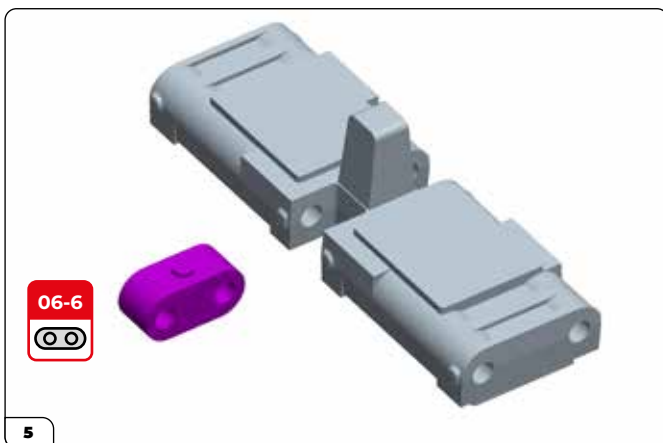
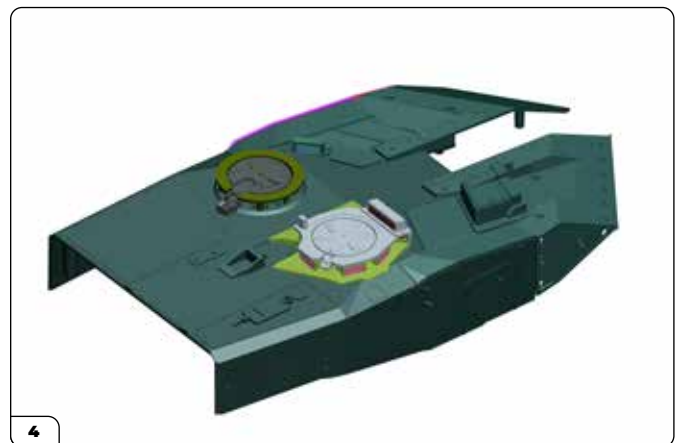
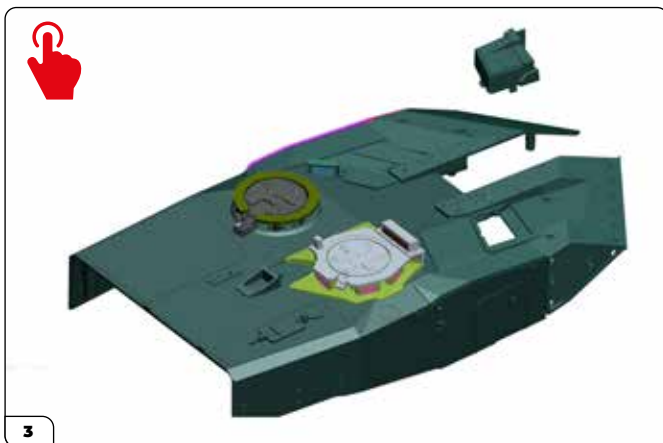
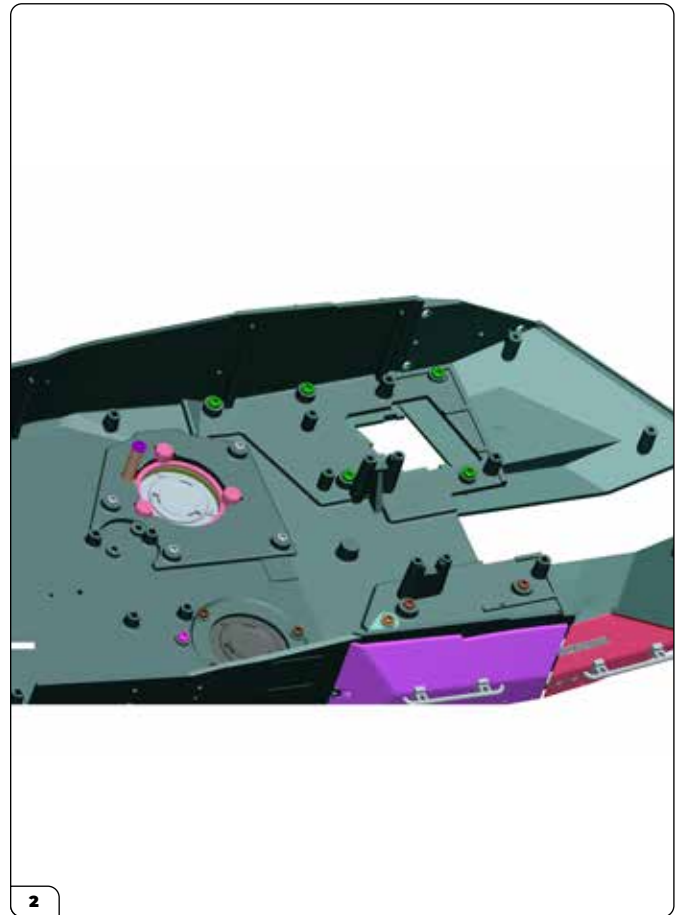
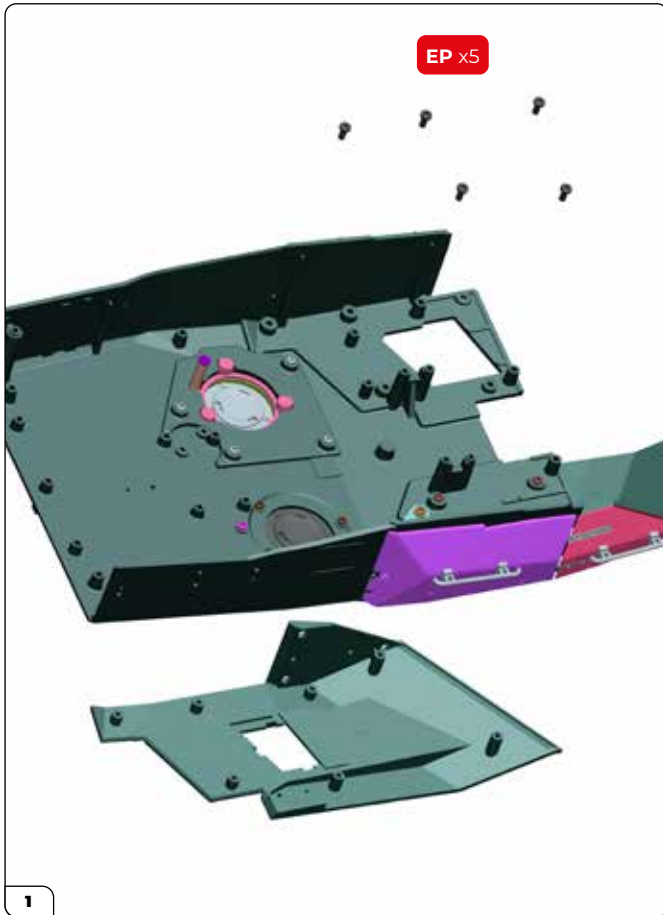


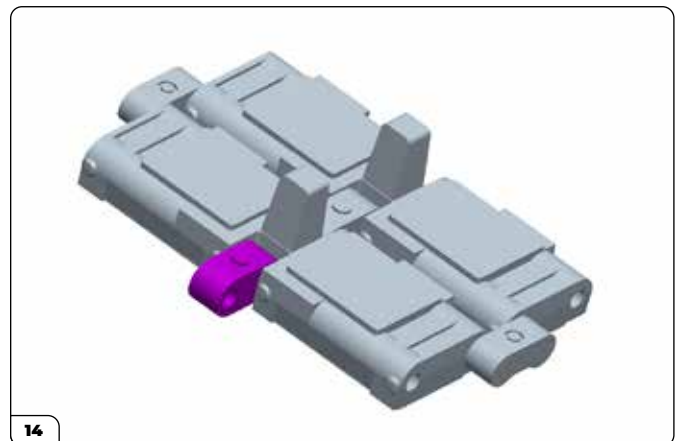
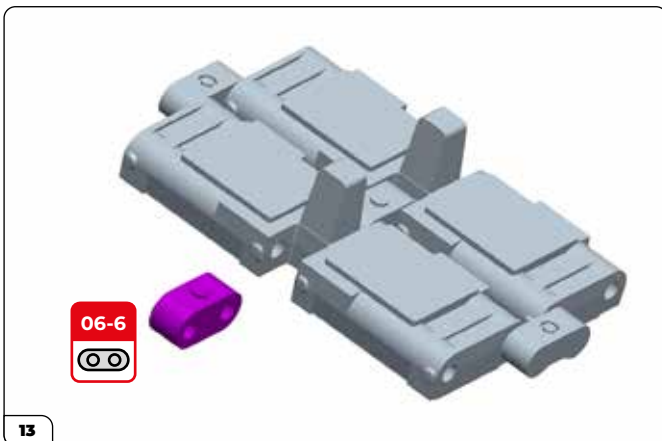
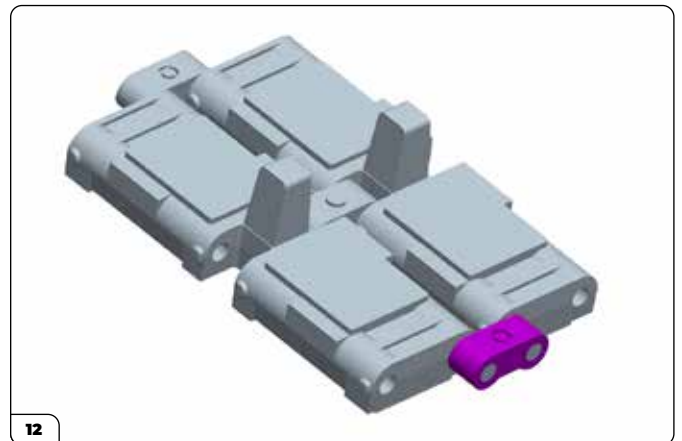
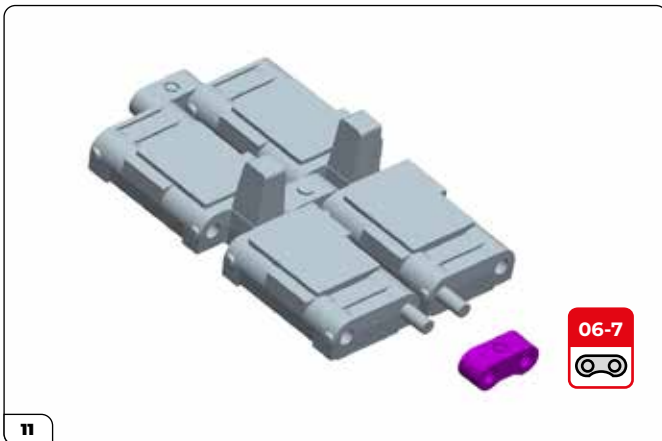
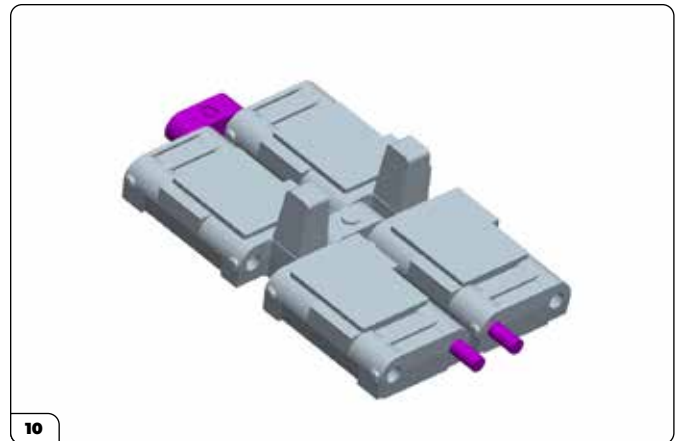
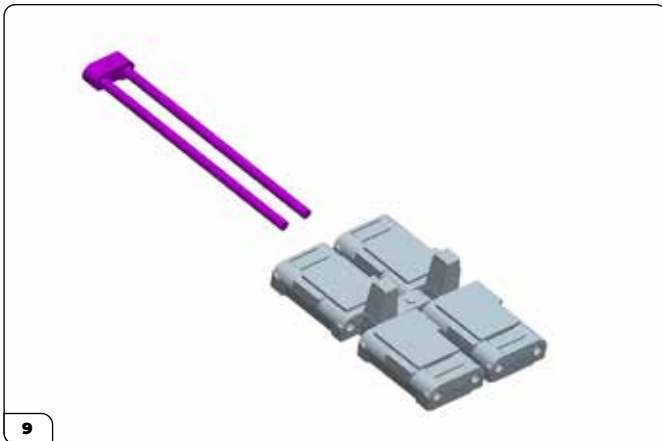
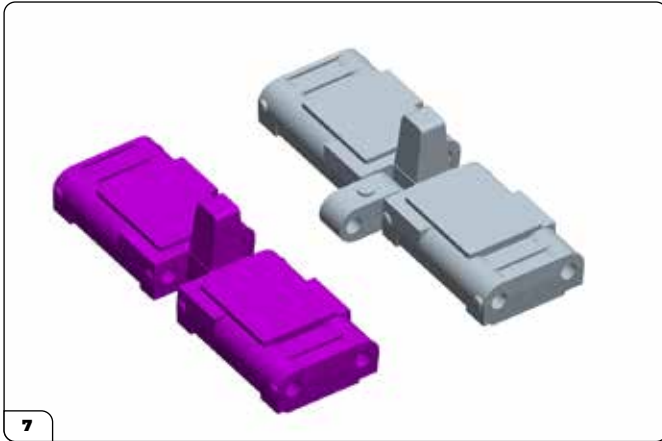
05

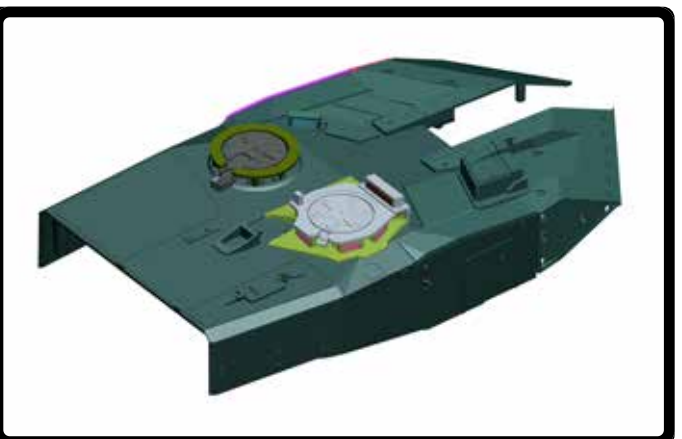
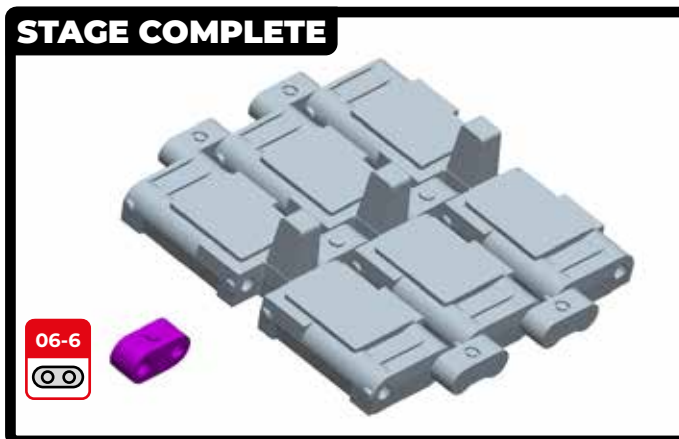
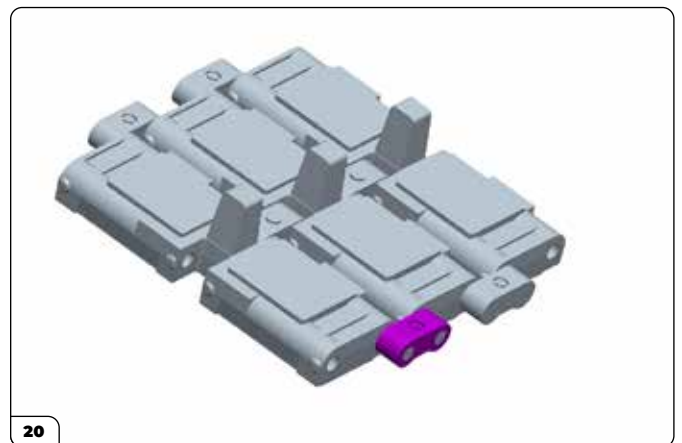
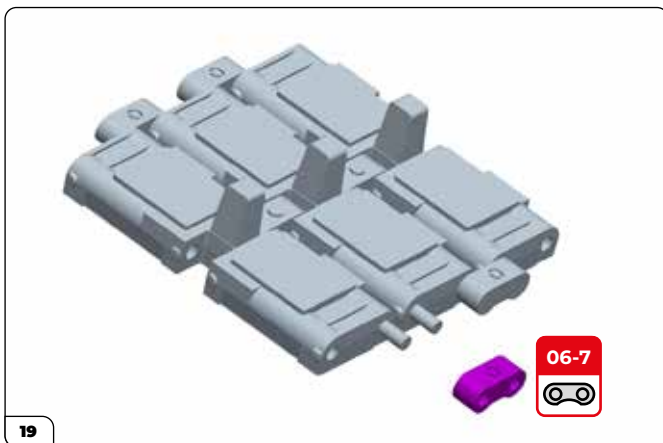
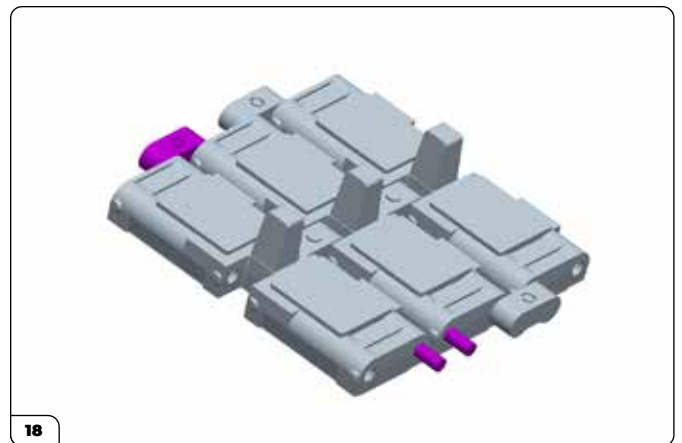
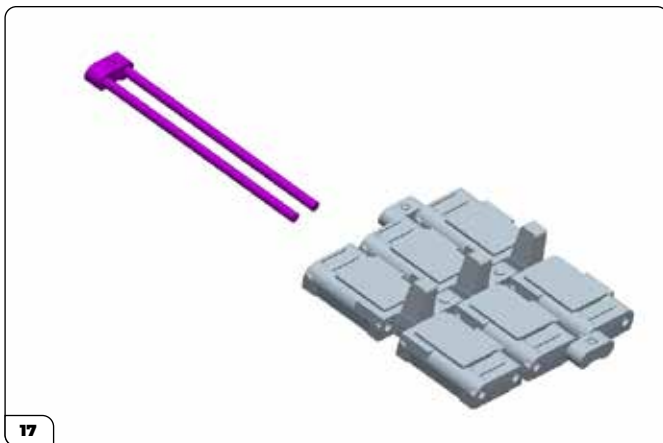
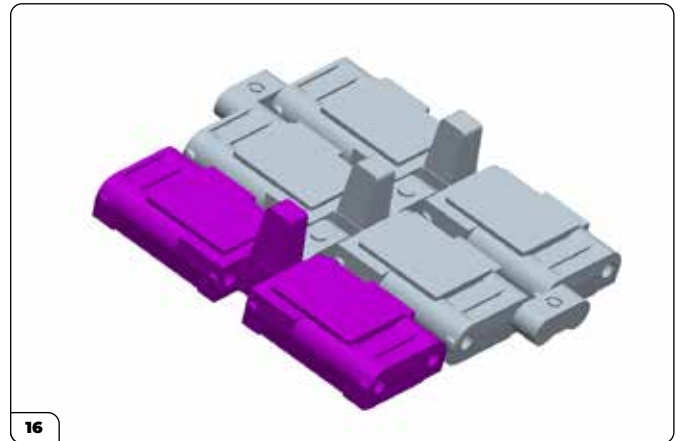
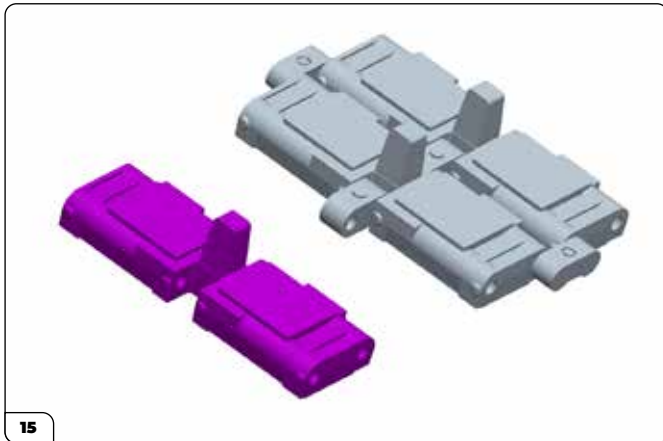






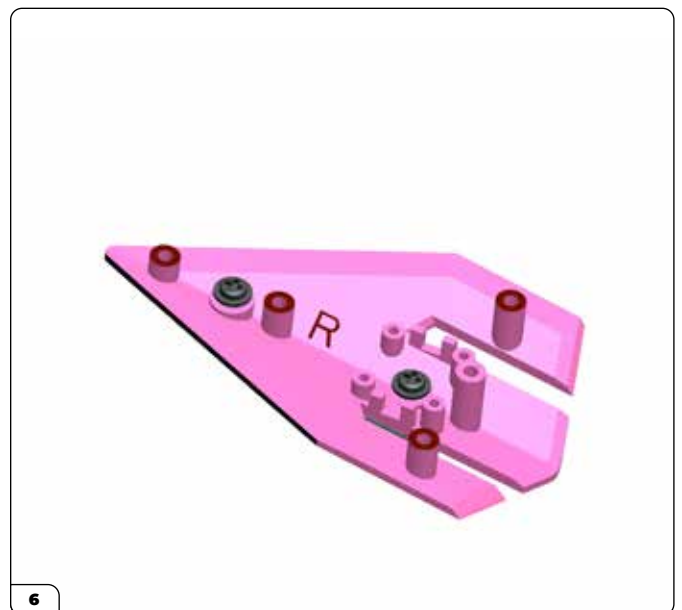
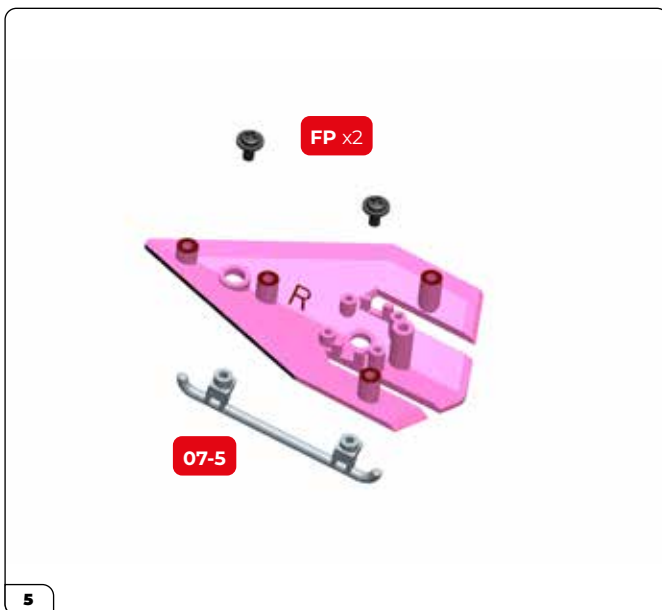


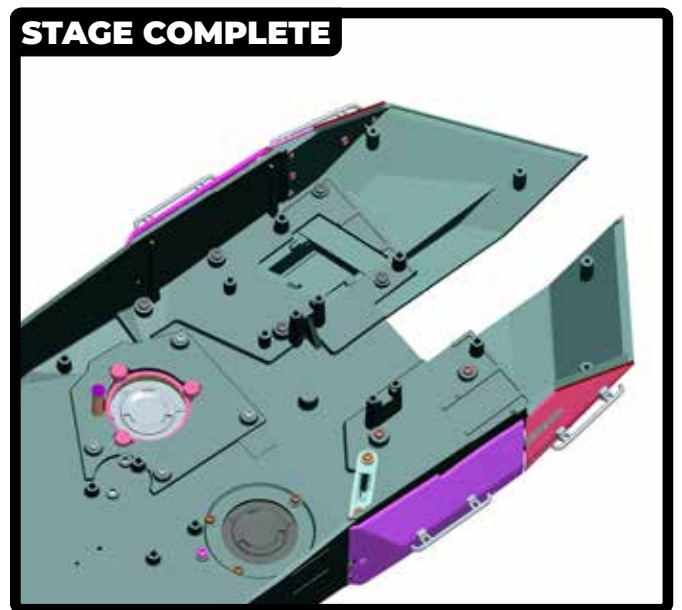
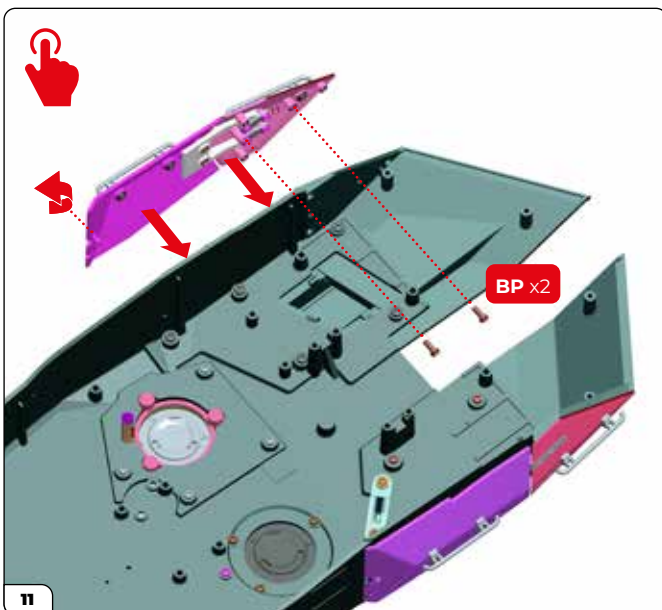
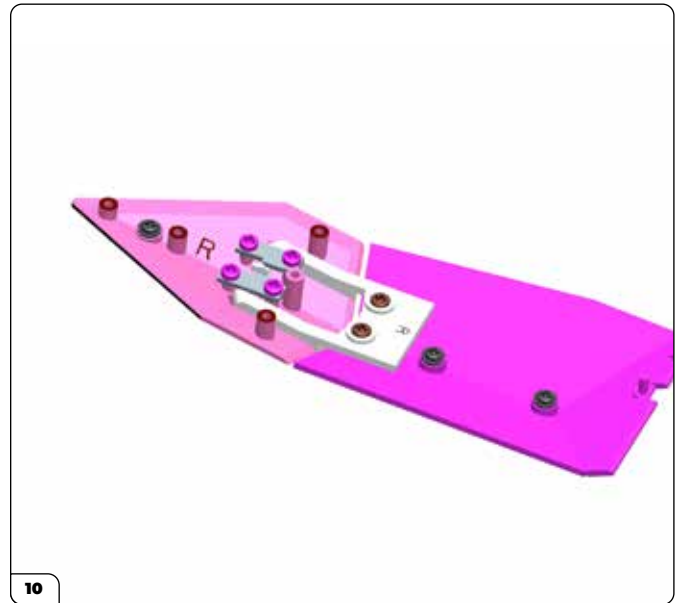
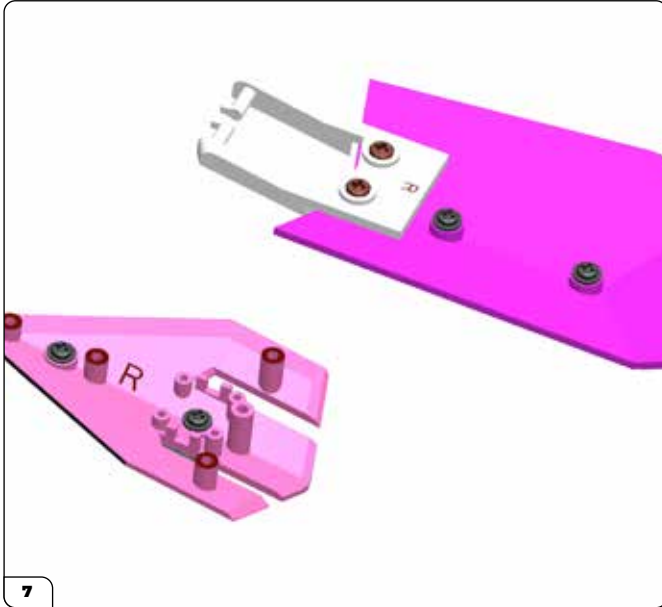






07







08-1

BM x4



08-2 x3



08-3 x3



08-4

08-5

