

1 9 6 5

SHELBY COBRA

427 SEMI-COMPETITION

1:8 SCALE



Pack 11 | Build Instructions

In the 1960s, Carroll Shelby's Cobras dominated racetracks worldwide, first winning races coast to coast across North America, then in 1965, winning the World Manufacturer's GT Championship, achieving the ultimate goal of defeating Ferrari. The Semi-Competitions were modified from full competition models just enough to make them street legal. Only 29 models were produced, making them one of the most sought-after American sports cars by collectors.

Your 1:8 model replicates the original 1965 Semi-Competition Cobra in intricate detail. From the detail on the dashboard dials to the writing on the wheels, every piece is precisely reproduced.

In your eleventh model pack, you will assemble:

**STAGE 83: OIL COOLER BRACKETS
AND HOSES**

**STAGE 84: AIR INLETS AND EXPANSION
TANK PARTS**

**STAGE 85: MAIN COBRA BODY
AND DOOR LOCKS**

**STAGE 86: SIDE MIRROR PARTS, RADIATOR
BRACKET, HOOD HINGES & MOUNTING PLATE**

**STAGE 87: LEFT INNER SIDE PANEL
AND DOOR ARCH TRIM**

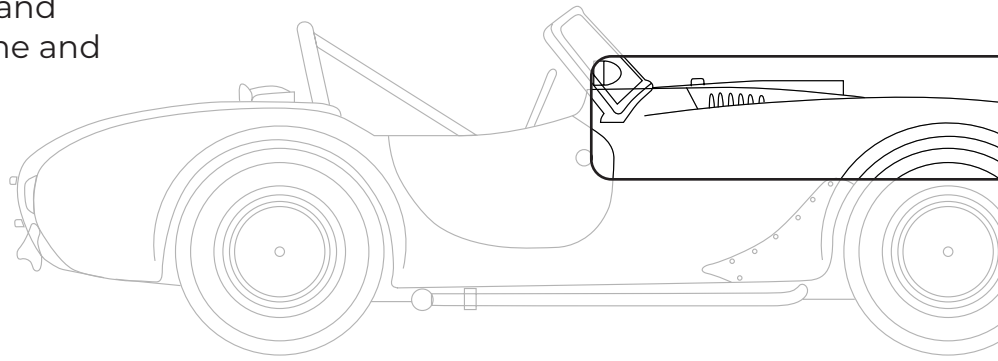
**STAGE 88: RIGHT INNER SIDE PANEL
AND DOOR ARCH TRIM**

STAGE 89: ELECTRICAL WIRES

**STAGE 90: LEFT FENDER GRILLE
AND JACKING PADS**

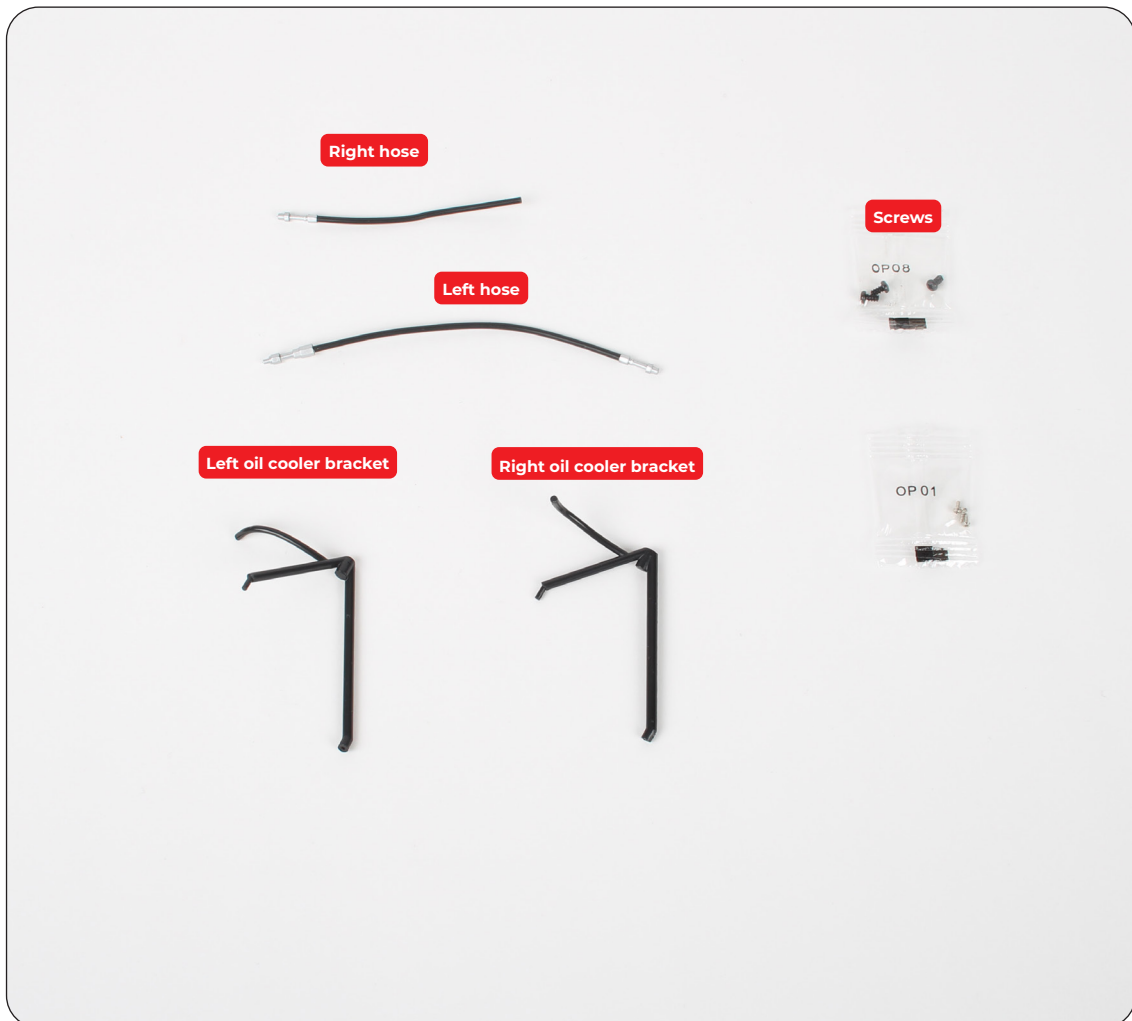
Stage 83: Oil Cooler Brackets And Hoses

In this first stage of Pack 11, you will fix the oil cooler brackets and radiator to the mounting frame and add the hoses.



STAGE 83 PARTS LIST

Name	Quantity
Left oil cooler bracket	1
Right oil cooler bracket	1
Left hose	1
Right hose	1
Screws TYPE OP01	3
Screws TYPE OP08	3



Stage 83: Oil Cooler Brackets And Hoses

STEP 1

ATTACH THE OIL COOLER BRACKETS

Align the Left Oil Cooler Bracket with the corresponding holes on the Radiator Mounting Frame. Fix in place from the reverse side using 1 x TYPE OP01 screw.

Repeat on the right side to attach the Right Oil Cooler Bracket.



Stage 83: Oil Cooler Brackets And Hoses

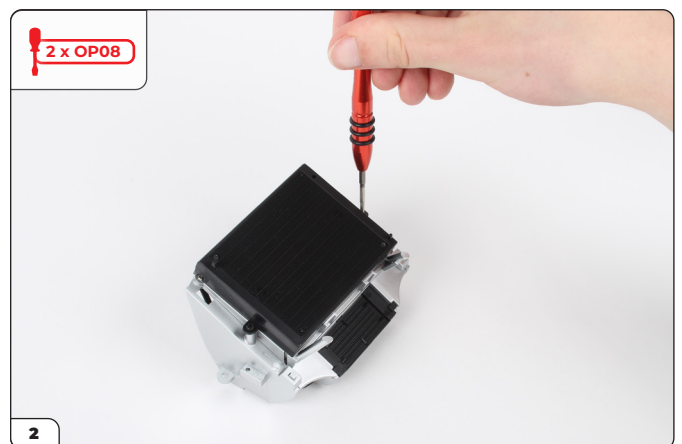
CONTINUED...



STEP 2

ATTACH THE RADIATOR TO THE MOUNTING FRAME

Align the two tabs on the side of the Radiator with the two raised screw holes on the Radiator Mounting Frame. Secure in place using 2 x TYPE OP08 screws.



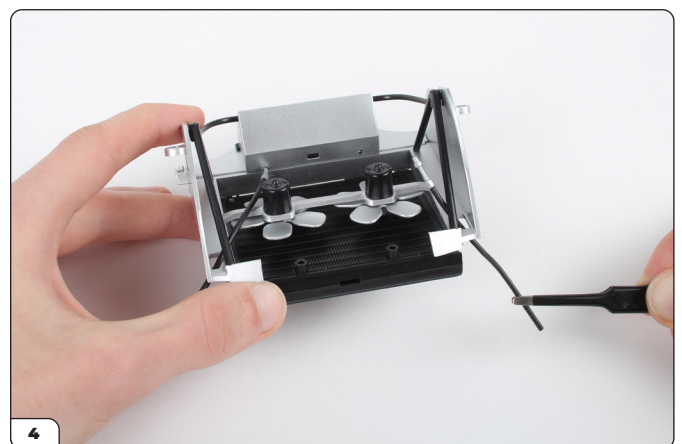
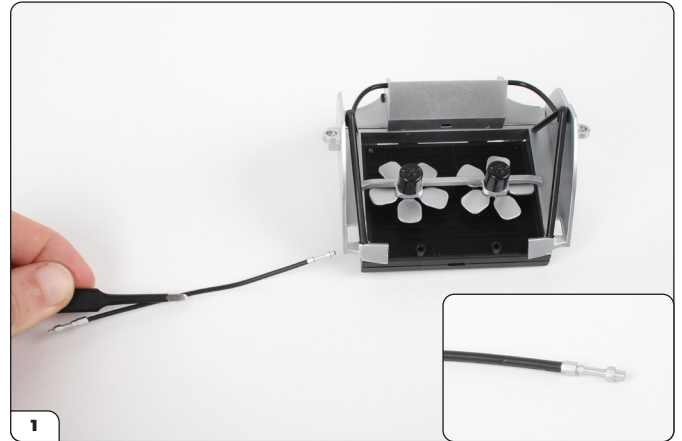
Stage 83: Oil Cooler Brackets And Hoses

STEP 3

FIX THE HOSES IN PLACE

Feed the Left Hose through the square hole on the left side of the Radiator Mounting Frame. Check you have the hose the correct way round, with the end shown in picture 1 leading towards the Oil Cooler. Push the end of the hose into the hole on the Oil Cooler.

Repeat with the Right Hose on the right side of the Oil Cooler (picture 4).

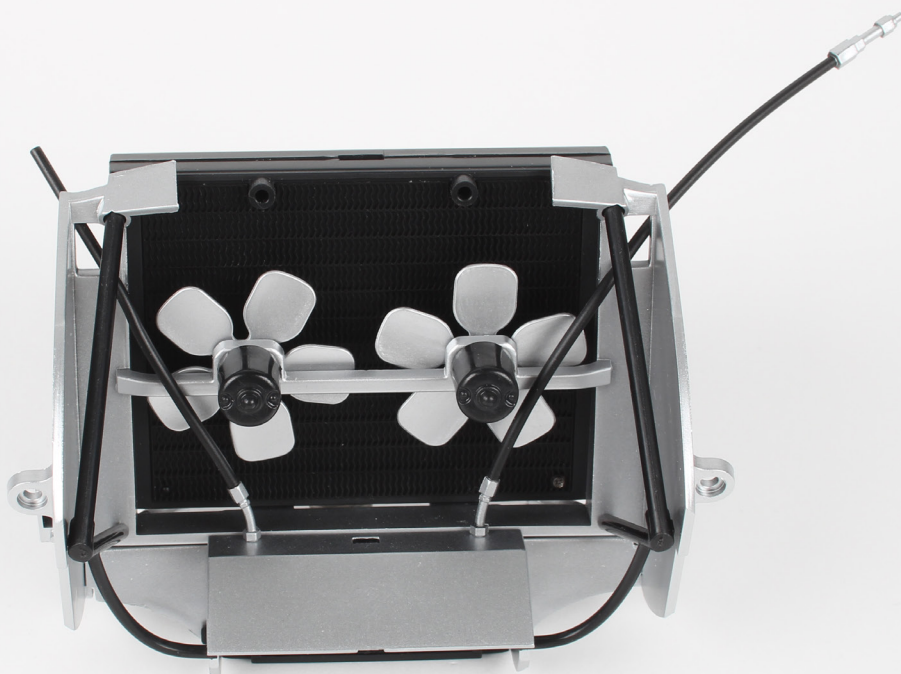


Stage 83: Oil Cooler Brackets And Hoses

CONTINUED...

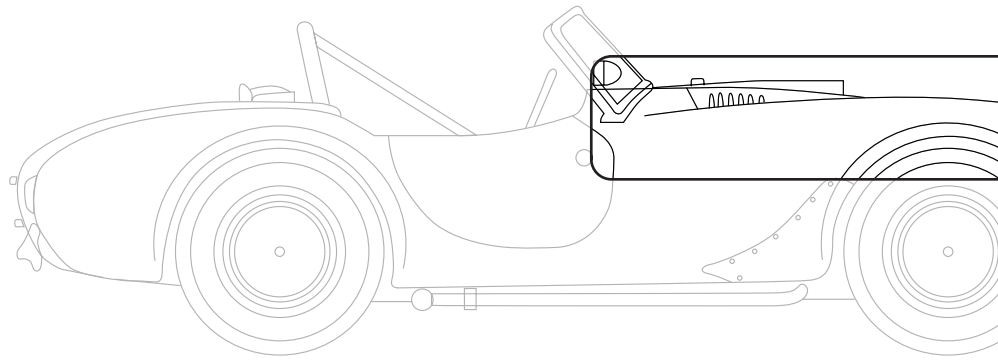


Stage 83 complete!



Stage 84: Air Inlets And Expansion Tank Parts

In stage 84, you will attach the air inlets and expansion tank.



STAGE 84 PARTS LIST

Name	Quantity
Left air inlet	1
Right air inlet	1
Expansion tank bottom	1
Expansion tank top	1
Expansion tank cap	1
Screws TYPE OP08	4
Screws TYPE OP16	2



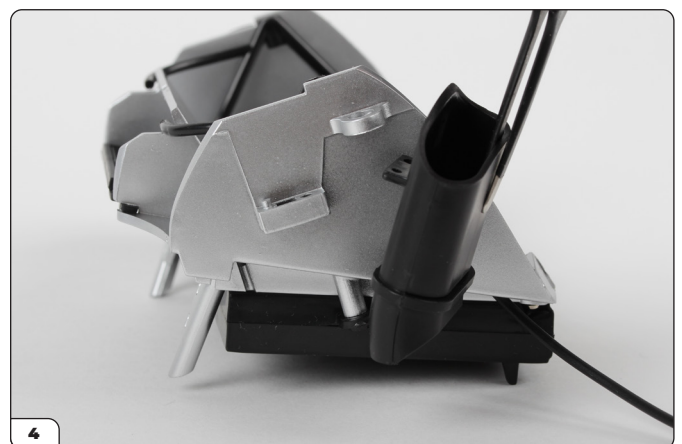
Stage 84: Air Inlets And Expansion Tank Parts

STEP 1

ATTACH THE AIR INLETS

Align the screw holes on the Right Air Inlet with the hole on the Radiator Mounting Frame. Fix in place using a TYPE OP08 screw.

Repeat to fix the Left Air Inlet on the left side of the Radiator Mounting Frame.



Stage 84: Air Inlets And Expansion Tank Parts

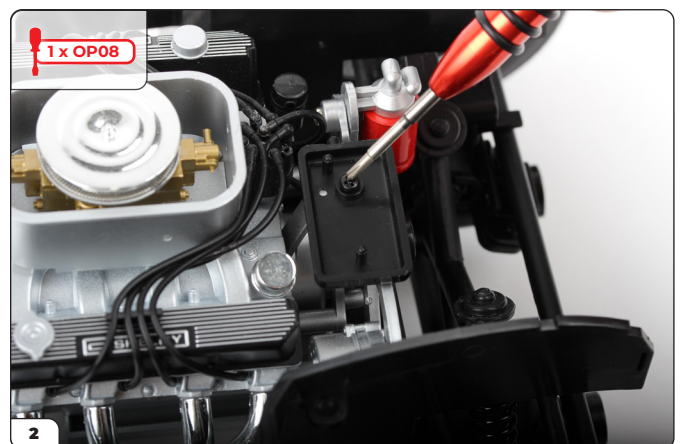
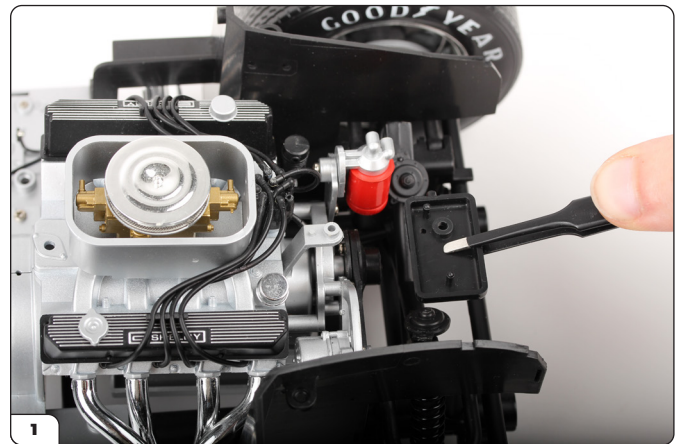
CONTINUED...



STEP 2

ATTACH THE EXPANSION TANK

Align the screw holes on the Expansion Tank Bottom with the bracket as shown in picture 1. Fix in place using a TYPE OP08 screw.

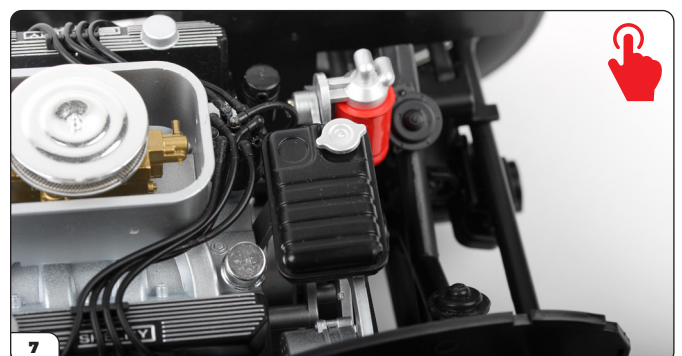
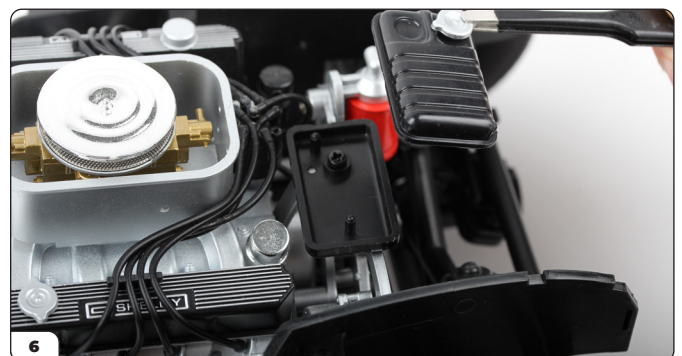


Stage 84: Air Inlets And Expansion Tank Parts

CONTINUED...

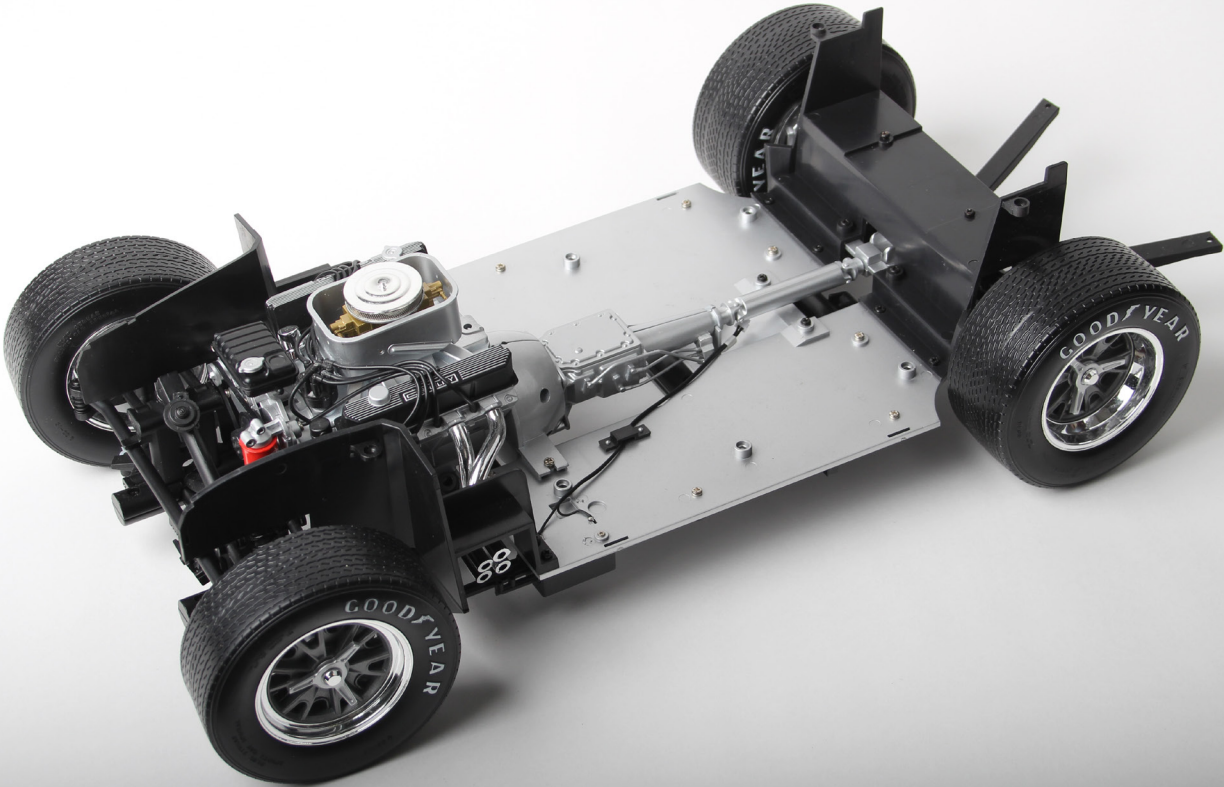
Position the Expansion Tank Cap on the Expansion Tank Top and secure from the underside using a TYPE OP16 screw.

Place the Expansion Tank Top onto the bottom part and push them together to fix.



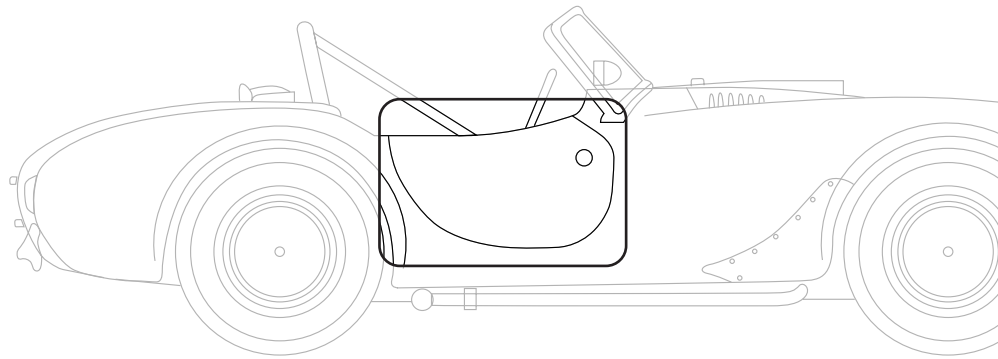
Stage 84: Air Inlets And Expansion Tank Parts

Stage 84 complete!



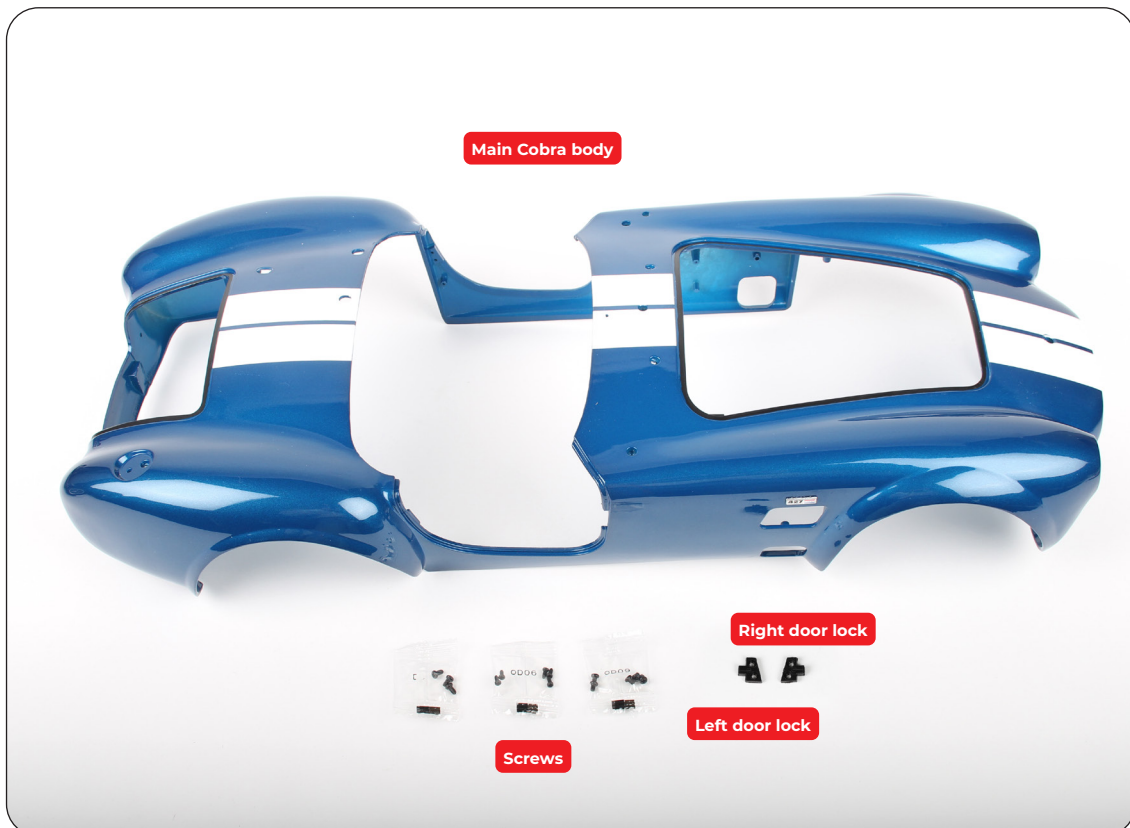
Stage 85: Main Cobra Body & Door Locks

In stage 85 you will attach the doors and dashboard to the Cobra main body.



STAGE 85 PARTS LIST

Name	Quantity
Main Cobra body	1
Left door lock	1
Right door lock	1
Screws TYPE OD06	5
Screws TYPE OD05	3
Screws TYPE OD09	5



Stage 85: Main Cobra Body & Door Locks

STEP 1



ADVICE FROM THE EXPERTS

Save your packaging from the Main Body as it comes in very handy for the next stages.

Always protect your paintwork when working on the model by resting it on a protective surface.

Remember to apply a little lubricant to the screw holes to make it easier to drive the screws home tightly.

ATTACH THE DOOR LOCKS

Align the Right Door Lock with the two corresponding holes on the inside of the Right Door trim. Check you have the correct part: the countersunk holes should face outward so the screw heads will be recessed in these holes. Fix in place with 2 x TYPE OD06 screws.

Repeat with the Left Door Lock on the Left Door trim.



STEP 2

ATTACH THE DASHBOARD

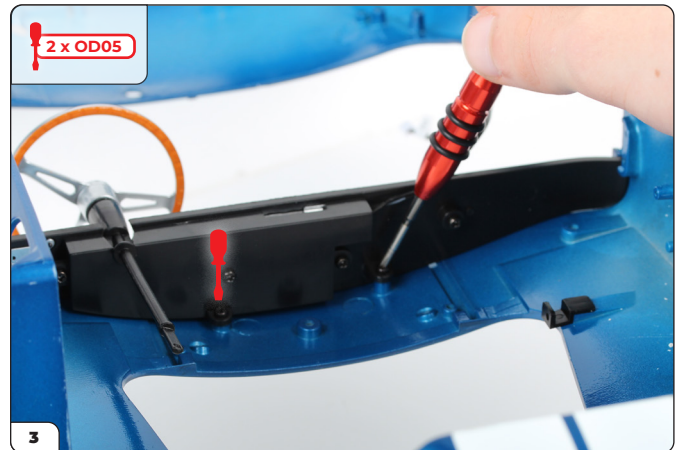
Turn the Main Body upside down and rest the front and rear ends on the packaging.



Stage 85: Main Cobra Body & Door Locks

CONTINUED...

Take the dashboard assembly and lower it into position so that the tabs on each end fit snugly into the grooves on the Main Body. This is a tight fit so wiggle it gently into place. Check that the screw holes on the back of the dashboard are aligned before securing in place with 2 x TYPE OD05 screws.



STEP 3

ATTACH THE DOORS

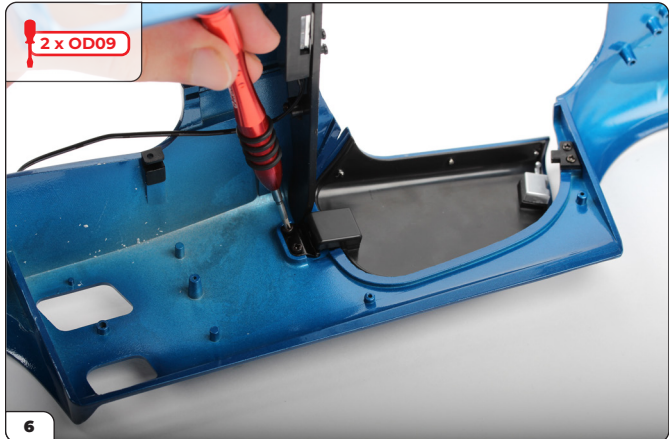
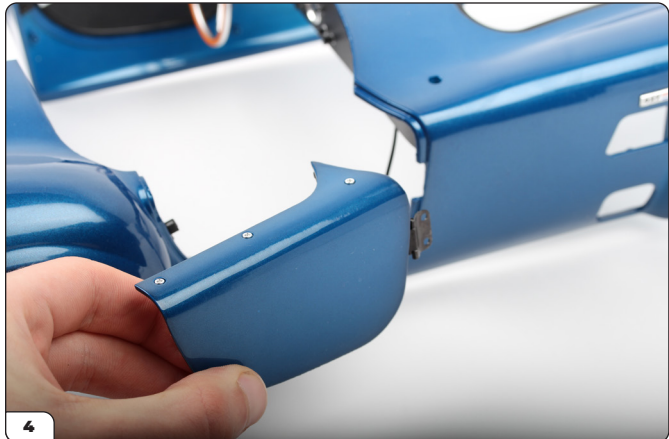
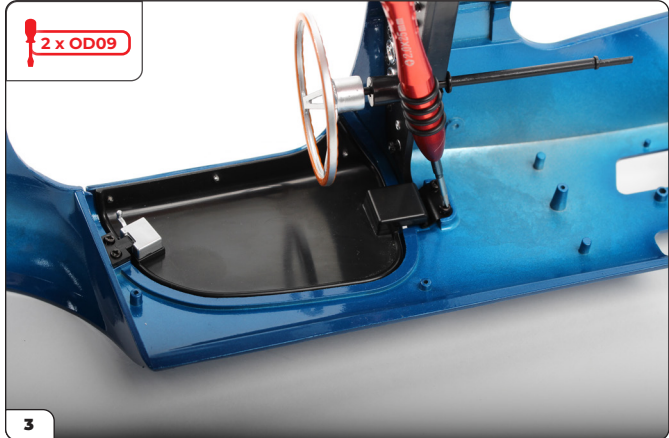
Take the Left Door and position it on the main body, aligning the hinge and lock on the inside with the door in the closed position. Holding the door in place, turn the Main Body on its side and align the door hinge screw holes with those on the Main Body. Fix the hinge in place using 2 x TYPE OD09 screws.

Repeat this operation to attach the Right Door.



Stage 85: Main Cobra Body & Door Locks

CONTINUED...



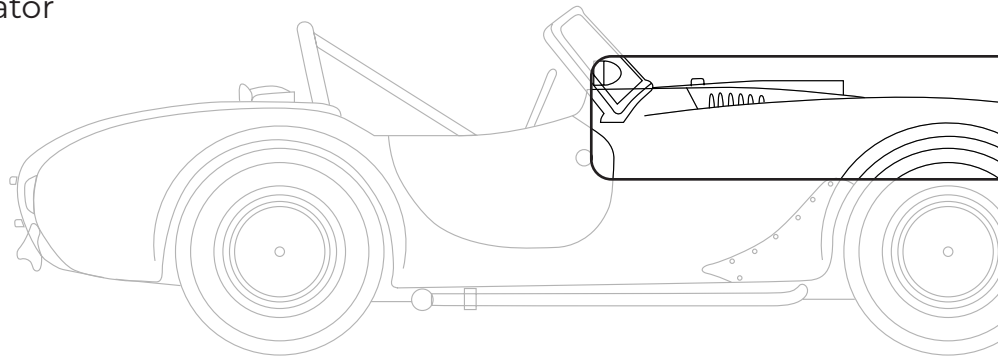
Stage 85: Main Cobra Body & Door Locks

Stage 85 complete!



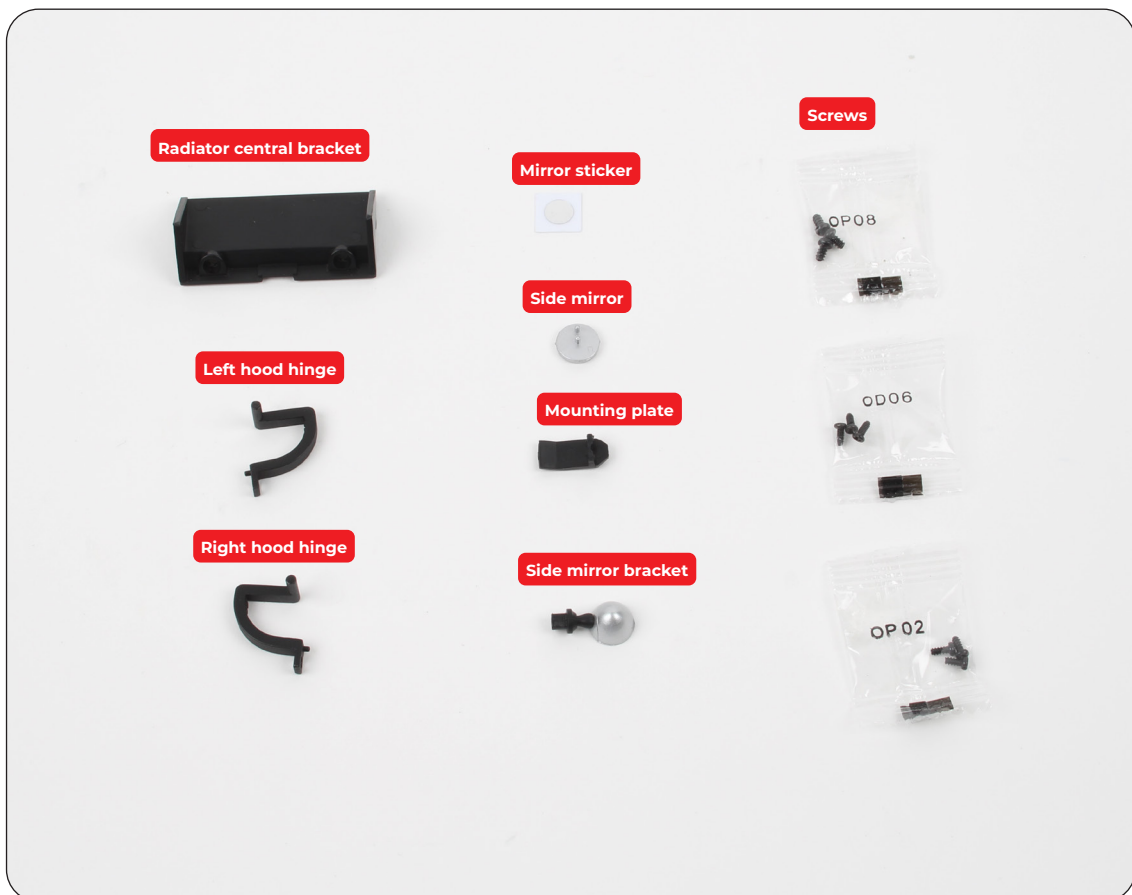
Stage 86: Side Mirror Parts, Radiator Bracket, Hood Hinges & Mounting Plate

In this next stage you will attach the side mirror, hood hinges, radiator bracket and Shelby emblem.



STAGE 86 PARTS LIST

Name	Quantity
Side mirror	1
Side mirror bracket	1
Mirror sticker	1
Radiator central bracket	1
Left hood hinge	1
Right hood hinge	1
Mounting plate	1
Screws TYPE OP02	2
Screws TYPE OP08	4
Screws TYPE OD06	3

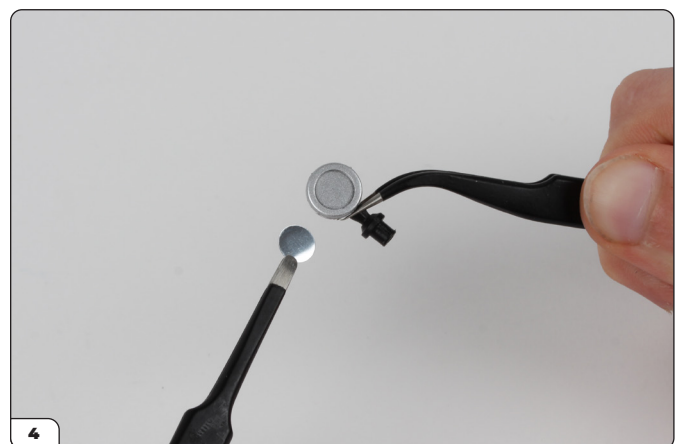
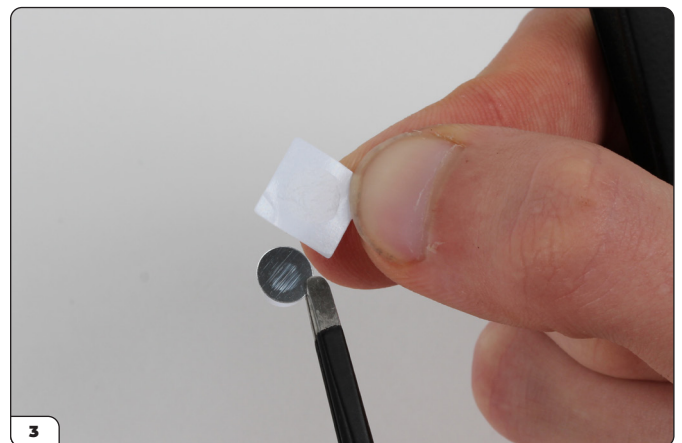
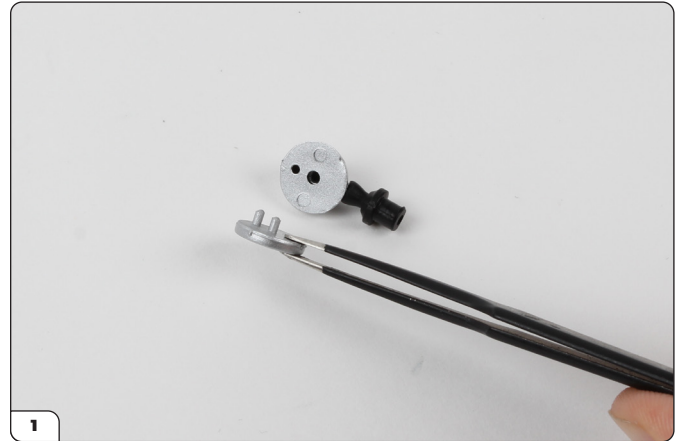


Stage 86: Side Mirror Parts, Radiator Bracket, Hood Hinges & Mounting Plate

STEP 1

ASSEMBLE THE SIDE MIRROR

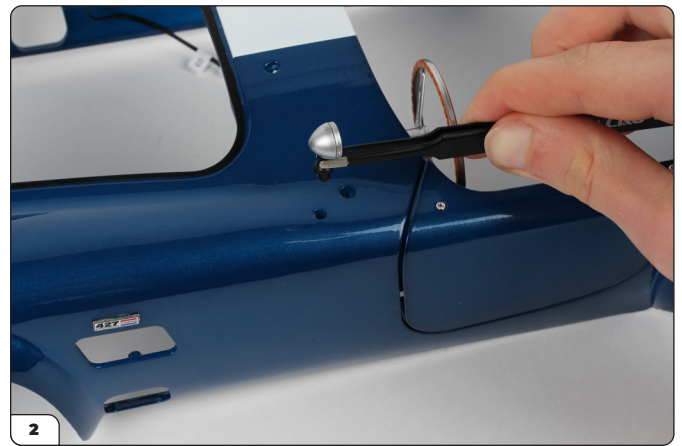
Align the two pins on the Side Mirror with the holes on the Mirror Bracket before pushing them together. Carefully peel the Mirror Sticker from its backing sheet before positioning on the Side Mirror.



Stage 86: Side Mirror Parts, Radiator Bracket, Hood Hinges & Mounting Plate

CONTINUED...

Push the side mirror assembly into the hole on the Main Body. There are two holes, so check you have the correct position – the correct hole is furthest from the steering wheel (picture 3). Fix in place from the underside using a TYPE OP02 screw.

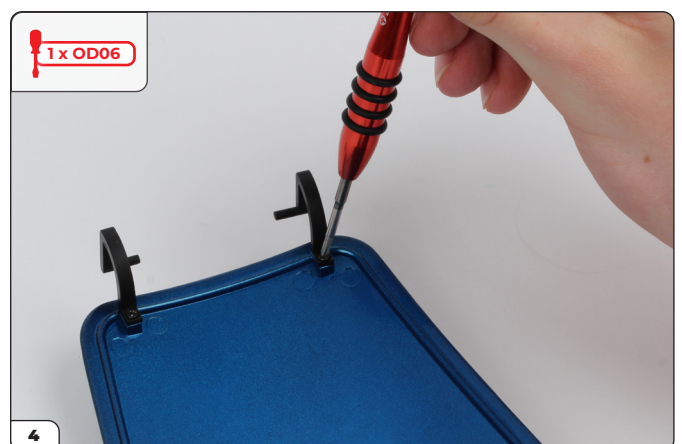


Stage 86: Side Mirror Parts, Radiator Bracket, Hood Hinges & Mounting Plate

STEP 2

FIX THE HOOD HINGES TO THE HOOD

Take the Right Hood Hinge and sit it squarely over the screw hole on the underside of the Hood. Fix in place with a TYPE OD06 screw. Repeat with the Left Hood Hinge on the left side.



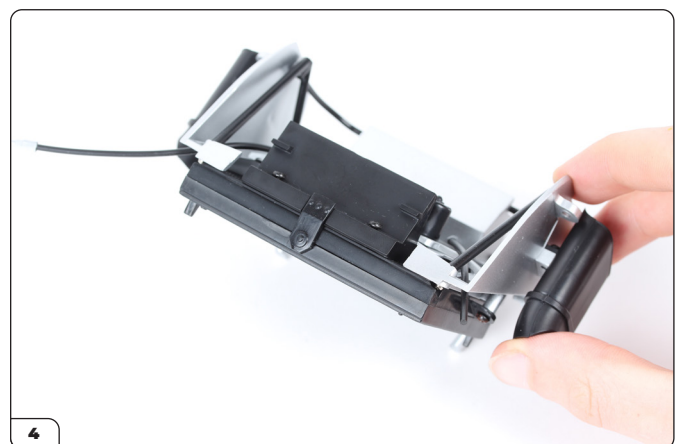
Stage 86: Side Mirror Parts, Radiator Bracket, Hood Hinges & Mounting Plate

STEP 3

ATTACH THE RADIATOR BRACKET TO THE RADIATOR

Sit the Radiator Central Bracket on the top edge of the Radiator. Check the two screw holes are aligned and fix into position using 2 x OP08 screws. If necessary, fix the Radiator Central Bracket with superglue.

Push the Mounting Plate into the slot on the Radiator so that the front edge of the Mounting Plate fits over the Radiator Central Bracket.

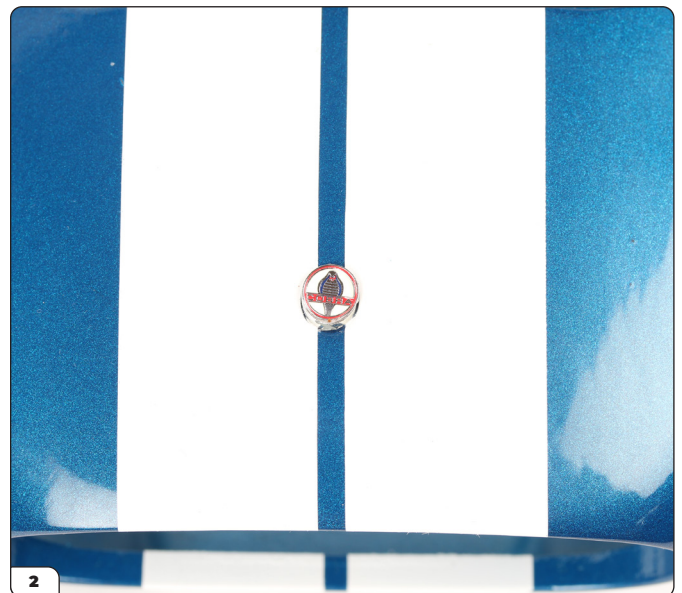


Stage 86: Side Mirror Parts, Radiator Bracket, Hood Hinges & Mounting Plate

STEP 4

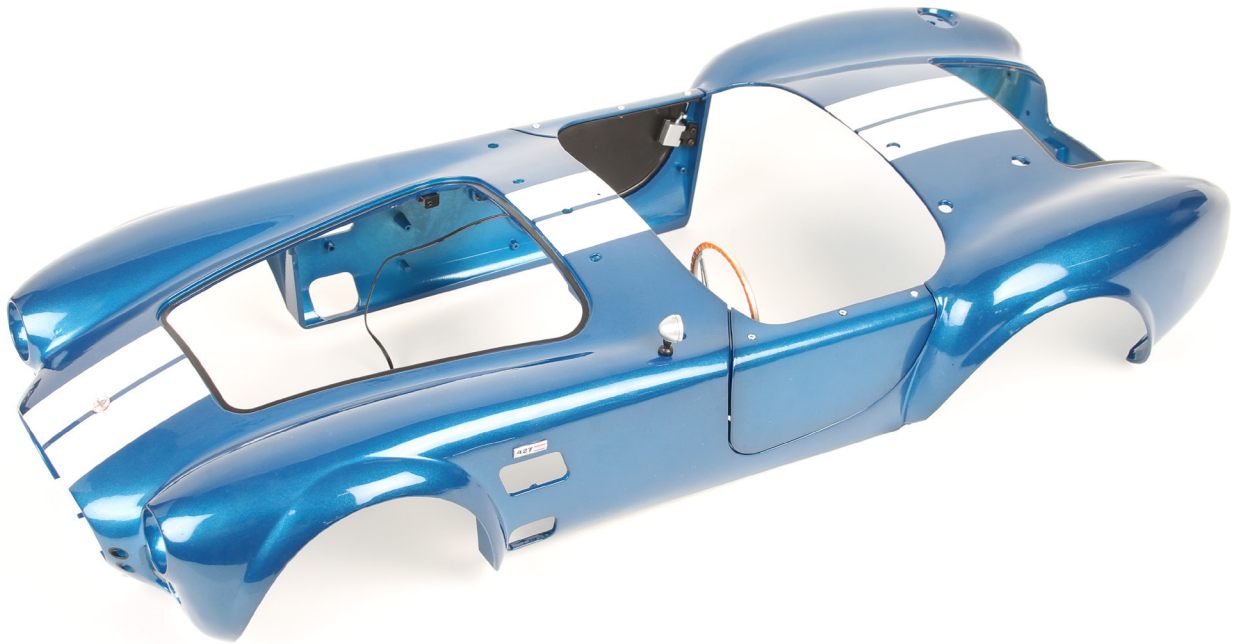
ATTACH THE SHELBY EMBLEM TO THE MAIN BODY

Place the Shelby Emblem (from pack 1) into the hole in the front of the Main Body. Hold it in place and turn the Main Body over to fix the Emblem in place using a TYPE OP08 screw



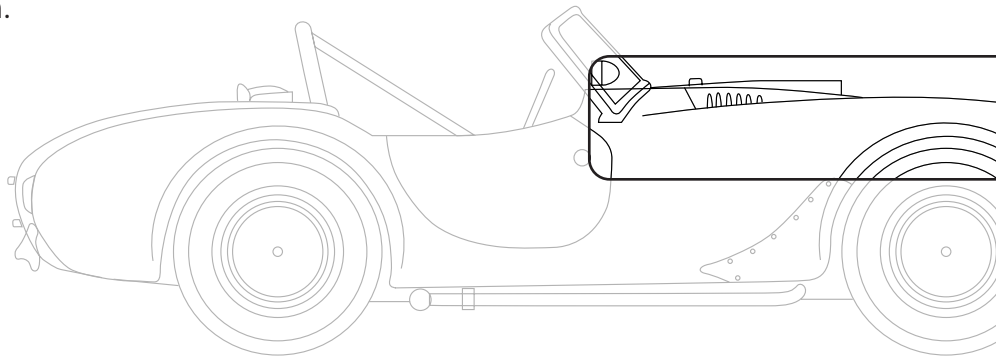
Stage 86: Side Mirror Parts, Radiator Bracket, Hood Hinges & Mounting Plate

Stage 86 complete!



Stage 87: Left Inner Side Panel & Door Arch Trim

In stage 87 you will attach an inner side panel with door arch trim.



STAGE 87 PARTS LIST

Name	Quantity
Left inner side panel	1
Door arch trim	1
Screws TYPE OD08	4

Left inner side panel



Door arch trim



Screws



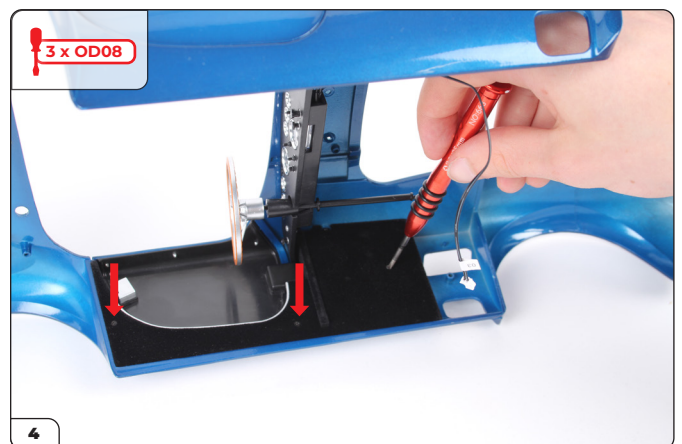
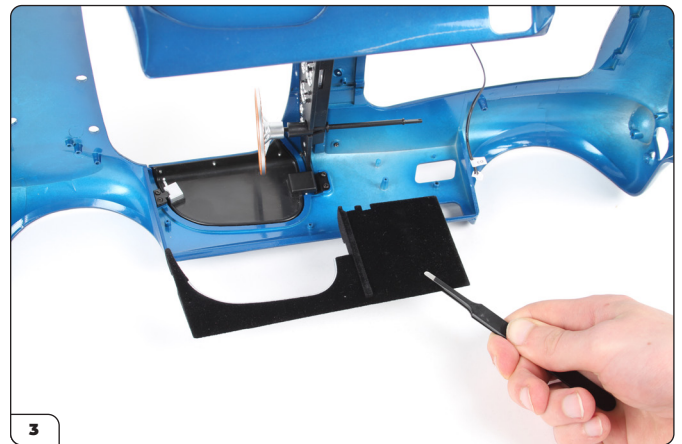
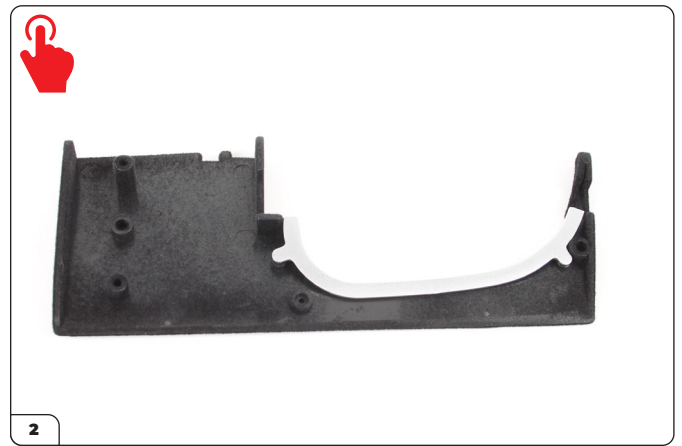
Stage 87: Left Inner Side Panel & Door Arch Trim

STEP 1

FIX THE TRIM TO THE INNER SIDE PANEL

Align the two pins on the Door Arch Trim with the holes on the underside of the Left Inner Panel.

Push together to fix in place. Next, with the right side facing you, fit the Trim into position around the inside of the Left Door. Secure in place using 3 x TYPE OD08 screws.



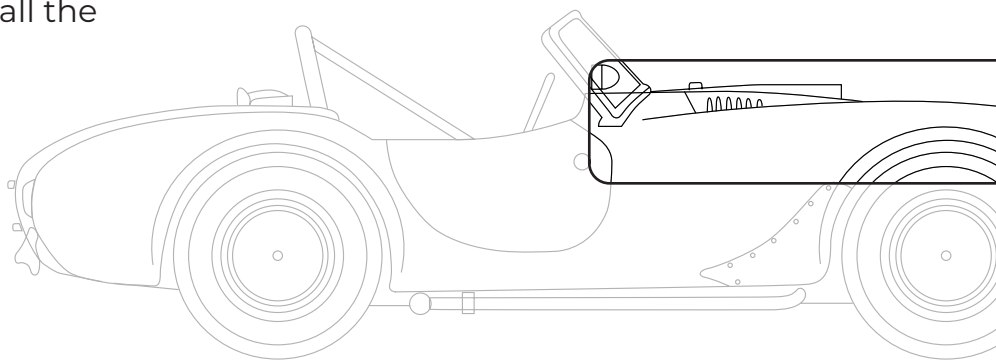
Stage 87: Left Inner Side Panel & Door Arch Trim

Stage 87 complete!



Stage 88: Right Inner Side Panel & Door Arch Trim

In stage 88, you will attach the right door inner side panel and install the firewall.



STAGE 88 PARTS LIST

Name	Quantity
Right inner side panel	1
Door arch trim	1
Screws TYPE OD08	4
Screws TYPE OD03	3

Right inner side panel



Door arch trim



Screws

OD08

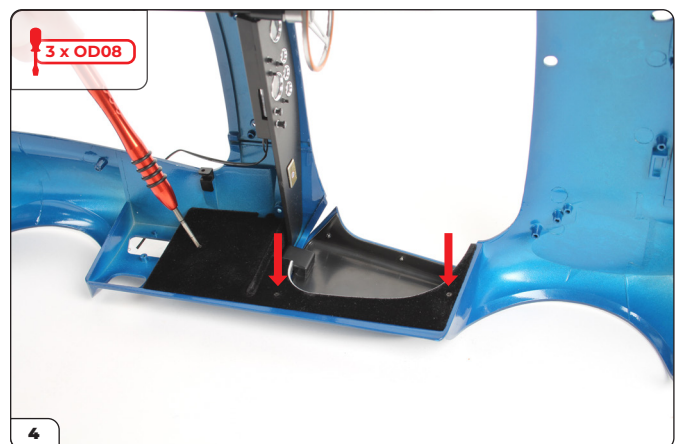
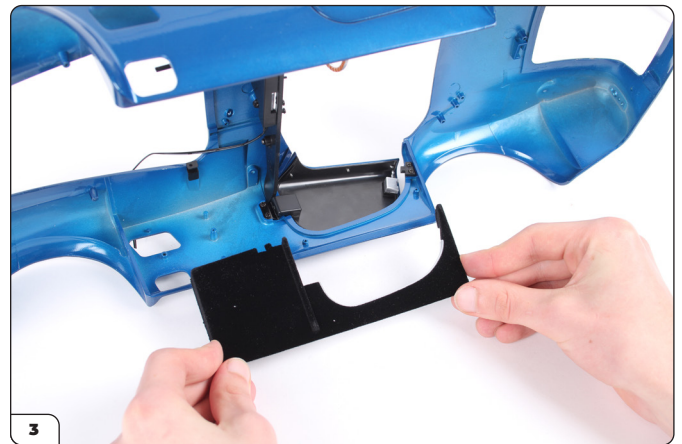
OD03

Stage 88: Right Inner Side Panel & Door Arch Trim

STEP 1

FIX THE TRIM TO THE INNER SIDE PANEL

Align the two pins on the Door Arch Trim with the holes on the underside of the Right Inner Panel. Push together to fix in place. Next, with the right side facing you, fit the Trim into position around the inside of the Right Door. Secure in place using 3 x TYPE OD08 screws.

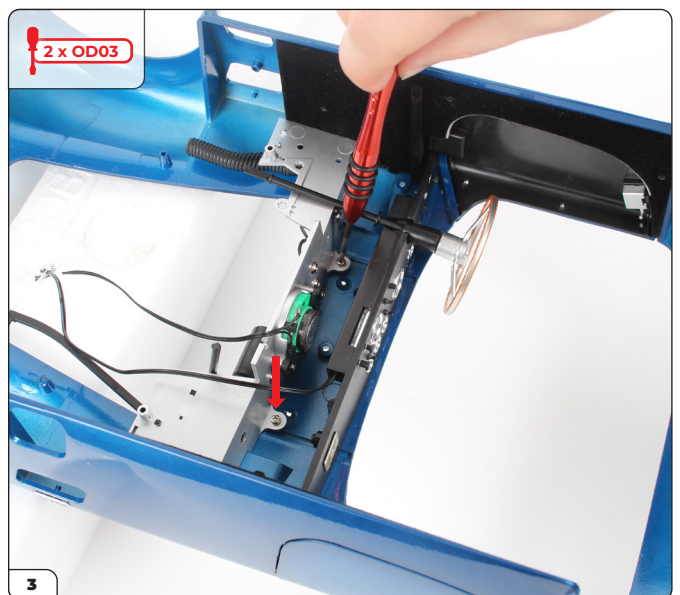
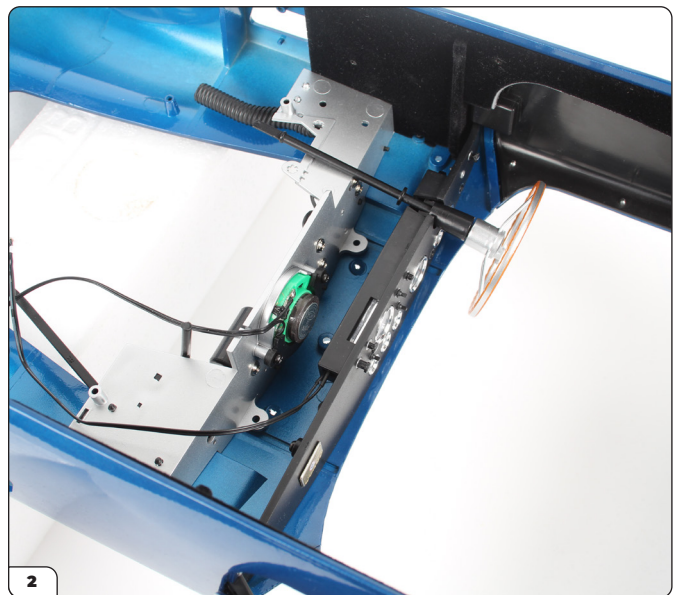
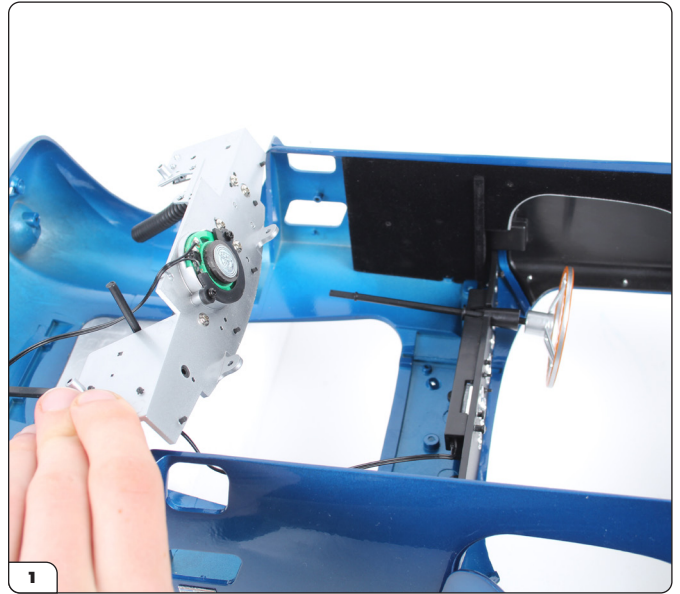


Stage 88: Right Inner Side Panel & Door Arch Trim

STEP 2

INSTALL THE FIREWALL

With the underside of the Main Body facing you, align the two tabs on the Firewall with the two raised screw holes just behind the Dashboard. Secure in place with 2 x TYPE OD03 screws.



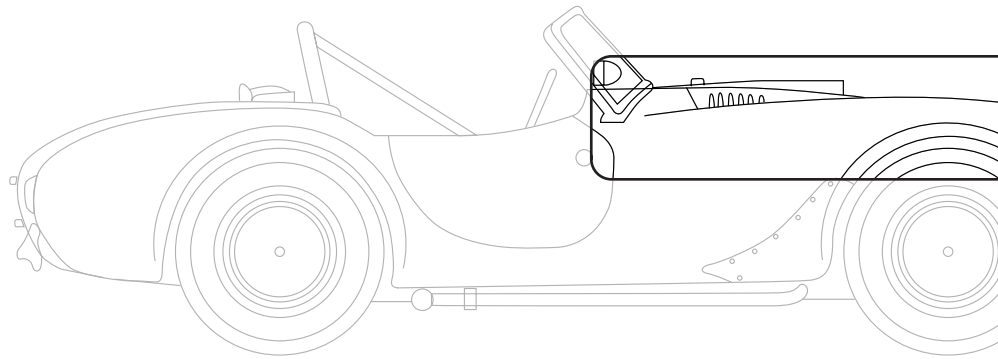
Stage 88: Right Inner Side Panel & Door Arch Trim

Stage 88 complete!



Stage 89: Electrical Wires

In this next stage you will add some electrical wires.



STAGE 89 PARTS LIST

Name	Quantity
Electrical wire 1	1
Electrical wire 2	1
Electrical wire 3	1
Electrical wire 4	1
Electrical wire 5	1
Electrical wire 6	1
Electrical wire 7	1
Electrical wire 8	1
Electrical wire 9	1
Electrical wire 10	1

Electrical wires 1 - 10



Stage 89: Electrical Wires

STEP 1

ADD WIRING TO THE FUEL TANK ASSEMBLY

Connect each of the ten wires to its number-matched pair on the Fuel Tank Assembly.

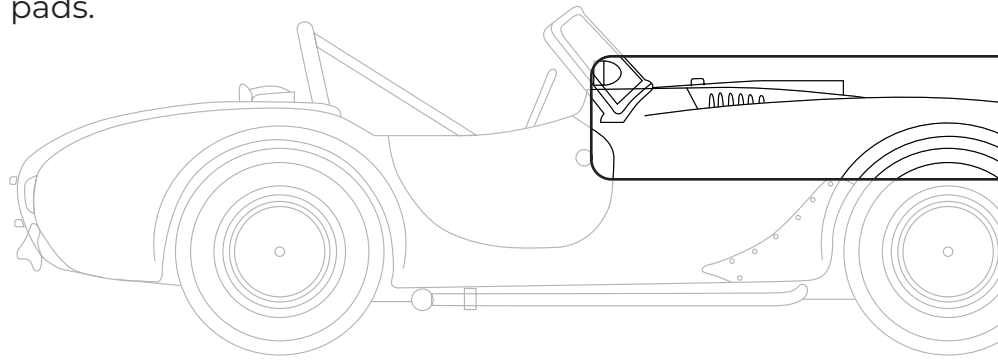


Stage 89 complete!



Stage 90: Left Fender Grille & Jacking Pads

In stage 90 you will attach the left front fender grille and jacking pads.



STAGE 90 PARTS LIST

Name	Quantity
Left front fender grille	1
Left jacking pad	1
Right jacking pad	1
Screws TYPE OP02	3
Screws TYPE OD03	2

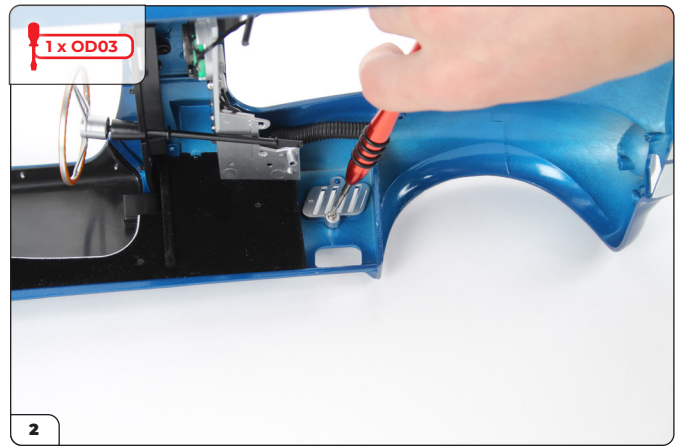
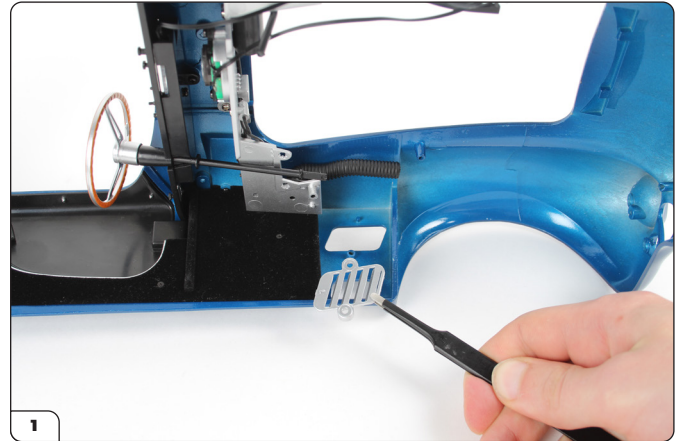


Stage 90: Left Fender Grille & Jacking Pads

STEP 1

ATTACH THE LEFT FENDER GRILLE

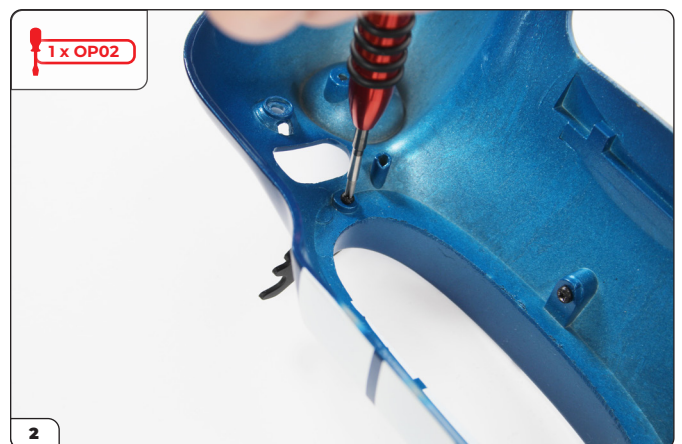
Turn the Main Body in its side so that you can access the inner left side. Position the Left Fender Grille in the opening just behind the wheel arch. Align the two screw holes and fix in place with a TYPE OD03 screw.



STEP 2

FIX THE JACKING PADS IN PLACE

Align the Left Jacking Pad with the two vertical holes on the front end of the Main Body, checking that the silver post heads are on the outer side of the body. Fix in place from the reverse side using a TYPE OP02 screw.



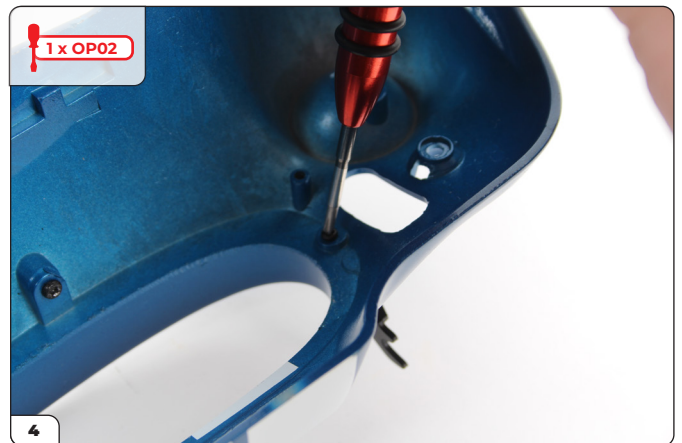
Stage 90: Left Fender Grille & Jacking Pads

CONTINUED...

Repeat on the right side to fix the Right jacking Pad.



Please keep the polystyrene packaging for use when assembling your next Pack.



Stage 90 complete!

