

---

1967

**SHELBY GT500**

# SUPER SNAKE

---

**1:8 SCALE**



## Pack 12 | Build Instructions

Your Shelby GT500 Super Snake is a finely detailed model replicating every aspect of the original car. From the paint color to the smallest interior details, every piece is precisely reproduced. **To finish building your model, you will also need 3 x LR4G or AG13 batteries.**

In your twelfth model pack, you will assemble:

**STAGE 91: WINDSHIELD**

**STAGE 96: DOOR TRIM AND SILL PLATES**

**STAGE 92: WINDSHIELD FRAME  
AND WIPERS**

**STAGE 97: HEADLINER**

**STAGE 93: UPPER VENT GRILLE**

**STAGE 98: SUN VISORS & REAR VIEW MIRROR**

**STAGE 94: REAR WINDOW**

**STAGE 99: REAR VALANCE, FOG LIGHTS &  
CONNECTING THE BODY TO THE CHASSIS**

**STAGE 95: REAR WINDOW FRAME & RADIO  
ANTENNA**

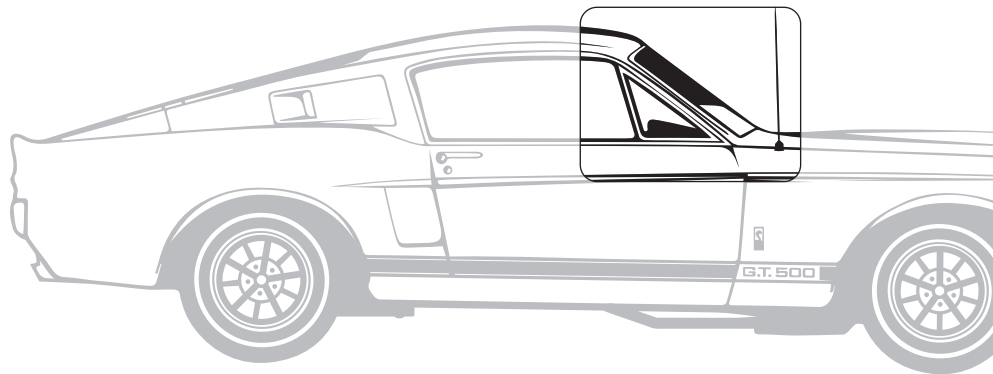
**STAGE 100: REAR BUMPER, FRONT & REAR  
LICENSE PLATES**

---

**AGORA**  
MODELS

## Stage 91: Windshield

The windshield will be fixed with parts in the next stage. For now, open the packaging and move on to stage 92.



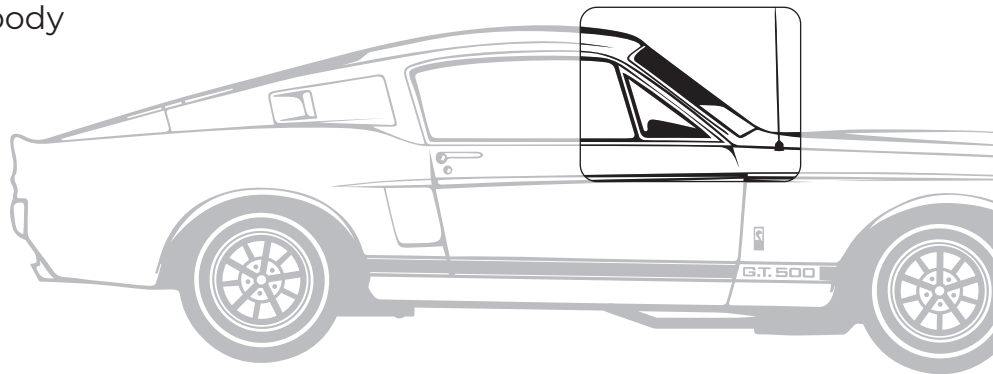
### STAGE 91 PARTS LIST

Name	Quantity
Windshield	1



## Stage 92: Windshield Frame and Wipers

You will now fix the windshield and windshield frame to the body section of your Super Snake.



### STAGE 92 PARTS LIST

Name	Quantity
Windshield Frame	1
Windshield Wiper L	1
Windshield Wiper R	1



# Stage 92: Windshield Frame and Wipers

## STEP 1

### ATTACH THE WINDSHIELD FRAME & WINDSHIELD

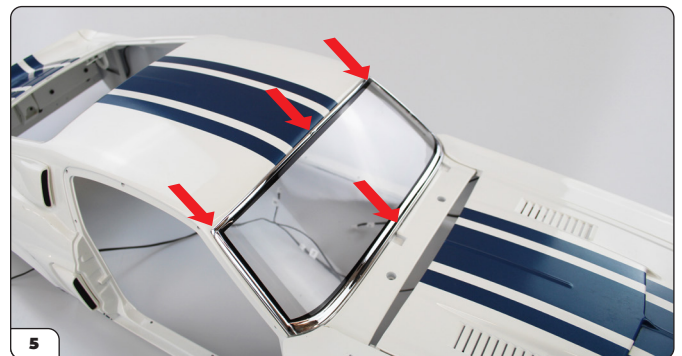
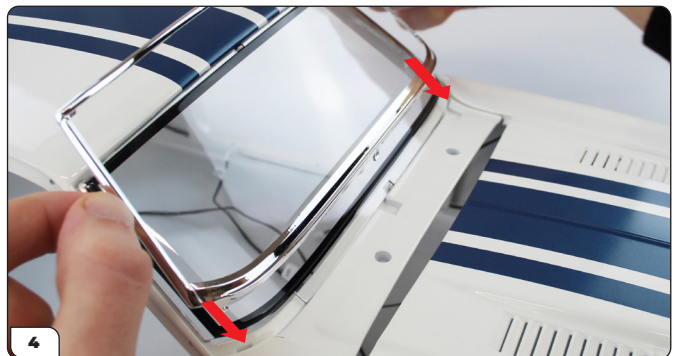
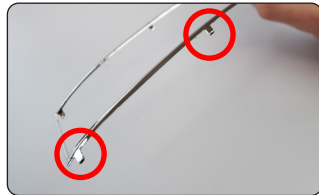
Introduce the windshield to the car body as shown, resting it in place. Then take the Windshield Frame, observing the tabs around the edge. Position the frame over the Windshield, tucking the tabs into their lower holes indicated by the arrows. Push the outer two tabs in firmly before pushing the centre tab. Follow with the tabs on the upper part of the frame.

The Windshield Wipers will be attached in the next stage.



#### ADVICE FROM THE EXPERTS

Be careful to only push on the window frame, not the window itself.



## Stage 92: Windshield Frame and Wipers

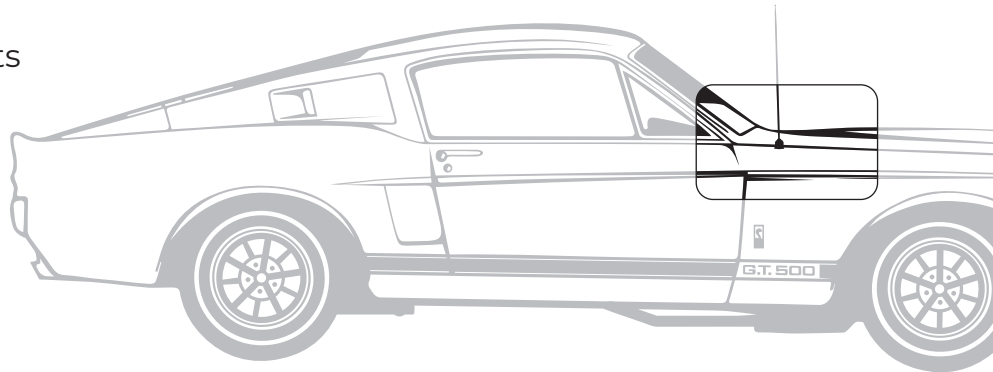
---

**Stage 92 complete!**



## Stage 93: Upper Vent Grille

You will fix the windshield wipers to the upper vent grille and install the assembled parts to the hood section.



### STAGE 93 PARTS LIST

Name	Quantity
Upper Vent Grille	1
Screws TYPE MD06	3 [including 1 spare]
Screws TYPE MP08	3 [including 1 spare]

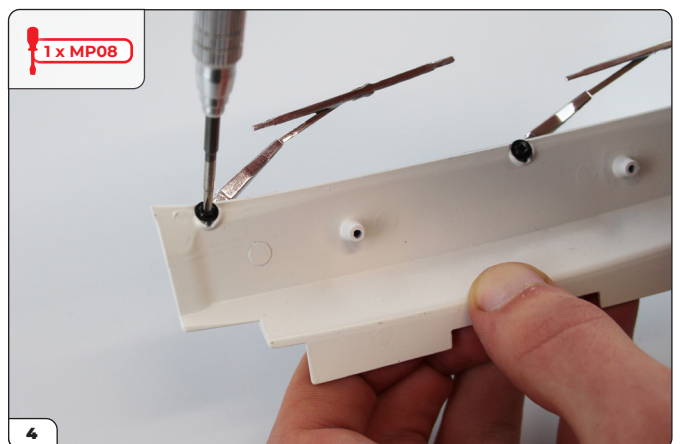
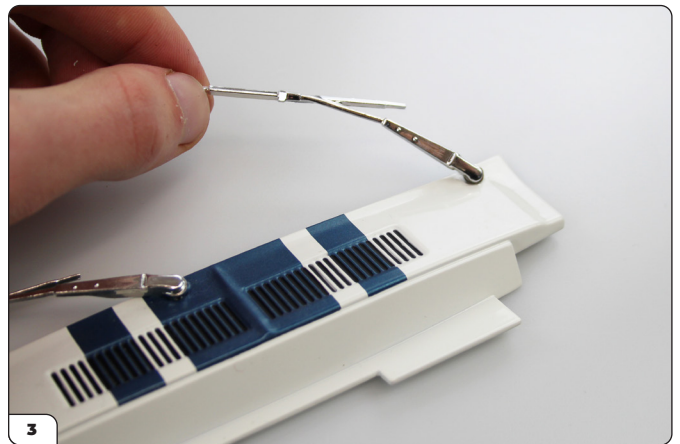
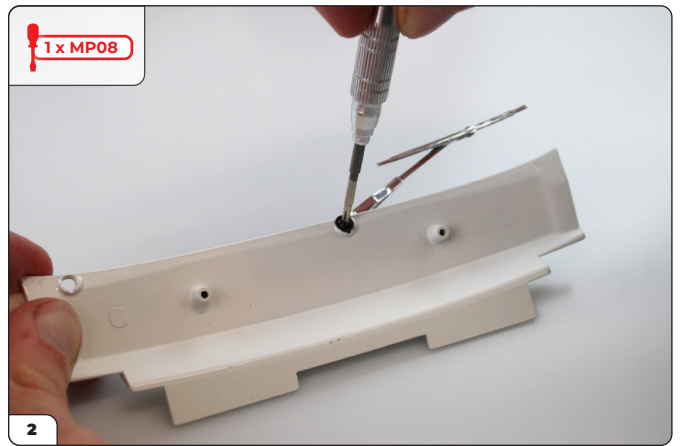
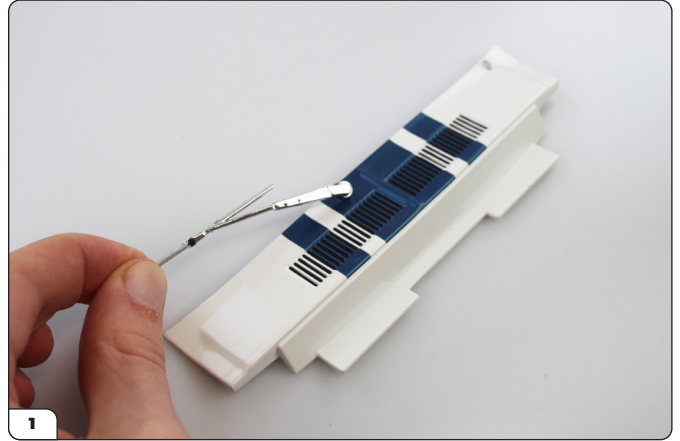


# Stage 93: Upper Vent Grille

## STEP 1

### FIX THE WIPERS TO THE GRILLE

Take the wiper marked R and position it on the grille as shown. Holding it in position, secure in place on the reverse side with an MP08 screw. Repeat with the wiper marked L on the left side of the grille. There is a notch in the wiper pegs to make sure they sit at the correct 'parked' angle.

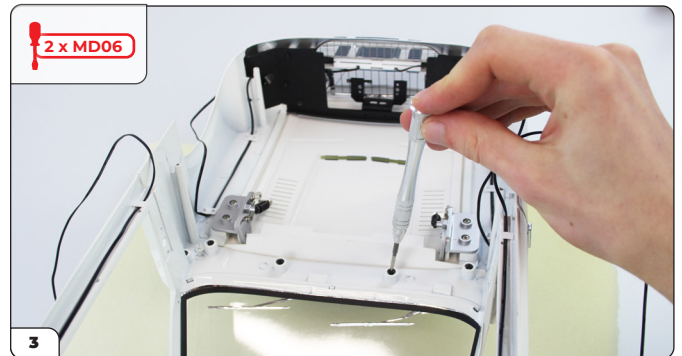
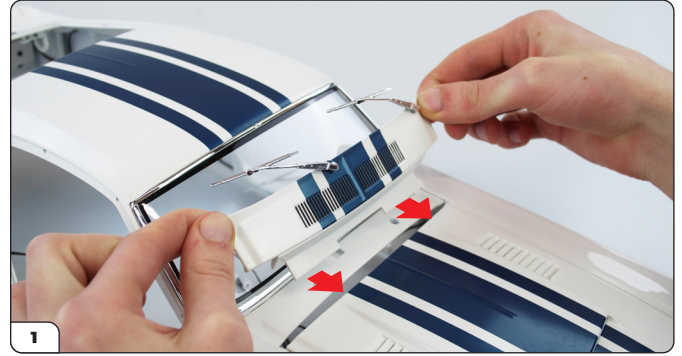


# Stage 93: Upper Vent Grille

## STEP 2

### INSTALL THE UPPER VENT GRILLE

Fit the Grille between the windshield and the hood as shown. Check it is correctly aligned and secure in place from the underside of the body using 2 x TYPE MD06 screws. Note: please follow the usual precautions when turning the bodywork upside down. **Ensure you have a soft cloth or piece of foam on your worksurface to protect the paintwork!**



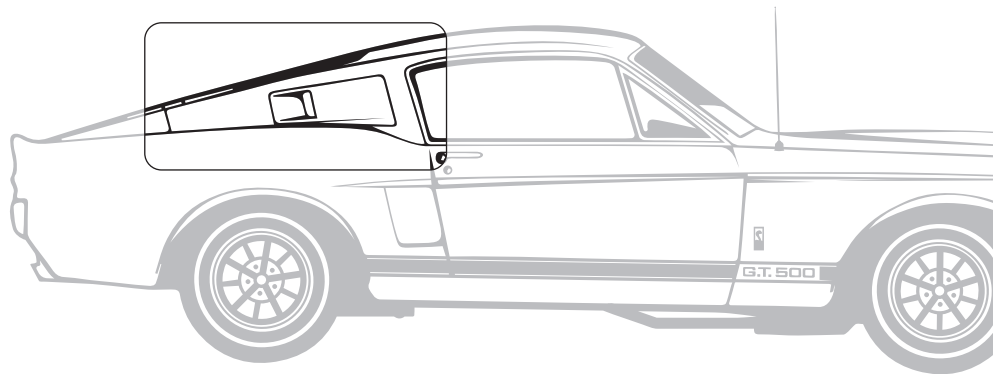
## Stage 93 complete!





## Stage 94: Rear Window

Just as for the front windshield, the rear window will be fixed along with the frame in the next stage. For now, remove the rear window from its packaging.



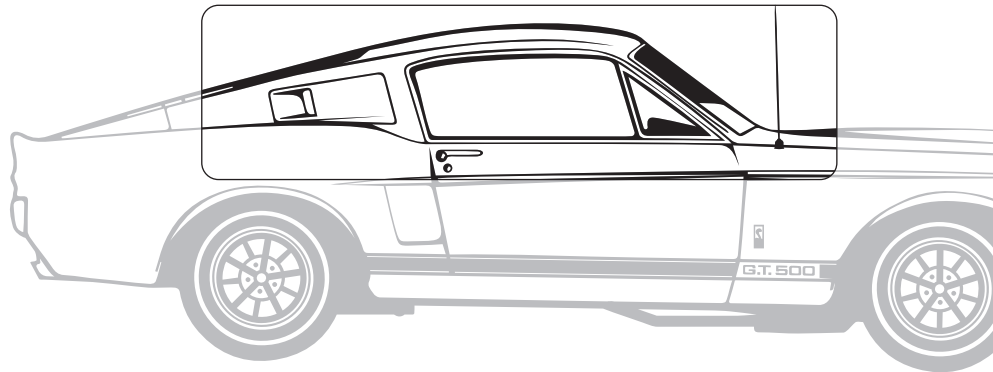
### STAGE 94 PARTS LIST

Name	Quantity
Rear Window	1



## Stage 95: Rear Window Frame & Radio Antenna

You will now fix the rear window with the frame.



### STAGE 95 PARTS LIST

Name	Quantity
Rear Window Frame	1
Radio Antenna	1
Screws TYPE MP02	2 [including 1 spare]



# Stage 95: Rear Window Frame & Radio Antenna

## STEP 1

### FIT THE REAR WINDOW

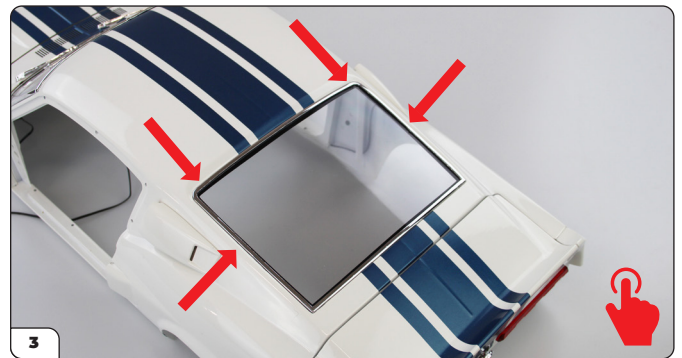
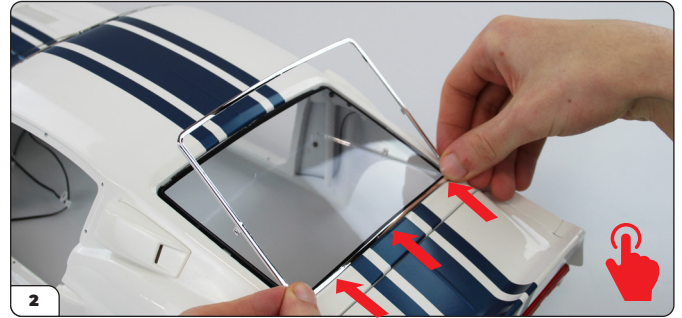
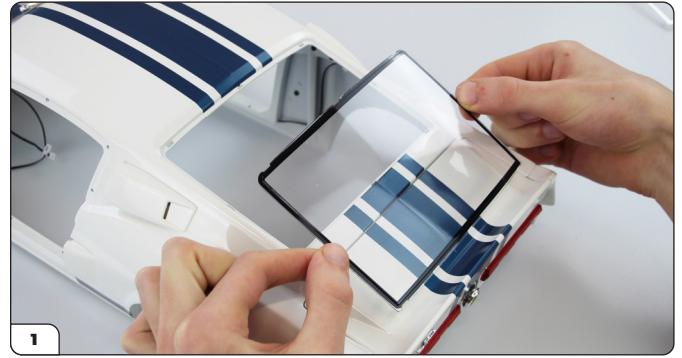
Introduce the Rear Window to the rear of the body as shown. Rest it in place. Then take the Rear Window Frame and install it by first aligning the tabs along its bottom edge with the corresponding holes. Push firmly into position, starting from the outer tabs and working inwards. Repeat along the upper edge of the Window Frame, pushing the tabs firmly into place.

Keep the Radio Antenna for installation in a later stage.



### ADVICE FROM THE EXPERTS

Be careful to only push on the window frame, not the window itself.

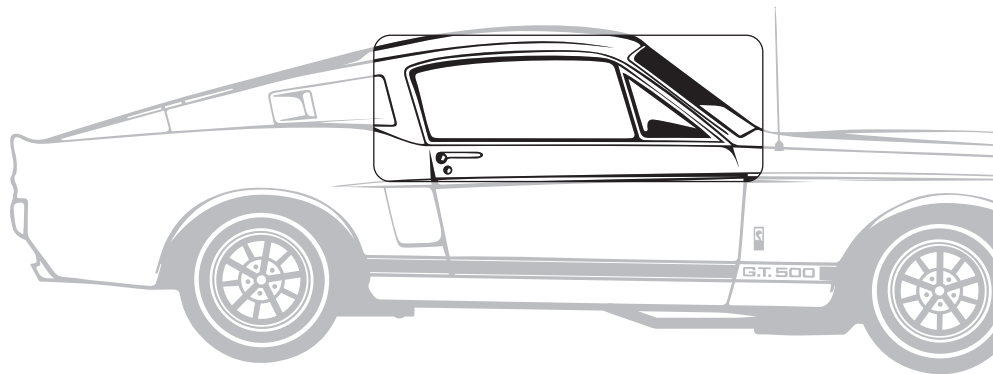


## Stage 95 complete!



## Stage 96: Door Trim and Sill Plates

In this stage you will attach the door trim and sill plates.



### STAGE 96 PARTS LIST

Name	Quantity
Door Trim L	1
Door Trim R	1
Door Sill Plate L	1
Door Sill Plate R	1
Screws TYPE MD13	3 [including 1 spare]



# Stage 96: Door Trim and Sill Plates

## STEP 1

### ATTACH THE RIGHT DOOR TRIM & SILL PLATE

Align the lugs on the Door Trim with the door frame as shown. Press along the trim to fix it firmly into position. Take the Right Door Sill Plate and align it along the bottom of the door frame. Push the lugs into the corresponding holes to fix it into position. Note: the curved part of the Sill Plate faces the rear of the car. Repeat these steps for the Left Door Trim and Sill Plate.

Keep the MD13 screws for use in the next stage.



## Stage 96: Door Trim and Sill Plates

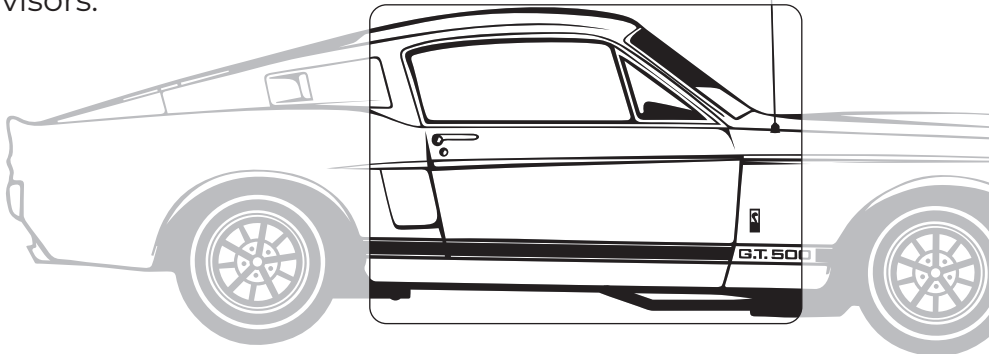
---

**Stage 96 complete!**



# Stage 97: Headliner & Attaching the Doors

Your Super Snake headliner will be fixed in the next stage with the sun visors. First, you will attach the doors.



## STAGE 97 PARTS LIST

Name	Quantity
Headliner	1



# Stage 97: Headliner & Attaching the Doors

## STEP 1

### ATTACHING THE RIGHT DOOR

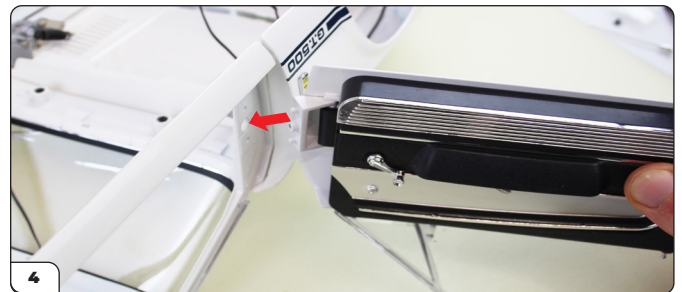
With the body on its side, align the left door hinge with the corresponding holes on the body as shown. Secure the parts together using a TYPE MD13 screw. Turn the body over and check that the door opens and closes correctly. Repeat to attach the right door.

The Headliner will be fixed into place with further components in the next stage.



### ADVICE FROM THE EXPERTS

Hold the door closed while you tighten the screw to make sure the door fits properly.





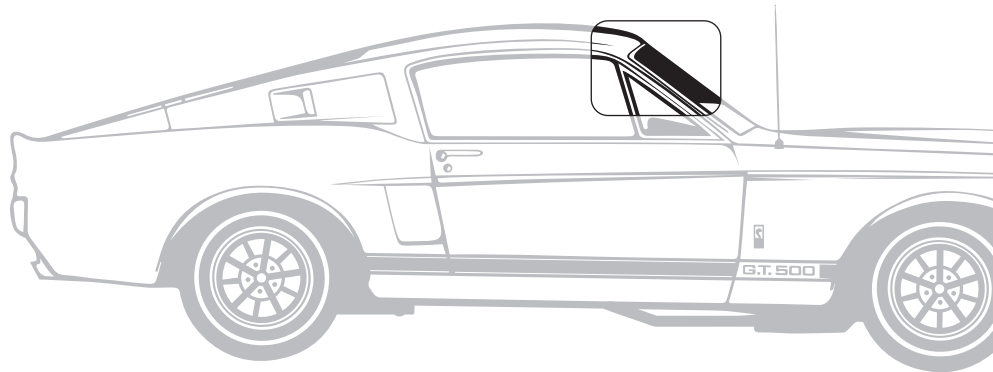
## Stage 97: Headliner & Attaching the Doors

**Stage 97 complete!**



## Stage 98: Sun Visors & Rear View Mirror

In the next stage you will attach the sun visors and rear view mirror to the headliner before installing them to the interior of the body. Finally, the radio antenna will be fixed in place.



### STAGE 98 PARTS LIST

Name	Quantity
Sun Visor L	1
Sun Visor R	1
Rear View Mirror	1
Rear View Mirror Bracket	1
Screws TYPE MD06	7 [including 1 spare]
Screws TYPE MD14	3 including 1 spare]
Screws TYPE MP05	2 [including 1 spare]

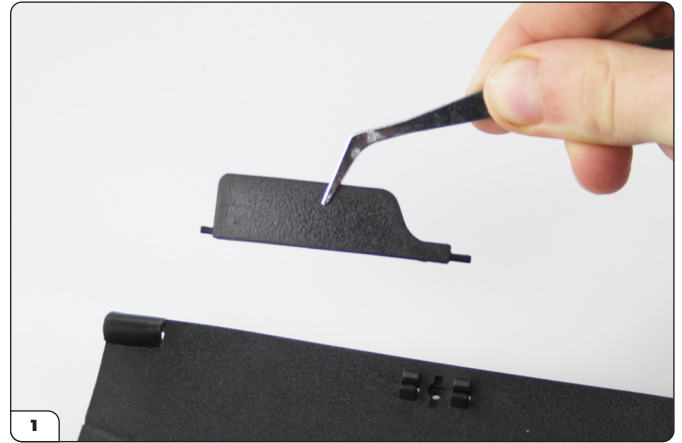


# Stage 98: Sun Visors & Rear View Mirror

## STEP 1

### FIX THE SUN VISORS AND REAR VIEW MIRROR TO THE HEADLINER

Align the Right Sun Visor with the grooves on the Headliner as shown. Insert the lug on the outer end of the visor in the hole, and then press to engage it in the central grooves. Repeat to fix the Left Sun Visor into position. Now take the Rear View Mirror and the Bracket, assembling the two parts as shown. They can only be assembled in one position. Gently push the lug on the Bracket into the hole behind the Mirror.



# Stage 98: Sun Visors & Rear View Mirror

## CONTINUED...

Position the other end of the Bracket between the two Sun Visors as shown. Fix into place with a TYPE MP05 screw. Check that both Sun Visors swing up and down correctly.

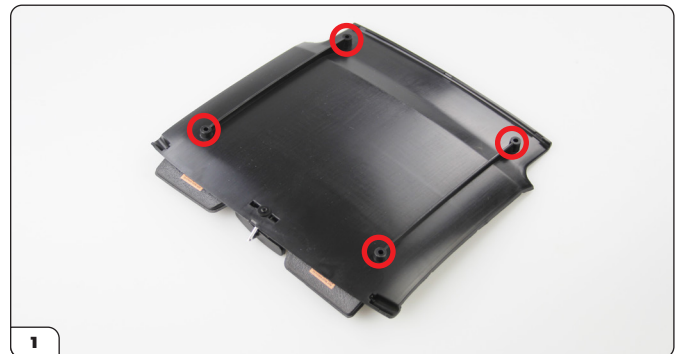


## STEP 2

### ATTACH THE HEADLINER TO THE INTERIOR OF THE ROOF

Check your work surface has anti-scratch protection in place.

There are four fixing points for the Headliner as shown in picture 1. With the body on its roof, align these points with the corresponding lugs on the interior of the body and push firmly to secure in place.



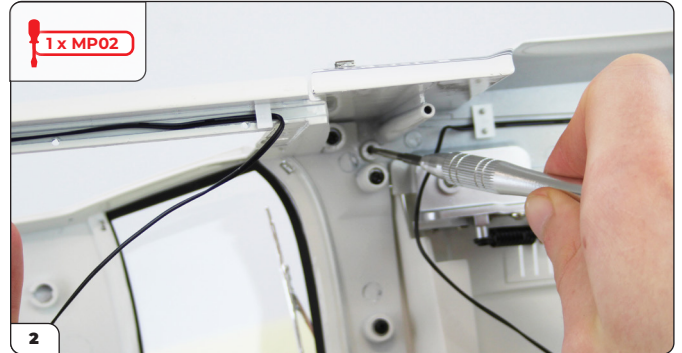
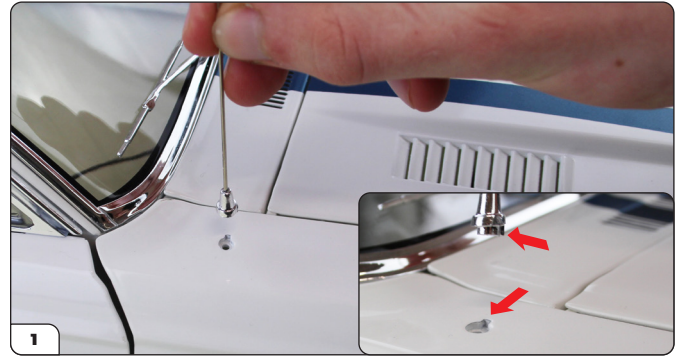
# Stage 98: Sun Visors & Rear View Mirror

## STEP 3

### ATTACH THE RADIO ANTENNA

Insert the base of the Antenna into the tiny hole on the body as shown. There is only one way to correctly fit this part, determined by the notch on the end of the Antenna (see picture 1 inset). Turn the body onto its side and fix from the underside using a TYPE MP02 screw. From now on, please take care when turning the body over as it is very easy to snap the Antenna. If this does happen, it can easily be fixed with a tiny drop of glue.

The MD06 and MD14 screws will be used in the next stage.

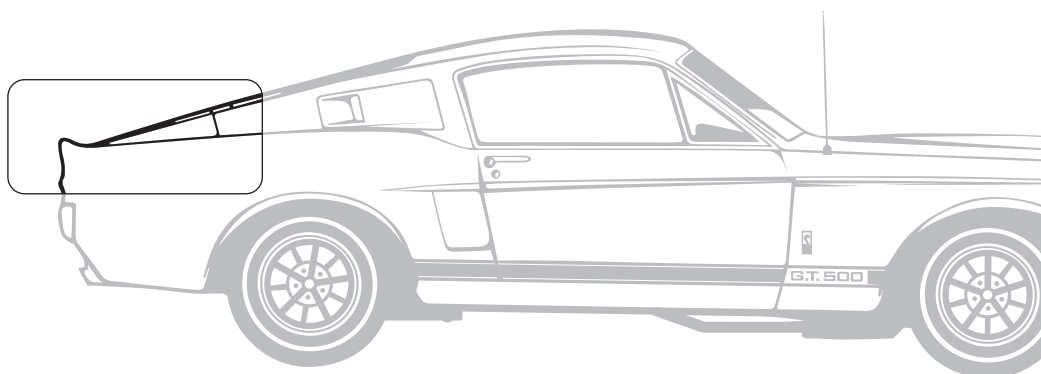


## Stage 98 complete!



# Stage 99: Rear Valance, Fog Lights & Connecting the Body to the Chassis

In stage 99 you will wire up the electrics, mount the body onto the chassis and attach the rear valance with fog lights.



## STAGE 99 PARTS LIST

Name	Quantity
Rear Valance	1
Rear Fog Lights	2
Rear Fog Lenses	2
Screws TYPE MP01	3 [including 1 spare]



# Stage 99: Rear Valance, Fog Lights & Connecting the Body to the Chassis

## STEP 1

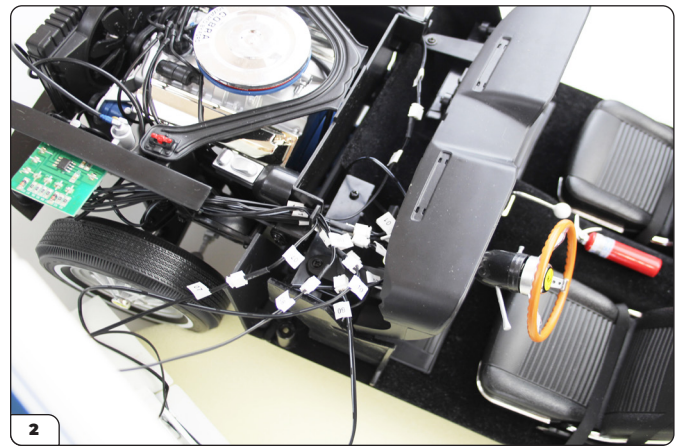
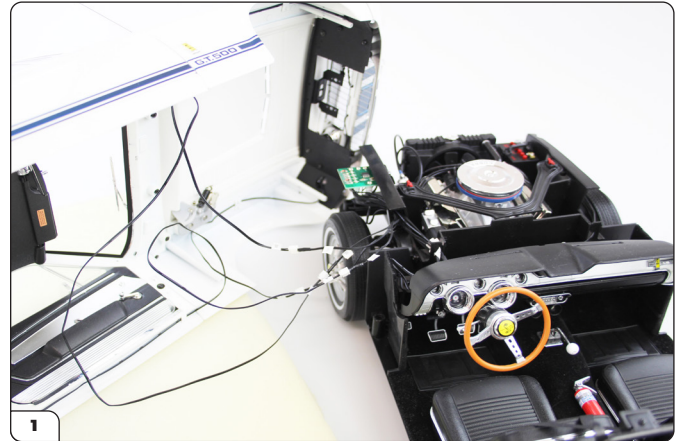
### CONNECT THE REMAINING CABLES

Place the body and the chassis as shown on your worksurface. Note: Please be careful of the wing mirror and antenna during all operations in this stage as they are easily damaged. Connect the cables from the body (No. 07, 08, 09 & 10) with the corresponding connectors on the chassis. Route these cables through the slot in front of the dashboard as shown.



### ADVICE FROM THE EXPERTS

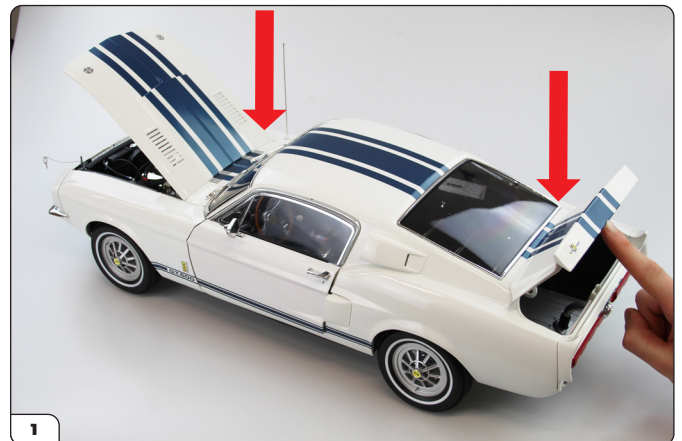
You can tape the cables to the bottom of the Upper Vent Grille with a piece of masking tape to help keep them tidy.



## STEP 2

### LOWER THE BODY ONTO THE CHASSIS

Before lowering the body into position, place the cables in front of the dashboard to avoid jamming them. Also make sure the seatbelts are stored inside the body so they don't get jammed. Then, open the hood and trunk and carefully lower the body onto the chassis frame. At the rear end, check that the Fuel Filling Tube is correctly positioned.



# Stage 99: Rear Valance, Fog Lights & Connecting the Body to the Chassis

## STEP 2

### CONTINUED...

Snap the front end into position, pushing the radiator lightly towards the inside.

Turn the whole car over, taking care not to damage the antenna. It is easier to do the next steps if the car is resting on your lap so that the antenna is routed between your knees. Press down firmly around the outer edges of the chassis frame until you feel everything click into position. Check all the edges are evenly installed around the body. When you are happy with the position, secure in place using 2 x TYPE MD14 screws (from stage 98) as shown. If the screws do not bite on the threads, continue to push firmly and check the positioning of the body over the chassis. Fix the central part of the body with 4 x TYPE MD06 screws (also from stage 98) as shown. Finally, secure the front of the body with 2 x TYPE MD06 screws.

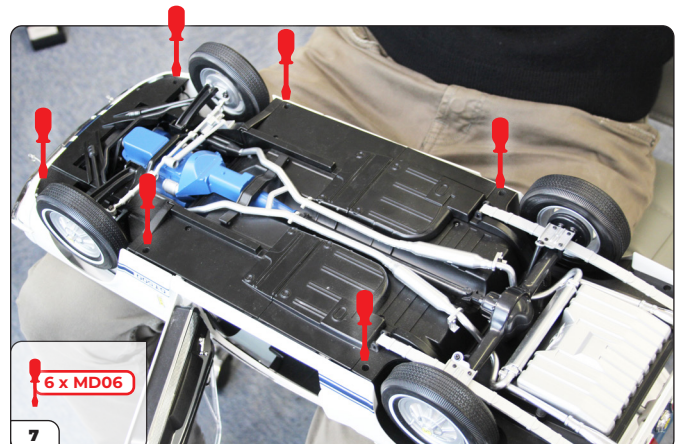
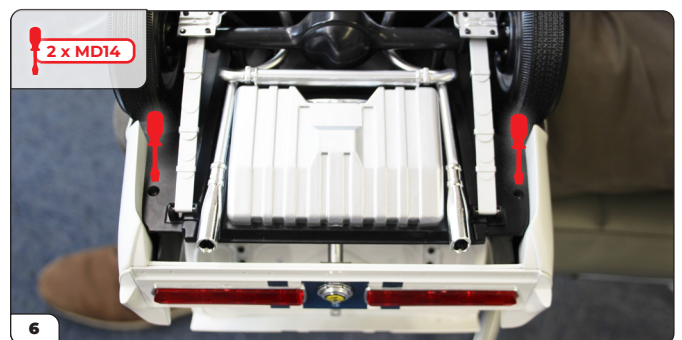
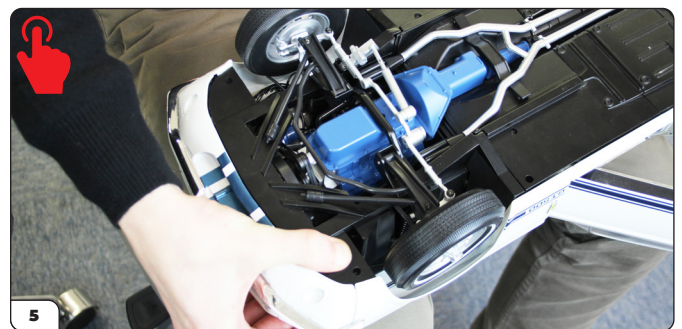
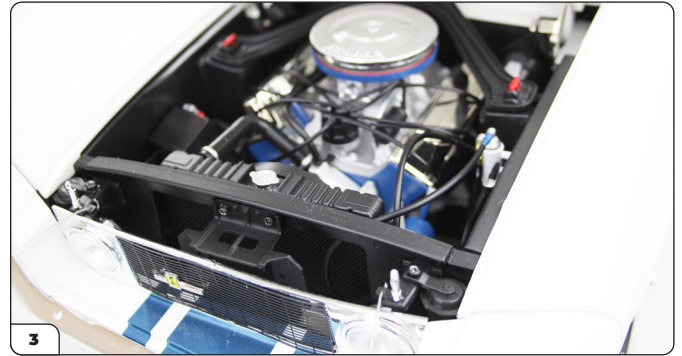


### EXPERT TIPS FOR FITTING THE BODY

Add a drop of lubricant to each hole in the body before placing it over the chassis.

You can use an awl to help line up the screw holes if necessary.

Make sure the rear of the body is fully seated on the chassis. The top of the trunk side panels should meet the inside of the body.



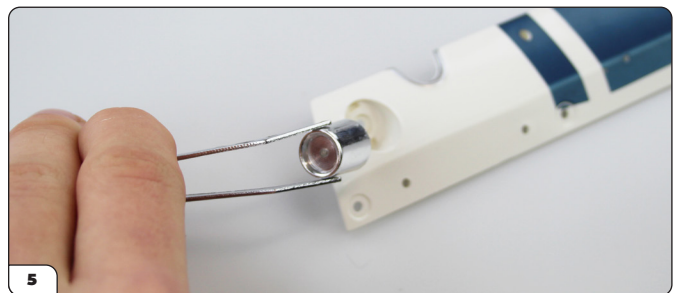
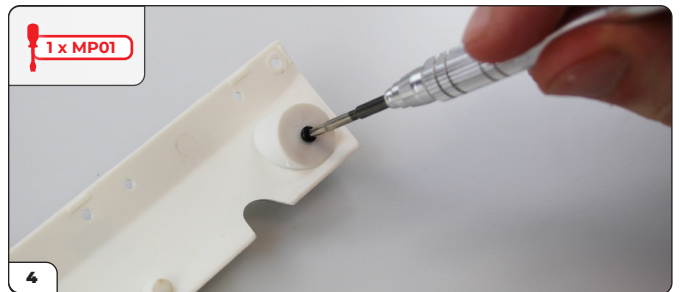


# Stage 99: Rear Valance, Fog Lights & Connecting the Body to the Chassis

## STEP 3

### FIX THE FOG LIGHTS TO THE REAR VALENCE

Align the lugs on the Fog Light Lenses with the holes on the Fog Lights. Push firmly into position to fix. Introduce each Fog Light into the Rear valence as shown. Secure them from the reverse side using 2 x TYPE MP01 screws.



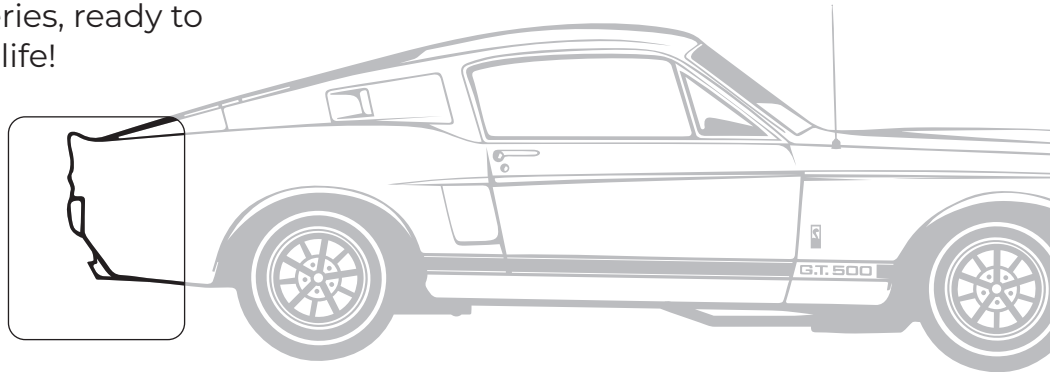
## Stage 99: Rear Valance, Fog Lights & Connecting the Body to the Chassis

**Stage 99 complete!**



# Stage 100: Rear Bumper, Front & Rear License Plates & Checking the Electrical Components

In stage 100 you will attach the license plates and install the batteries, ready to bring your Super Snake to life!



## STAGE 100 PARTS LIST

Name	Quantity
Rear Bumper	1
Rear License Plate	1
Front License Plate	1
Screws TYPE MD03	3 [including 1 spare]
Screws TYPE MP02	3 [including 1 spare]
Screws TYPE MD02	5 including 1 spare]



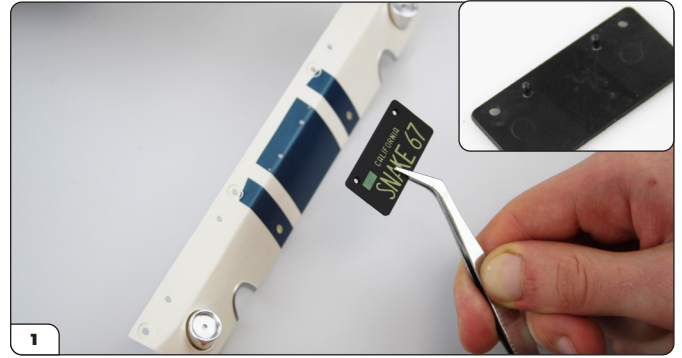
# Stage 100: Rear Bumper, Front & Rear License Plates & Checking the Electrical Components

## STEP 1

### ATTACH THE REAR LICENSE PLATE, REAR VALENCE & BUMPER

Note: the Front License Plate is flat on the reverse side. The Rear License Plate has two pegs on the reverse side.

Align the Rear License Plate with the Rear Valence. Fix in place using 2 x TYPE MP02 screws. Fit the Valence to the lower section of the body as shown using 4 x TYPE MD02 screws. Position the Rear Bumper as shown, aligning the lugs on the Bumper with the corresponding holes on the body. Push into place, checking that the lower bumpers are correctly positioned.



# Stage 100: Rear Bumper, Front & Rear License Plates & Checking the Electrical Components

## STEP 2

### ATTACH THE FRONT LICENSE PLATE

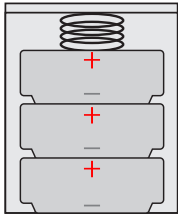
Align the Front License Plate as shown and secure in place with 2 x TYPE MD03 screws.



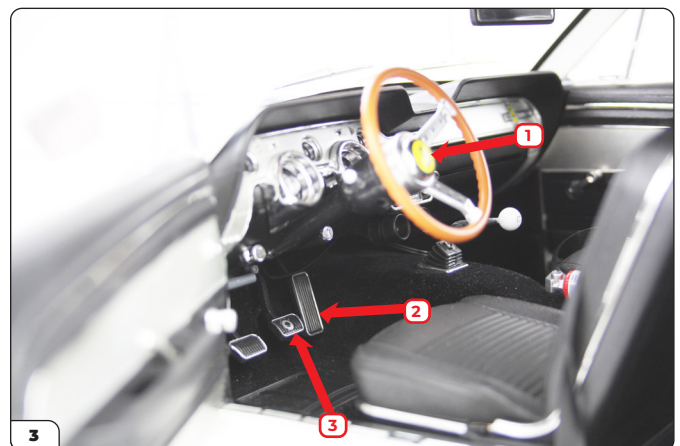
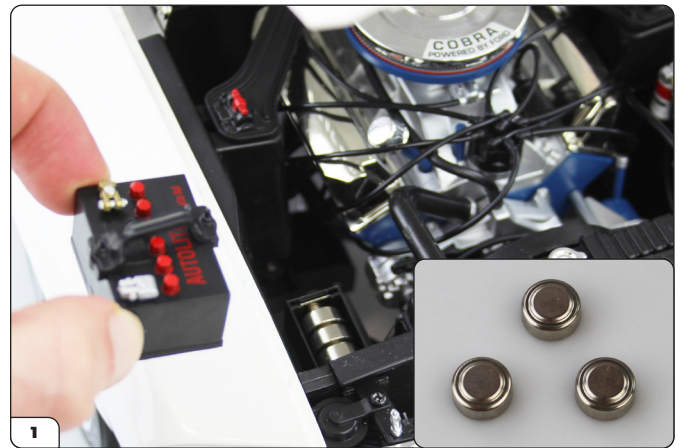
## STEP 3

### INSTALL THE BATTERIES AND CHECK THE ELECTRICAL COMPONENTS

The batteries required are 3 x LR44 or AG13. These are not supplied with your build. Position the batteries under the Battery Cover in the engine compartment as shown, with the positive side of the batteries facing the spring. The small switch located on the dashboard (picture 2) activates all the electrical functions. Flick the switch to the 'On' position: the headlights and taillights will light up. Pushing the center of the steering wheel (1) will activate the horn; pushing the accelerator (2) plays engine noise; pushing the brake pedal (3) illuminates the brake lights with greater intensity.



**Stage Complete! We hope you have enjoyed building your 1967 Shelby GT500 Super Snake. Don't forget, when you choose your next model, the first Pack is absolutely free!**



# Stage 100: Rear Bumper, Front & Rear License Plates & Checking the Electrical Components

## STEP 3

### CONTINUED...

The brake pedal and accelerator pedal activate the headlights and taillights to bring your Super Snake to life!

**Stage Complete! We hope you have enjoyed building your 1967 Shelby GT500 Super Snake. Don't forget, when you choose your next model the first Pack is absolutely free! Go to [agoramodels.com](http://agoramodels.com) for more details.**



## Stage 100 complete!

