

MITSUBISHI A6MZERO FIGHTER



Pack 03 | Build Instructions

Your 1:18 model of the Japanese Zero is reproduced in the most exquisite detail, with electronics allowing you to recreate aeronautical operations such as take-off and landing, turning, firing and night combat. Lights, machine-gun and propeller sounds bring your legendary fighter plane to life.

In your third model pack, you will assemble:

STAGE 16: BUILDING THE MACHINE GUNS

STAGE 17: ENGINE MOUNTS AND SIGHTS

STAGE 18: COCKPIT ASSEMBLY (1)

STAGE 19: COCKPIT ASSEMBLY (2)

STAGE 20: COCKPIT ASSEMBLY (3)

STAGE 21: COCKPIT ASSEMBLY (4)

STAGE 22: COCKPIT ASSEMBLY (5)

STAGE 23: COCKPIT ASSEMBLY (6)

STAGE 24: COCKPIT ASSEMBLY (7)

STAGE 25: COCKPIT ASSEMBLY (8)

STAGE 26: COCKPIT ASSEMBLY (9)



There are excellent videos showing how to build the Zero [here](#).

Advice from the experts

Spare screws are included with each part. Occasionally, you may be instructed to keep spare or unused screws for a later stage.

Keep these spares in a safe place and label them correctly.

Please make sure you don't mix up the screws. They look quite similar, but the threads do vary slightly. Using the wrong screws may damage the parts.

When securing parts together using multiple screws, fit each screw loosely to ensure all the parts are correctly aligned before gently tightening them firmly, but not overtight, in the order in which you placed them.

The screwdriver can be magnetised by stroking it with a magnet (fridge magnet, etc.) enabling it to hold the screws and make assembly easier.

If a screw is tight going into a metal part, do not force it as you may shear the head off. Remove it and put a tiny smear of Vaseline, soap or light oil on the thread. That will lubricate it and make it easier to drive home.

During the course of this build, you will receive many pieces that you will assemble immediately – following the instructions in the corresponding stage – and other pieces that you should store safely to one side, for use in future assembly stages.

When gluing parts together, glue may be applied to either of the two parts. Some experts find it easier to apply glue to a hole rather than a pin. Choose a method that works best for you.

It's a good idea to test fit your parts so that you can check their positioning before gluing.

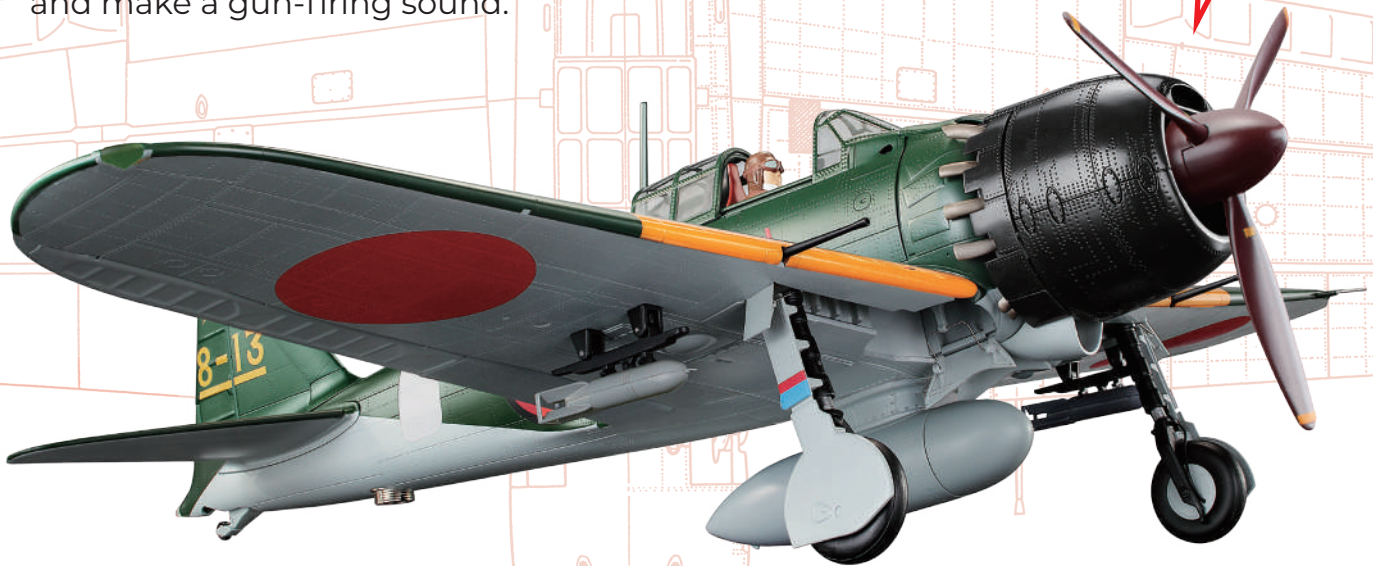
Not suitable for children under the age of 14. This product is not a toy and is not designed for use in play. Keep the parts out of the reach of small children. Some parts may have sharp edges. Please handle them with care.

Stage 16: Building the Machine Guns

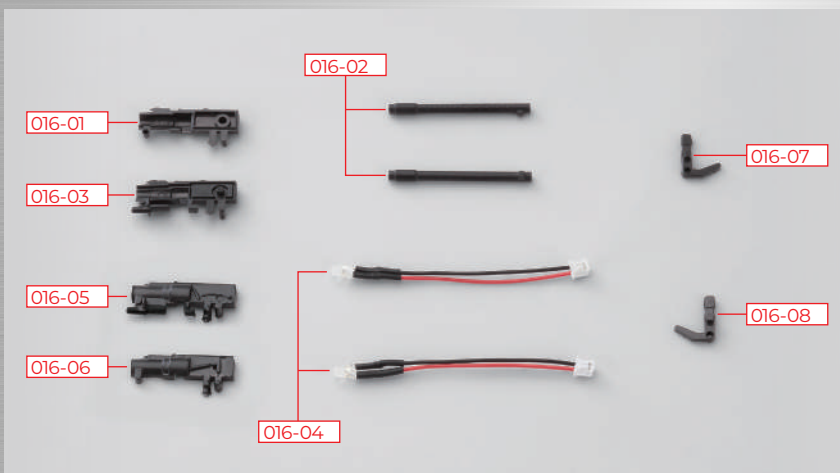
Stage 16 Assembly

7.7mm Machine Guns

In this stage we'll assemble the TYPE 97 7.7mm aircraft machine guns (which are attached to the top part of the engine cowling). The guns have got an in-built LED and make a gun-firing sound.



STAGE 16 PARTS



You will also need: superglue, snipe nose side cutting pliers, tweezers.

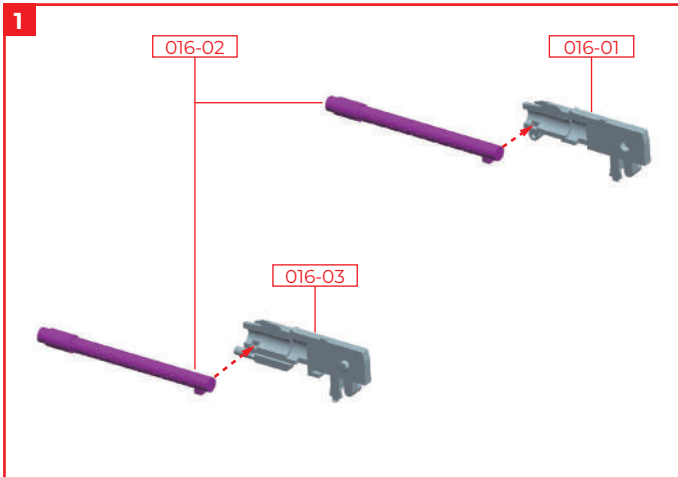
PARTS LIST

	Part	No.	Material
<input type="checkbox"/>	016-01	1	ABS resin
<input type="checkbox"/>	016-02	2	Plastic
<input type="checkbox"/>	016-03	1	ABS resin
<input type="checkbox"/>	016-04	2	LED
<input type="checkbox"/>	016-05	1	ABS resin
<input type="checkbox"/>	016-06	1	ABS resin
<input type="checkbox"/>	016-07	1	ABS resin
<input type="checkbox"/>	016-08	1	ABS resin

STEP 1

Making the Type 97 7.7mm machine gun

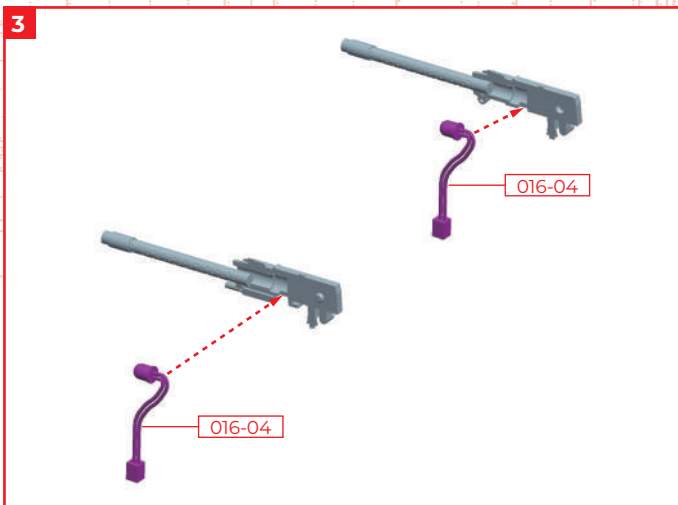
← : Glue
- - - : Don't Glue



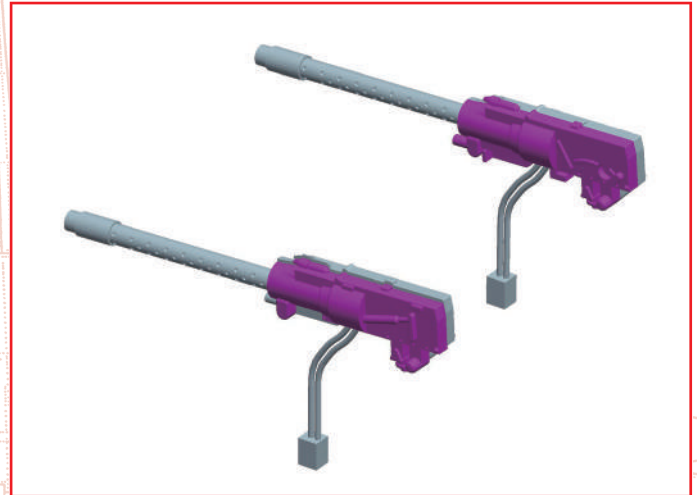
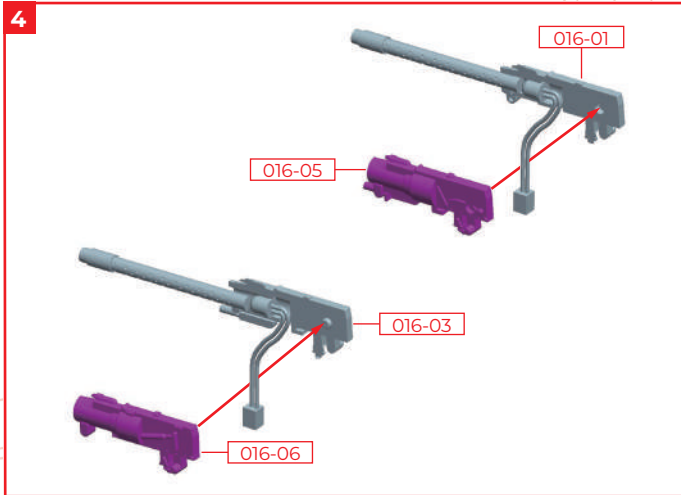
Fit the barrel **016-02** into the right machine gun body **016-01** and the left machine gun body **016-03**. Align the small peg on the barrel with the notch at the bottom of the machine gun body. The barrel does not glue.



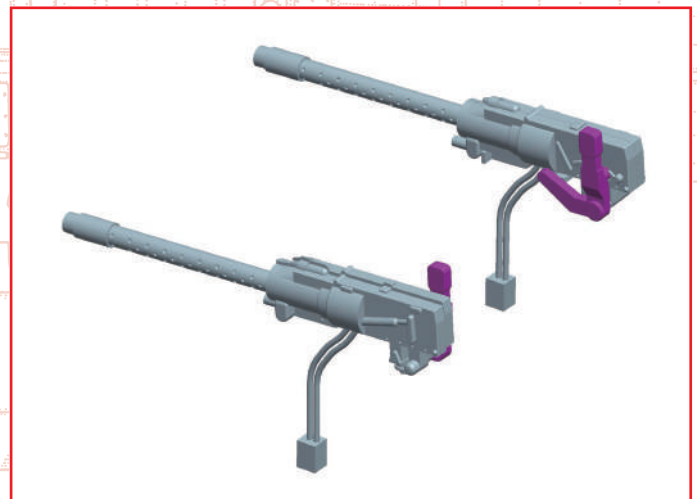
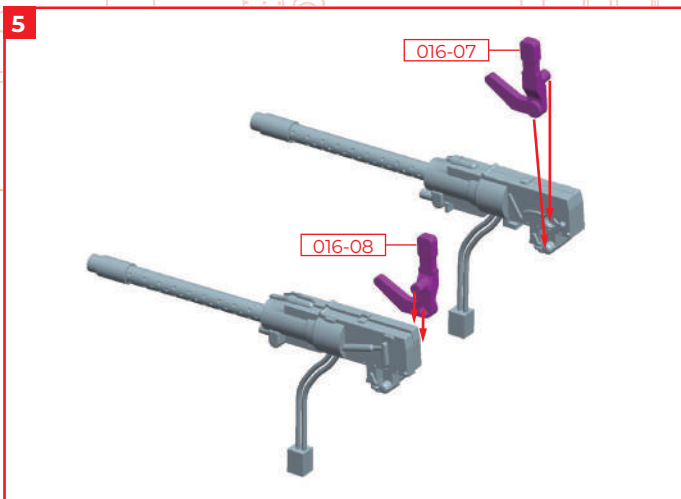
Bend the LED **016-04** to form a right angle. Hold the base of the LED with needle-nose pliers and carefully bend the wire with your fingers.



Insert LED **016-04** into each of the left and right units assembled in 1. Pass the wire through the notch at the bottom of the machine gun body.

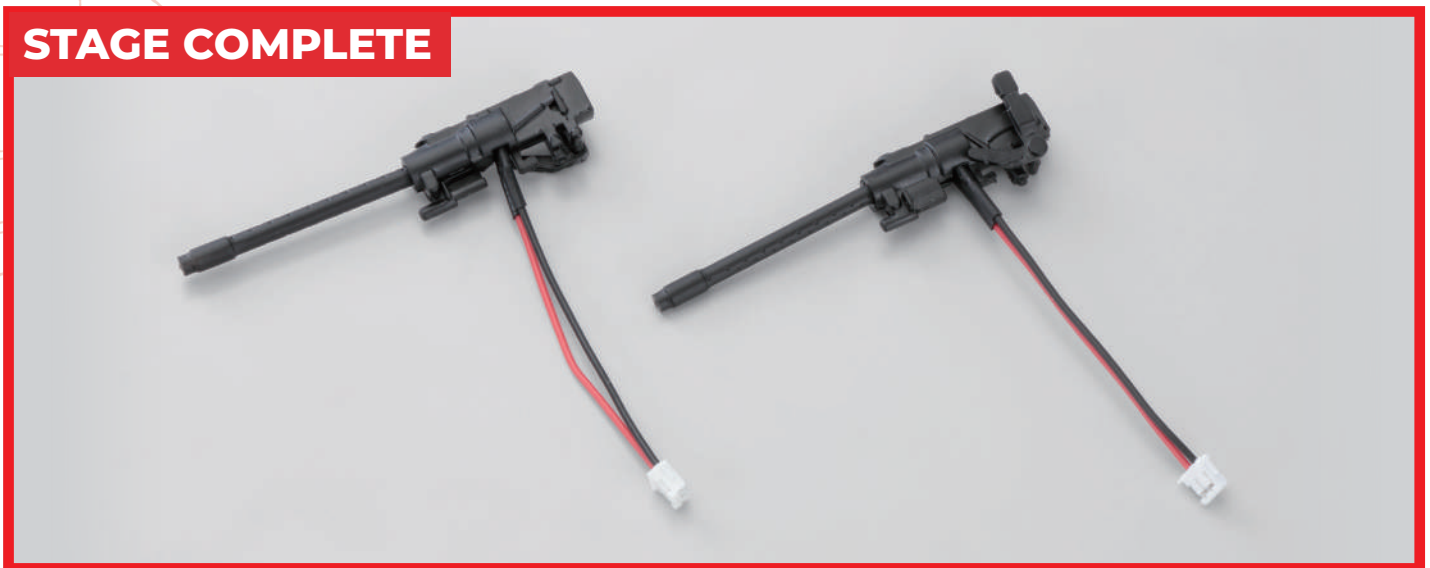


Glue the right machine gun body **016-05** to the right machine body **016-01**. Be careful not to pinch the LED wire. Similarly, glue the left machine gun body **016-06** to the left machine body **016-03**.



Glue the trigger handle **016-07** to the right machine gun body assembled in 4. Apply glue to both the peg and the recess on the machine gun body. Similarly, glue the trigger handle **016-08** to the left machine gun body.

STAGE COMPLETE

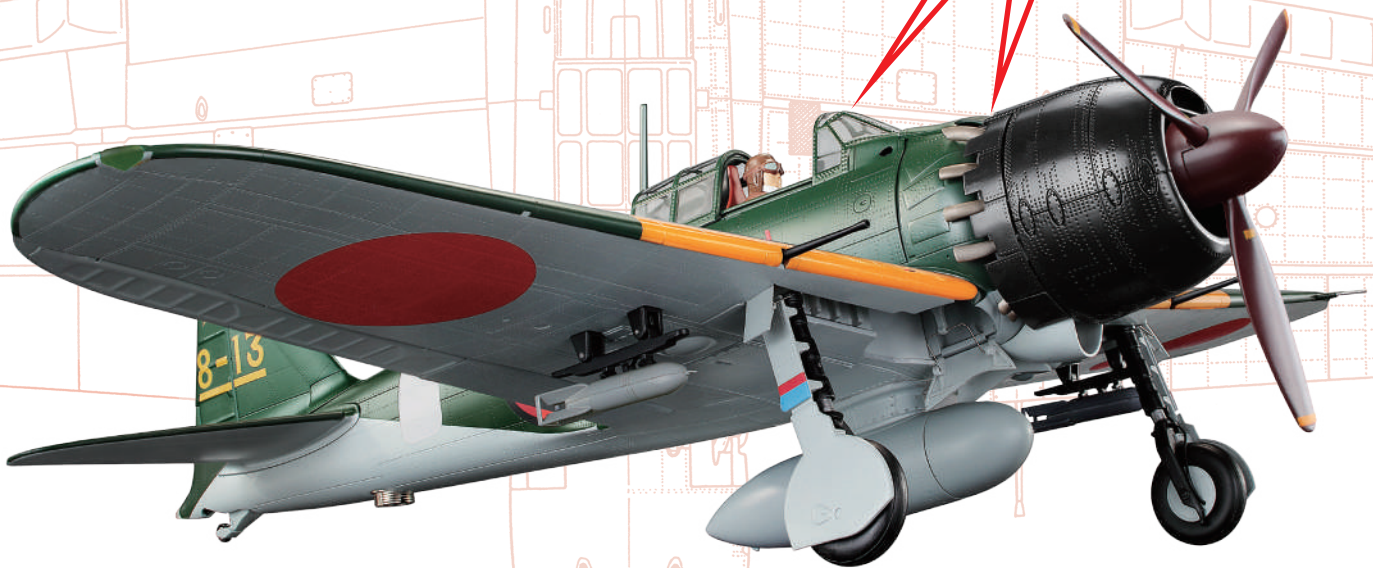


Stage 17: Engine Mounts and Sights

In this stage we'll assemble the engine mount which connects the body of the aircraft to the engine as well as install the sight used when firing the gun.

Stage 17 Assembly

Sight / Engine Mount



STAGE 17 PARTS



You will also need: superglue, tweezers.
 * 017-07 will not be used in this stage. Keep them in a safe place.

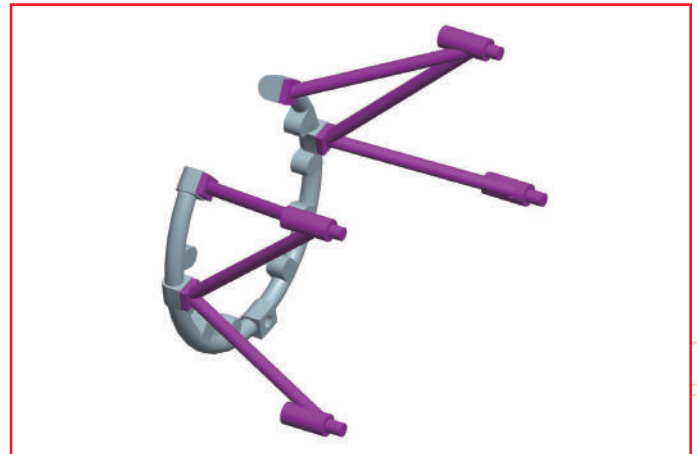
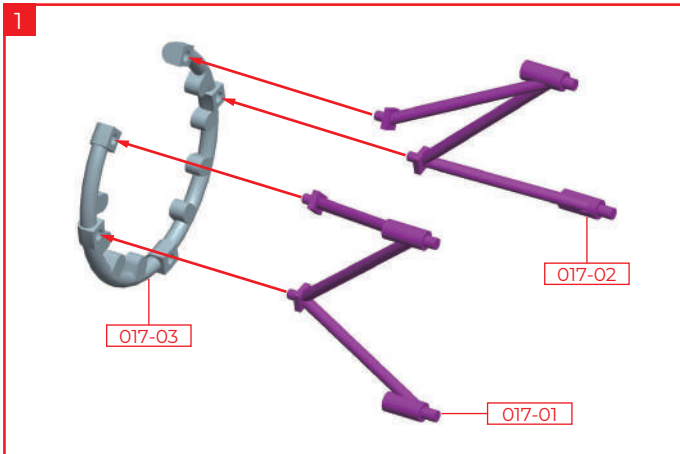
PARTS LIST

	Part	No.	Material
<input type="checkbox"/>	017-01	1	ABS resin
<input type="checkbox"/>	017-02	1	ABS resin
<input type="checkbox"/>	017-03	1	ABS resin
<input type="checkbox"/>	017-04	1	ABS resin
<input type="checkbox"/>	017-05	1	ABS resin
<input type="checkbox"/>	017-06	1	ABS resin+plastic
<input type="checkbox"/>	017-07	2 (1 spare)	Steel

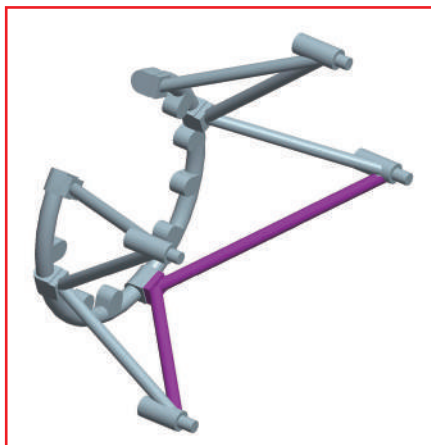
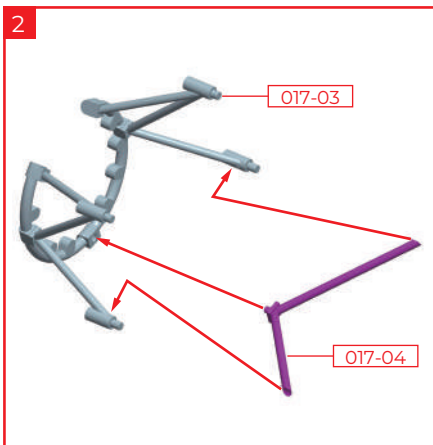
STEP 1

Engine mount assembly

— : Glue
 - - - : Don't Glue



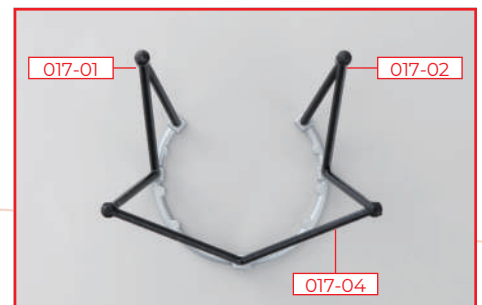
Insert the two pegs of the engine mount frame **017-01** and the engine mount frame **017-02** into the four holes of the engine mount ring **017-03**. Glue together. Look closely at the image and pay attention to the top and bottom of the engine mount frame.



Glue the peg in the middle of frame **017-04** and push into the hole on the lower part of the engine mount frame assembled in 1. At the same time, push the two ends of part **017-04** into the holes on the sides of **017-01** and **017-02**.

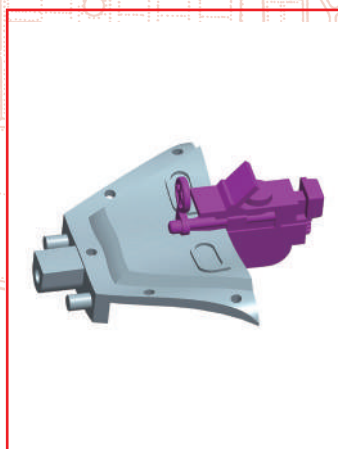
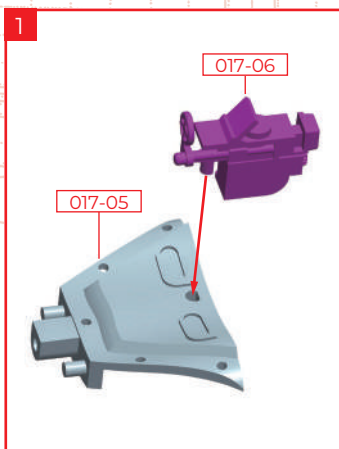
NOTE

The engine mount frames **017-01** & **017-02** are similar in shape, so be careful not to make a mistake. When you insert them into the engine mount ring **017-03** the front will expand.



STEP 2

Mounting the gunsight



Glue the peg on the sighting device **017-06** into the machine gun cover **017-05**.

STAGE COMPLETE



Stage 18: Cockpit Assembly (1)

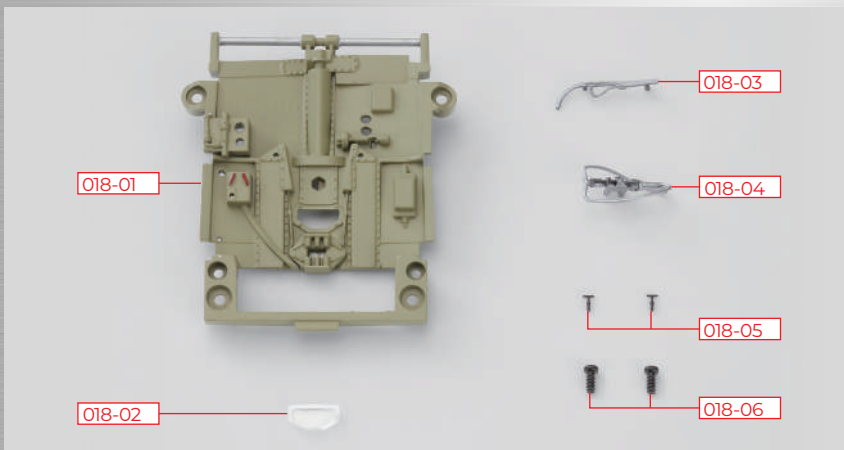
In this stage we'll assemble the cockpit, starting with the piping under the flooring. There are a lot of small parts during this stage so be careful not to mix them up or accidentally break them!

Stage 18 Assembly

Cockpit



STAGE 18 PARTS



You will also need: superglue, tweezers
 * 018-06 will not be used in this stage. Keep it in a safe place.

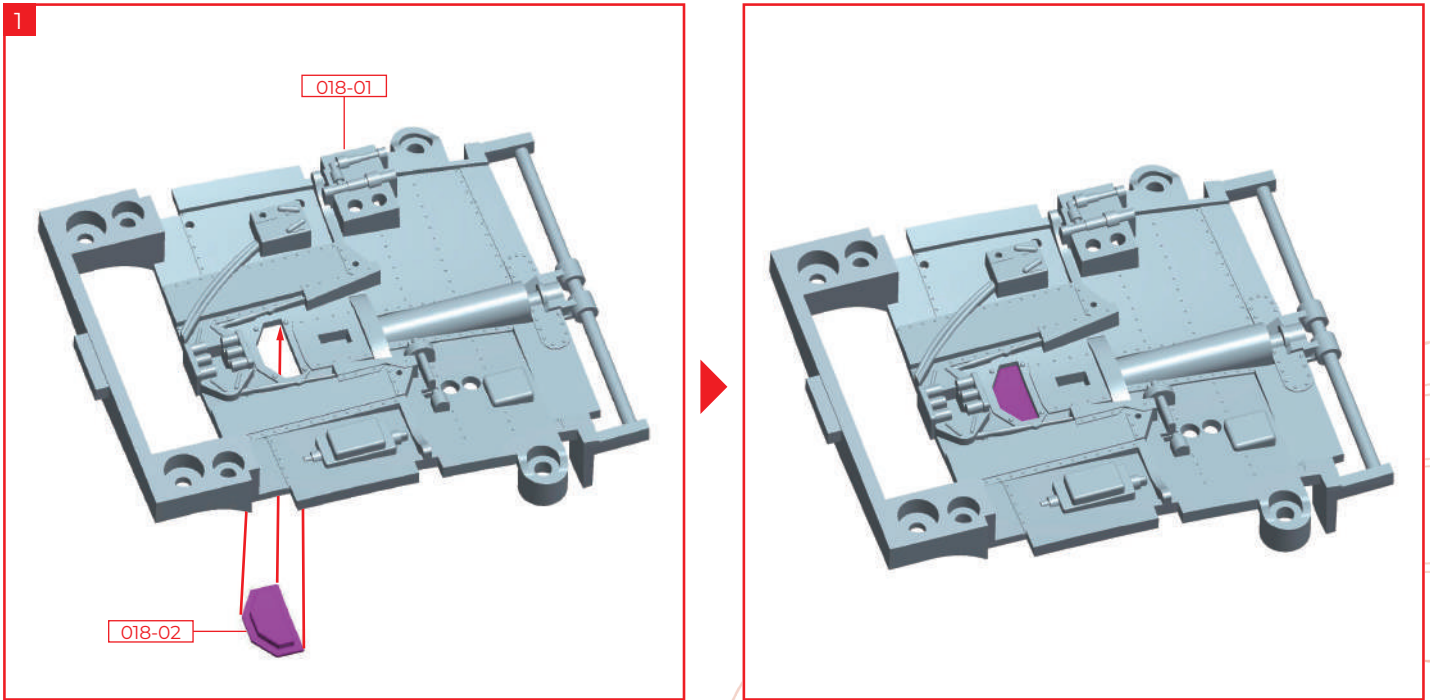
PARTS LIST

	Part	No.	Material
<input type="checkbox"/>	018-01	1	Die-cast
<input type="checkbox"/>	018-02	1	Plastic
<input type="checkbox"/>	018-03	1	PVC
<input type="checkbox"/>	018-04	1	ABS resin / Plastic
<input type="checkbox"/>	018-05	2 (1 spare)	ABS resin
<input type="checkbox"/>	018-06	2	Steel

STEP 1

Assembling the drop tank jettison window

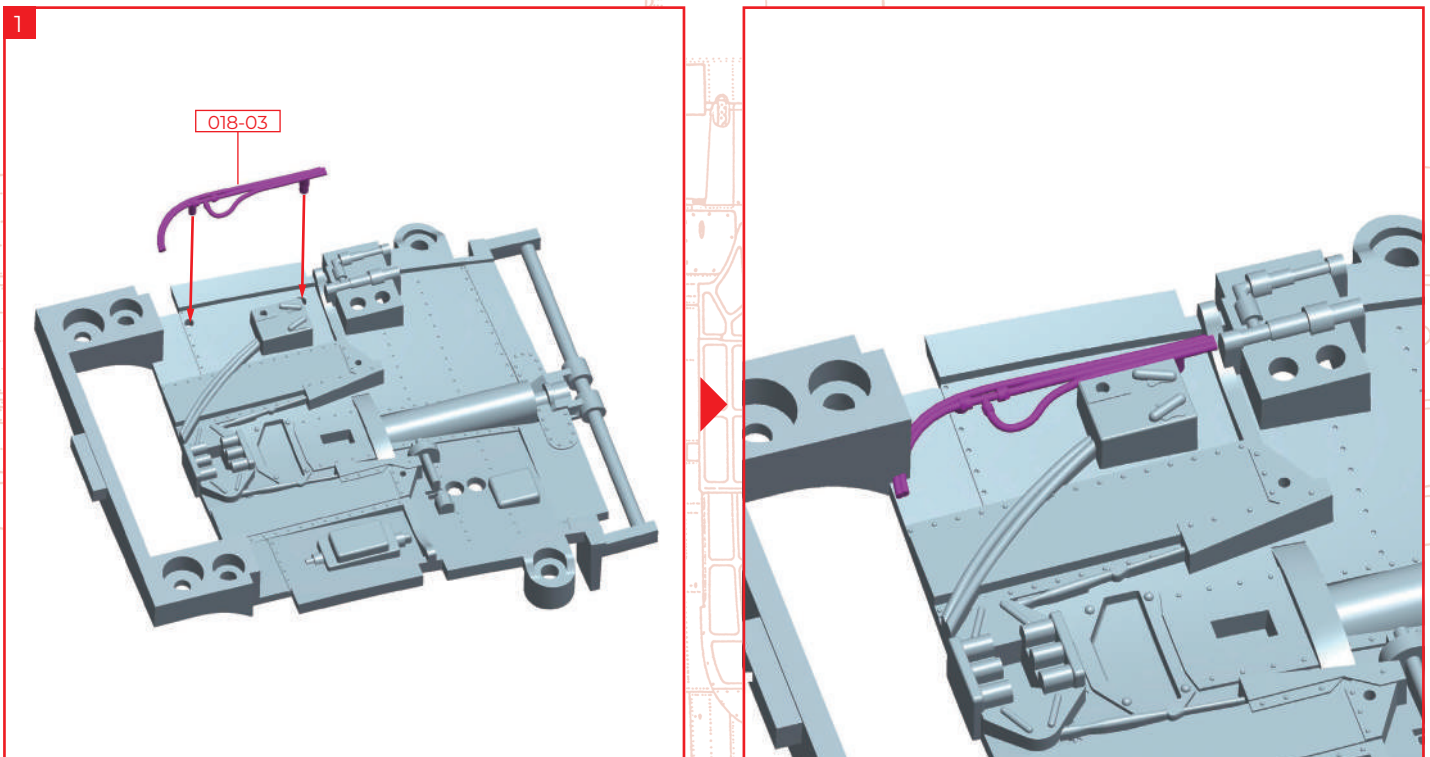
← : Glue
- - - : Don't Glue



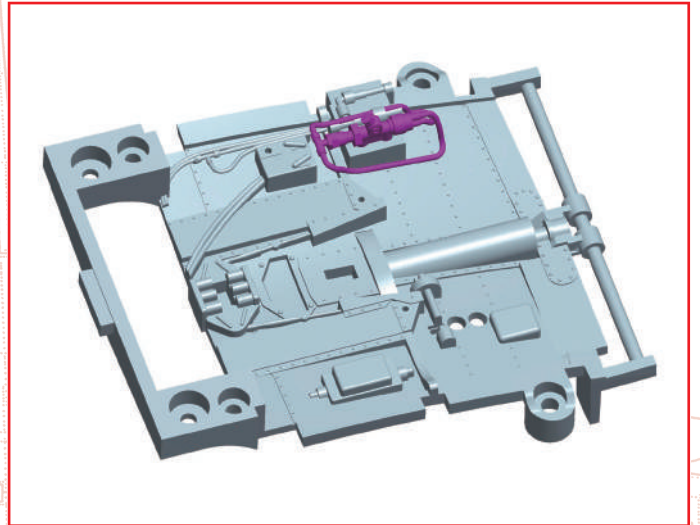
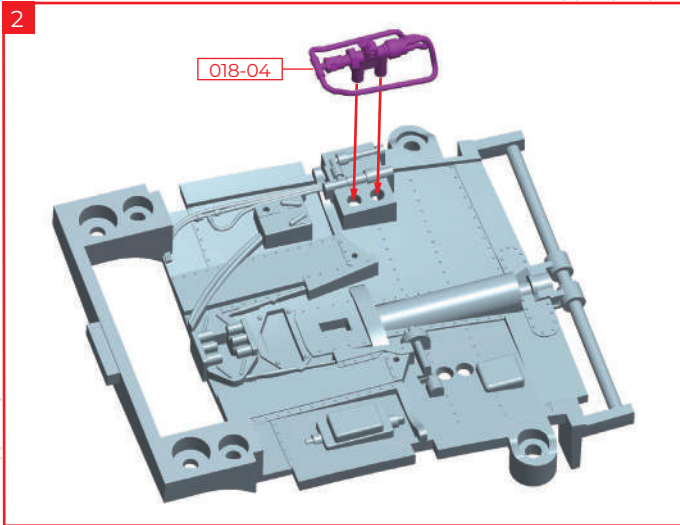
Glue window 018-02 from the underside of the cockpit flooring 018-01 with a very small amount of superglue. Be careful not to let the adhesive squeeze out.

STEP 2

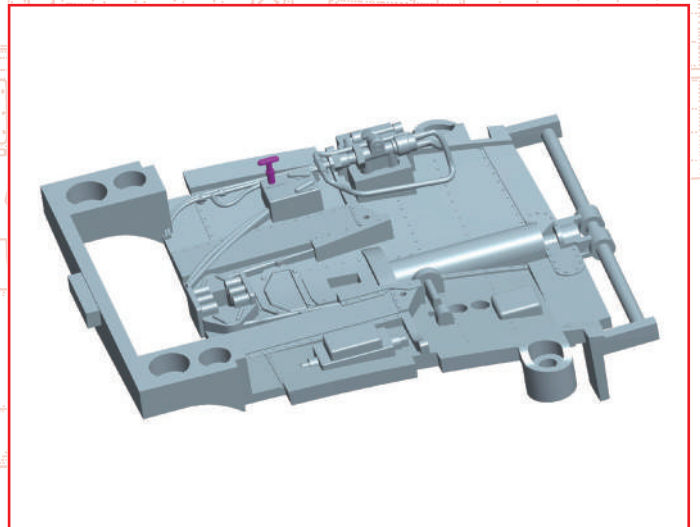
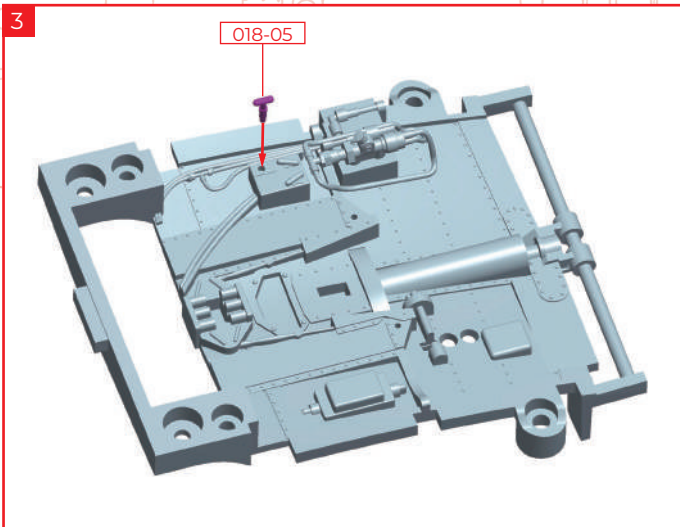
Installing piping



Glue piping 018-03 to the cockpit flooring 018-01 with a very small amount of superglue. Be careful not to let the adhesive squeeze out.



Glue the emergency manual hydraulic pump 018-04 to the cockpit flooring 018-01 with a very small amount of superglue



Glue the handle 018-05 to the cockpit floor 018-01 with a very small amount of superglue.

STAGE COMPLETE

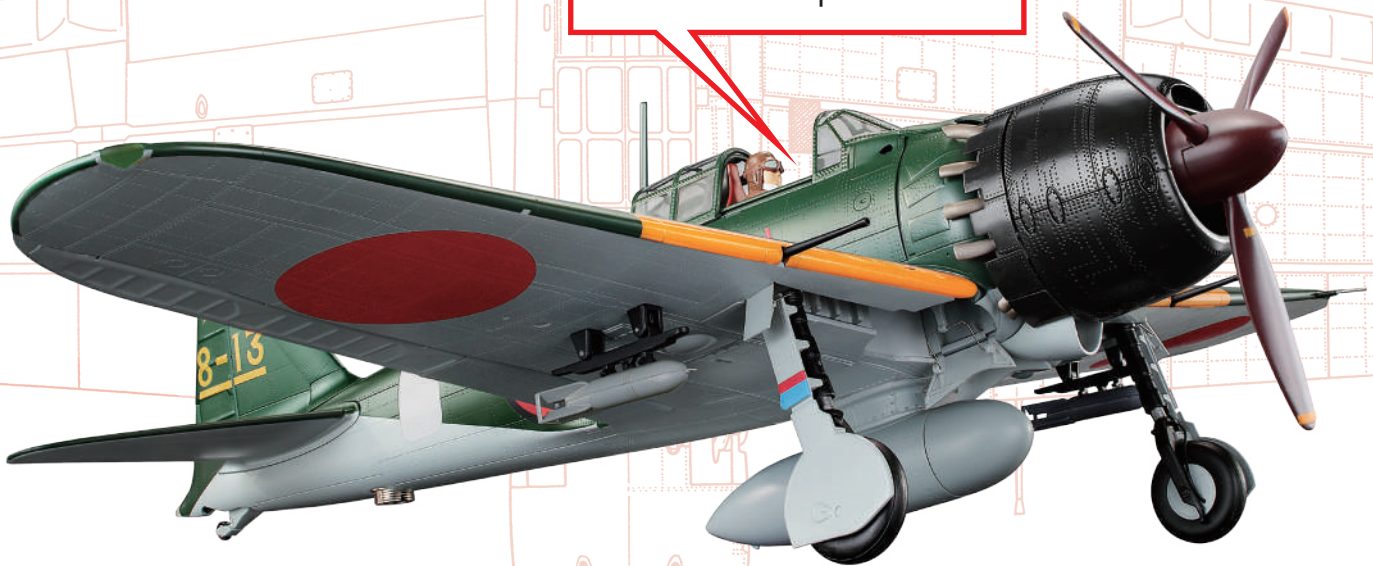


Stage 19: Cockpit Assembly (2)

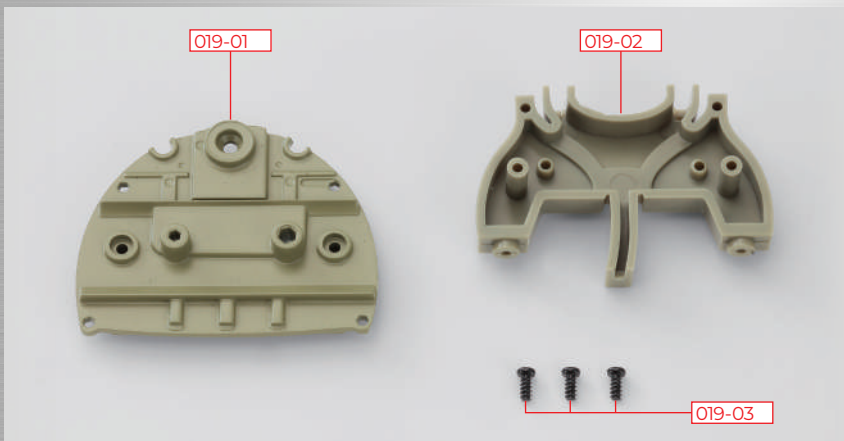
In this stage we'll install the 7.7 mm machine gun and sight to the front cockpit bulkhead.

Stage 19 Assembly

Cockpit



STAGE 19 PARTS



You will also need: superglue, tweezers
 * 019-03 will not be used in this issue. Keep it in a safe place.

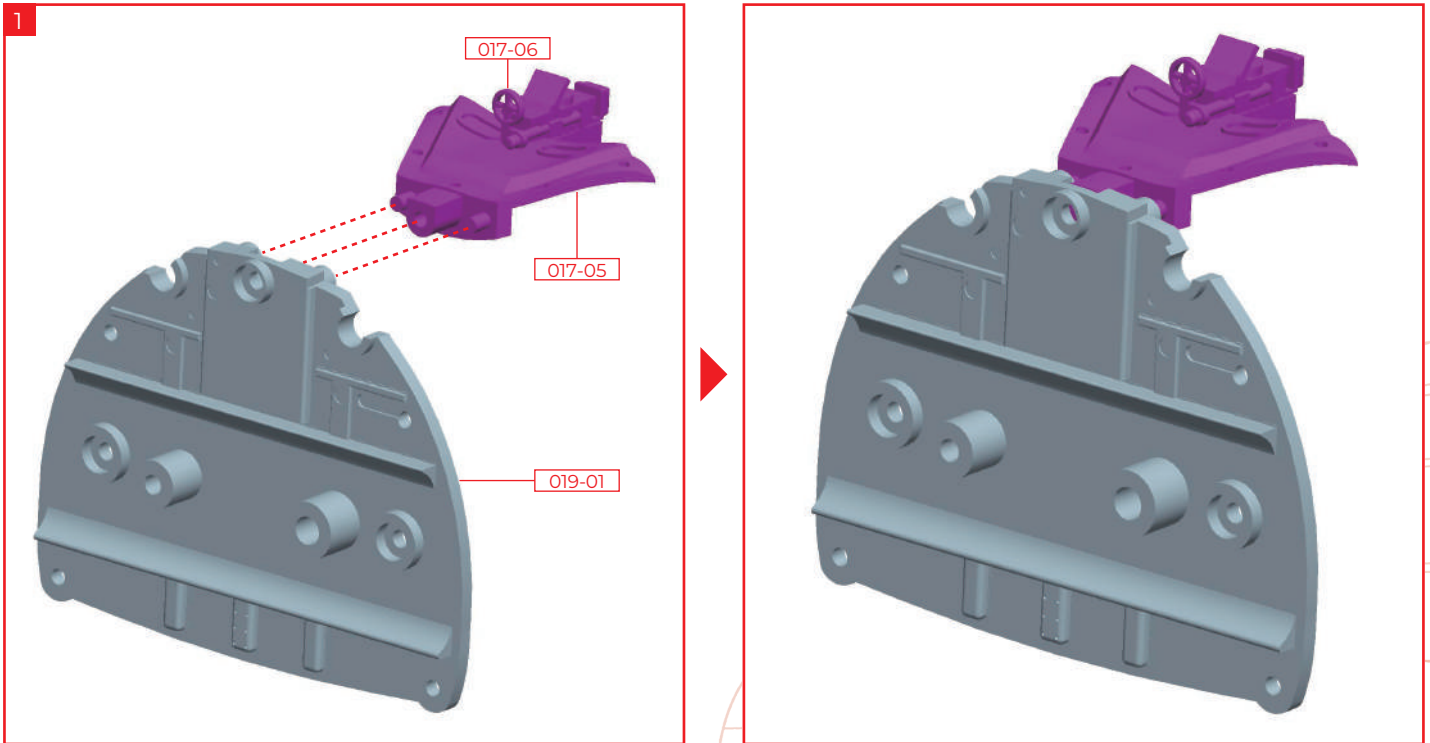
PARTS LIST

	Part	No.	Material
<input type="checkbox"/>	019-01	1	Die-cast
<input type="checkbox"/>	019-02	1	ABS
<input type="checkbox"/>	019-03	3 (1 spare)	Steel

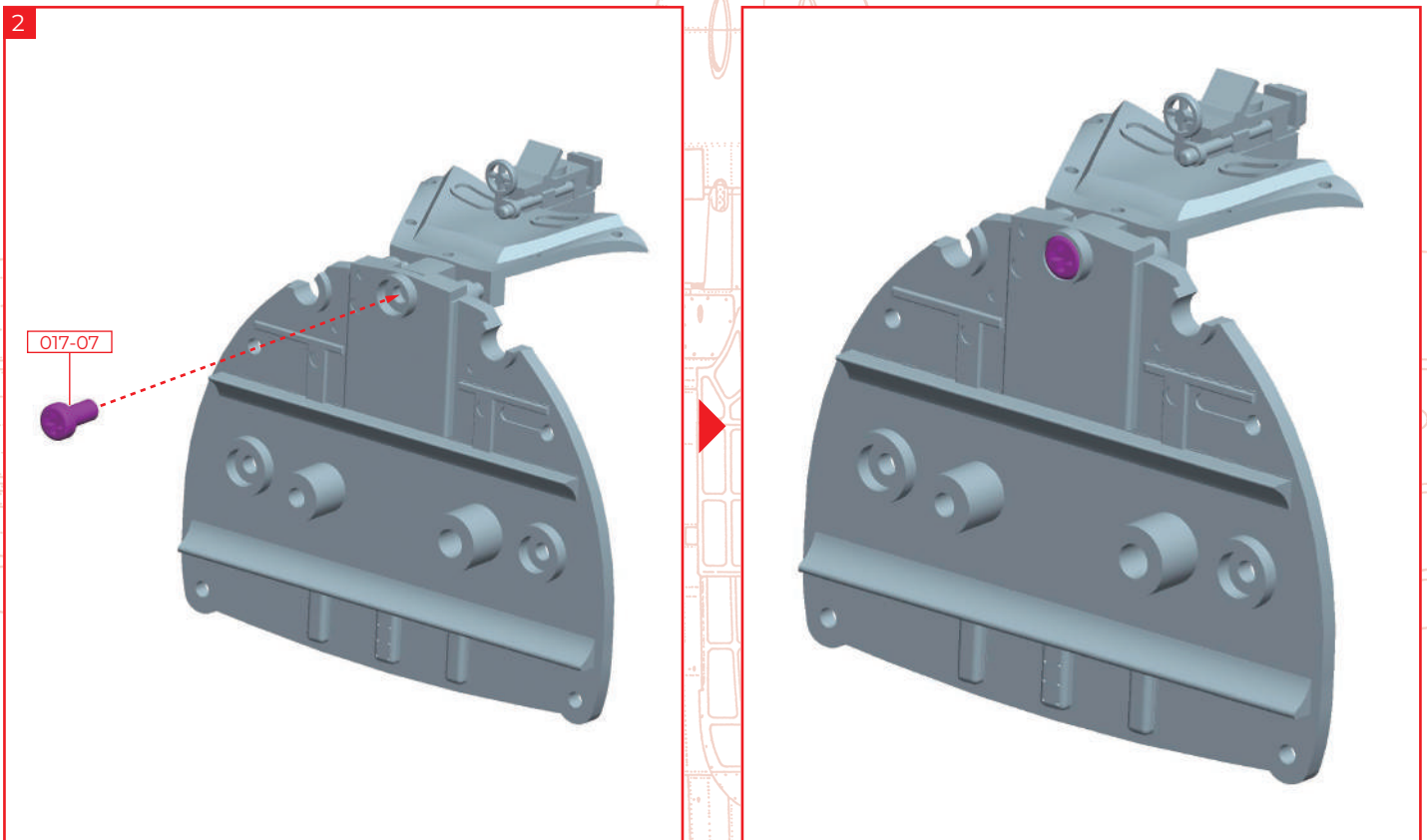
STEP 1

Installing the gunsight and cover

← : Glue
- - - : Don't Glue



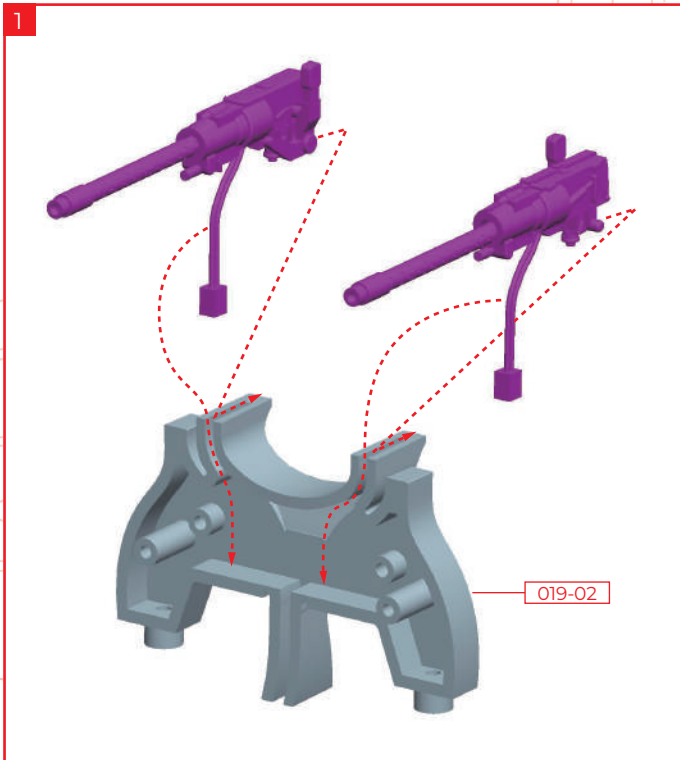
Fit the sighting device and machine gun cover assembled in stage 17 to the front bulkhead 019-01.



Fix the sighting device and machine gun cover in place using the screw 017-07 that came in stage 17.

STEP 2

Installing the 7.7 mm machine gun



NOTE

When fitting the machine gun to 019-02 check that the wire is brought forward within the groove.

Fit the machine gun assembled in stage 16 to the magazine 019-02. Fit the machine gun so that the handle is on the inside. Push firmly to secure in place without glue.

STAGE COMPLETE

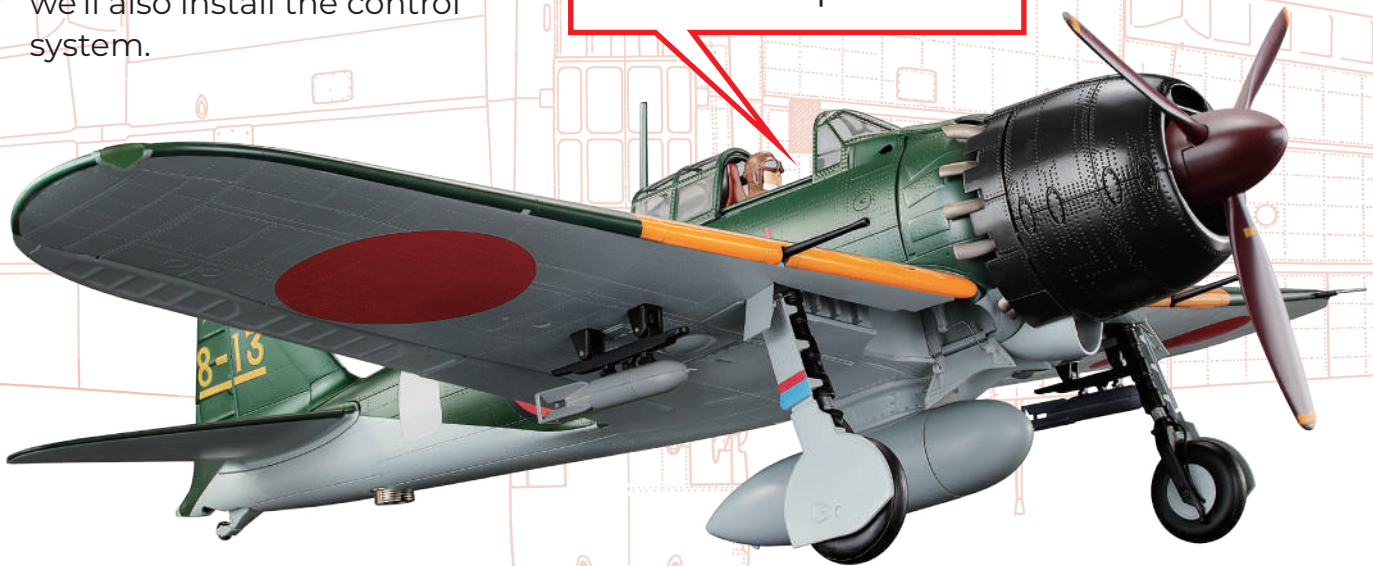


Stage 20: Cockpit Assembly (3)

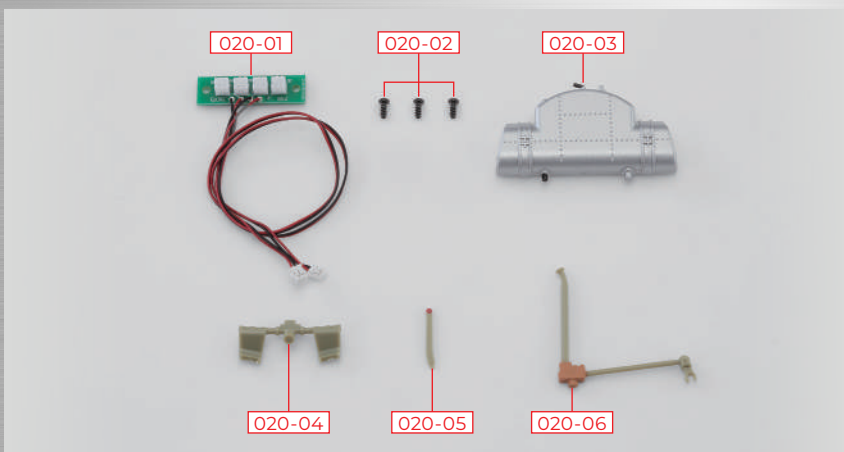
In this stage, we'll install the circuit board to power the LEDs fitted to the machine guns and we'll also install the control system.

Stage 20 Assembly

Cockpit



STAGE 20 PARTS



You will also need: superglue, tweezers, screwdriver.
 * 020-03 will not be used in this issue. Keep it in a safe place.

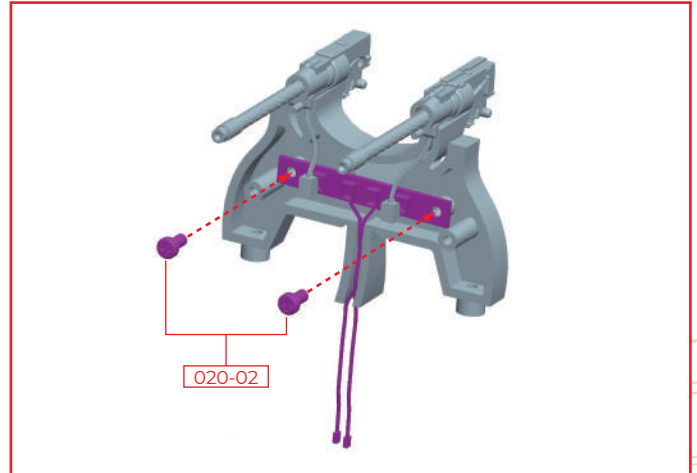
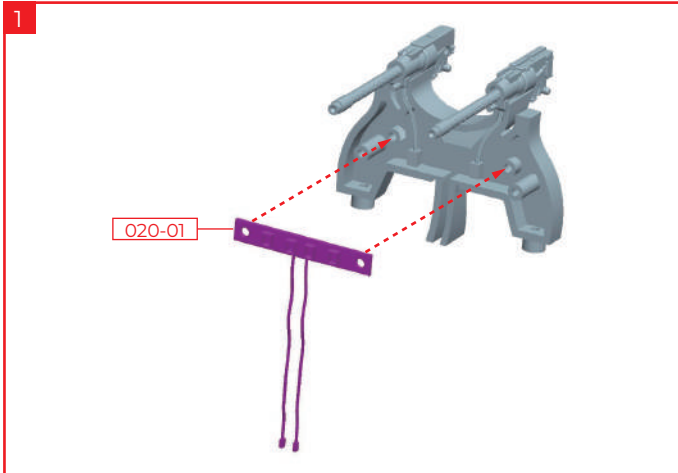
PARTS LIST

	Part	No.	Material
<input type="checkbox"/>	020-01	1	Board
<input type="checkbox"/>	020-02	3 (1 spare)	Steel
<input type="checkbox"/>	020-03	1	ABS resin
<input type="checkbox"/>	020-04	1	ABS resin
<input type="checkbox"/>	020-05	1	ABS resin
<input type="checkbox"/>	020-06	1	ABS resin

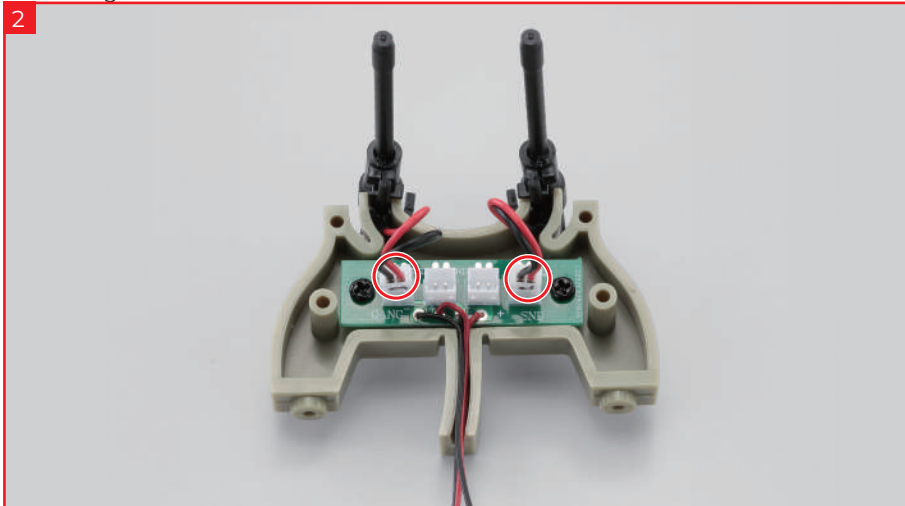
STEP 1

Installing the circuit board

← : Glue
- - - : Don't Glue



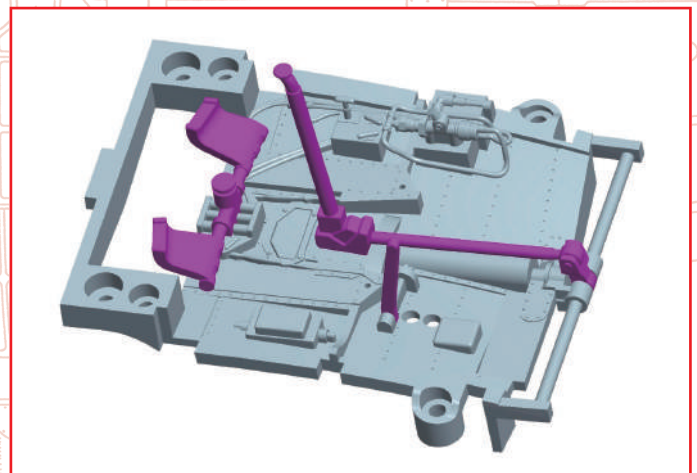
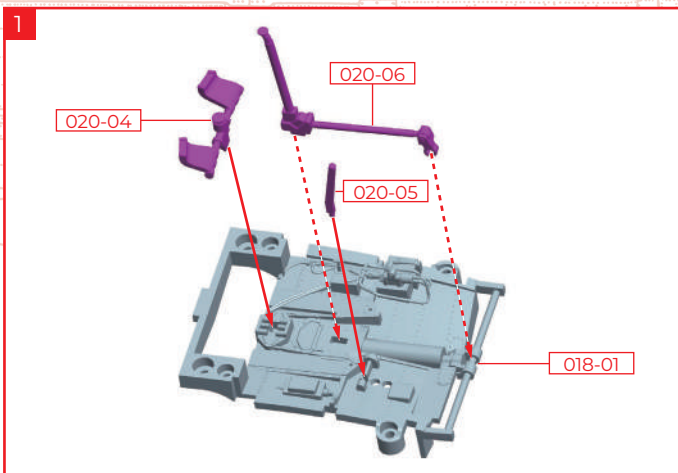
Fix the circuit board 020-01 to the machine gun assembly from stage 19 using two screws 020-02. Be careful not to pinch the machine gun wire.



Push the machine gun wires into the outer sockets of circuit board 020-01. Note the orientation of the wires when plugging them in.

STEP 2

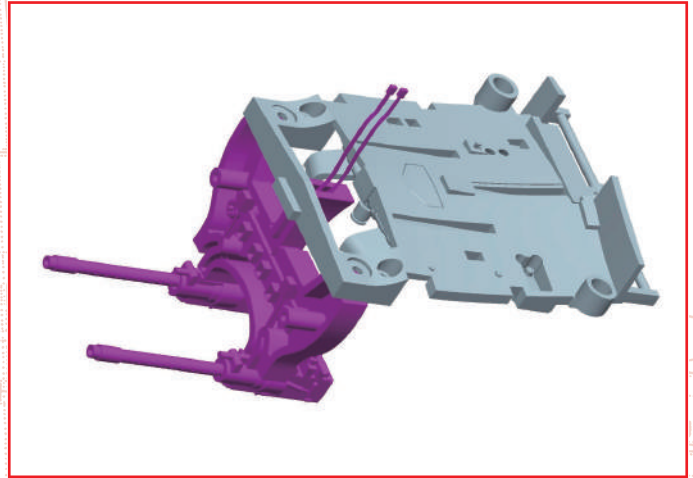
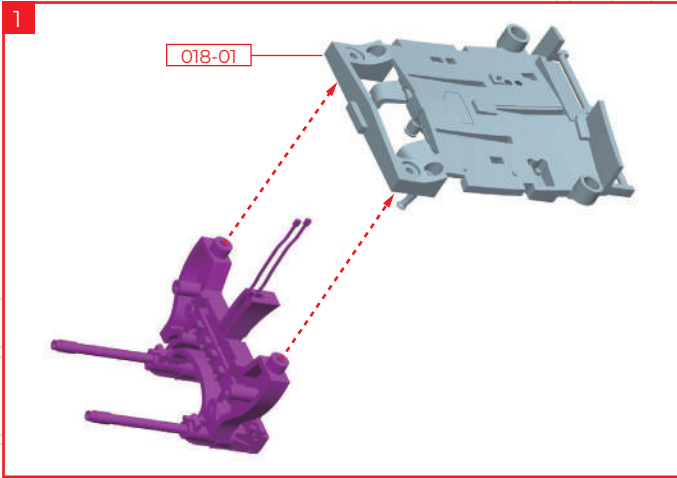
Installing the controls



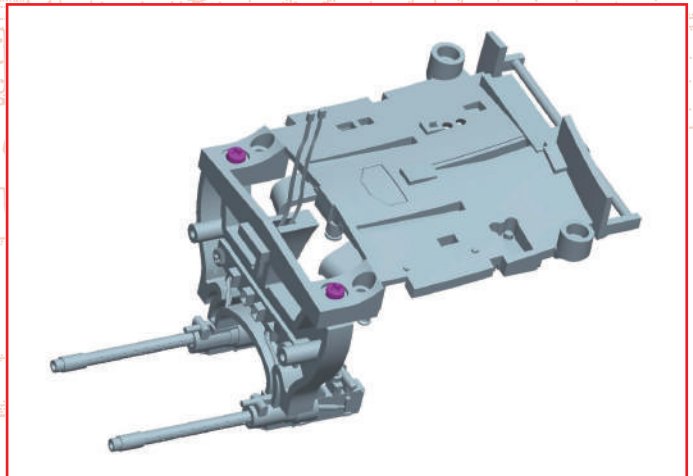
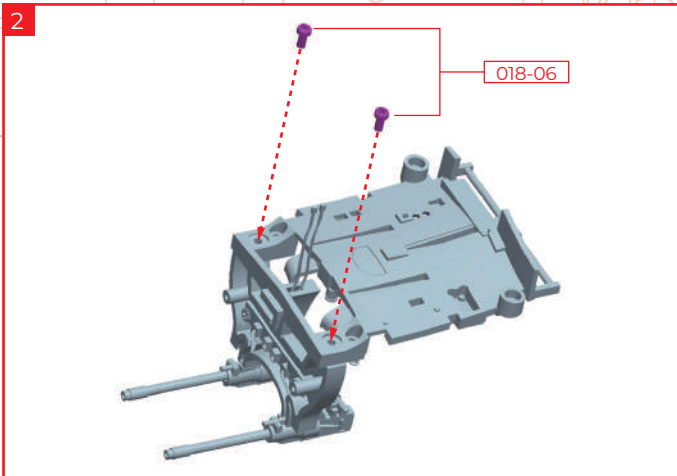
Glue the foot pedal 020-04 and the manual fuel pump handle 020-05 to the cockpit floor assembled in stage 18. The control stick and column 020-06 should be fitted but not glued.

STEP 3

Installing the 7.7 mm machine gun assembly

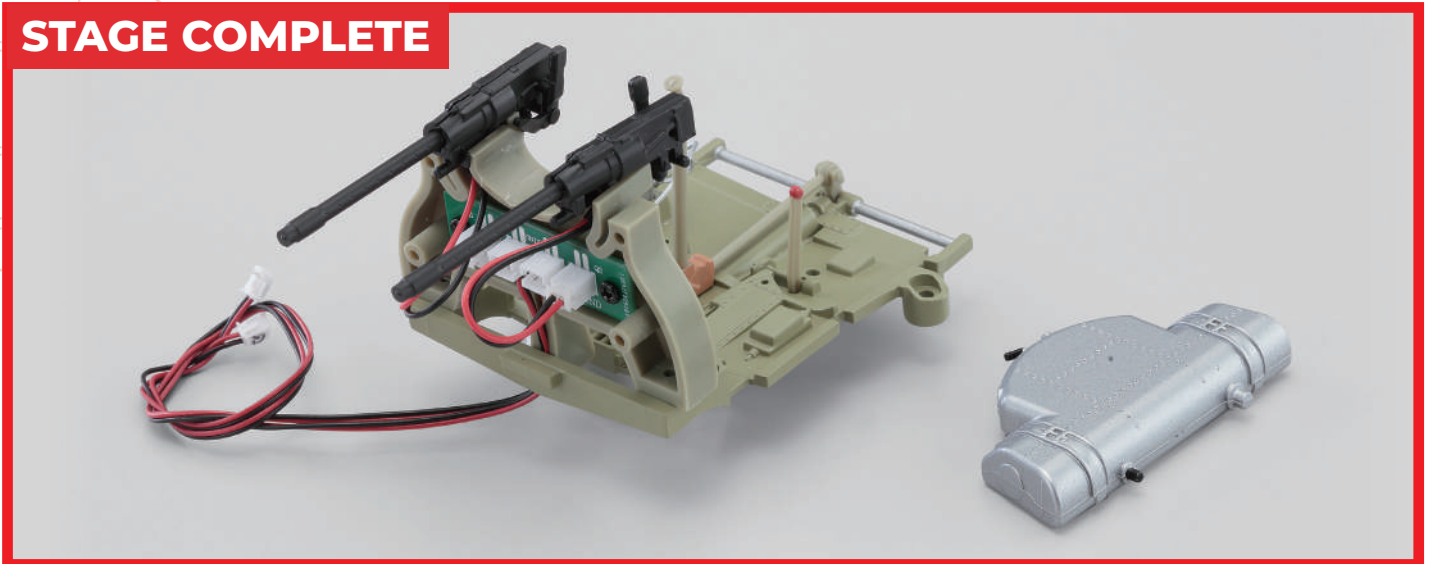


Fit the machine gun unit assembled in STEP 1 into the cockpit floor.



Secure the machine gun and cockpit floor with the two screws 018-06 that came with stage 18. Be careful not to trap the wires on the board.

STAGE COMPLETE

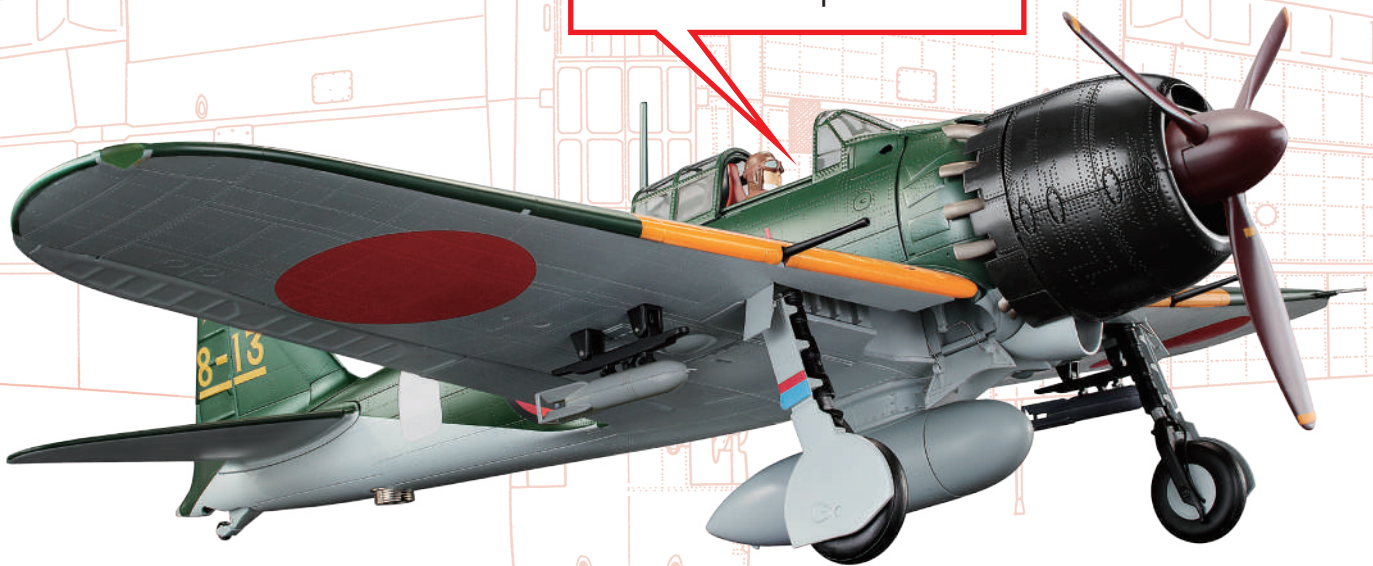


Stage 21: Cockpit Assembly (4)

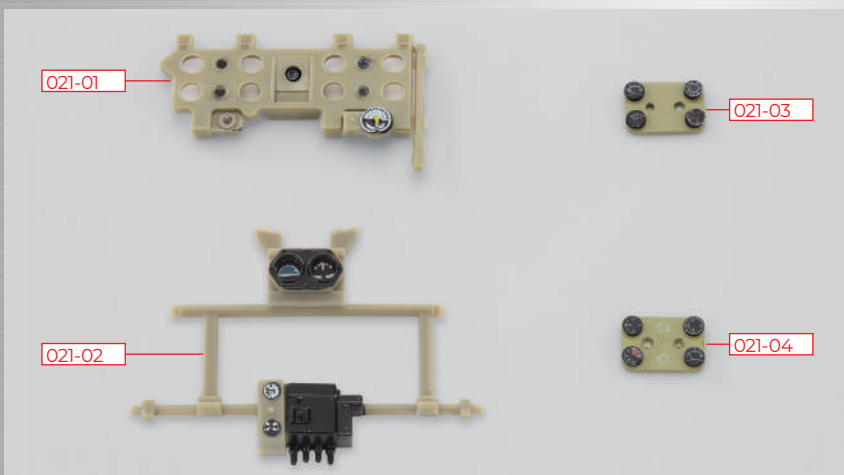
Next, the instrument panel will be assembled and glued to its frame.

Stage 21 Assembly

Cockpit



STAGE 21 PARTS



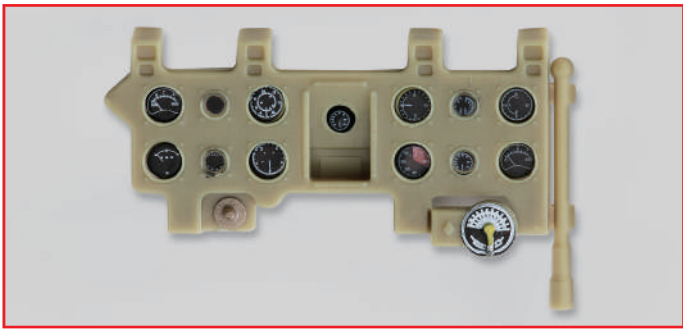
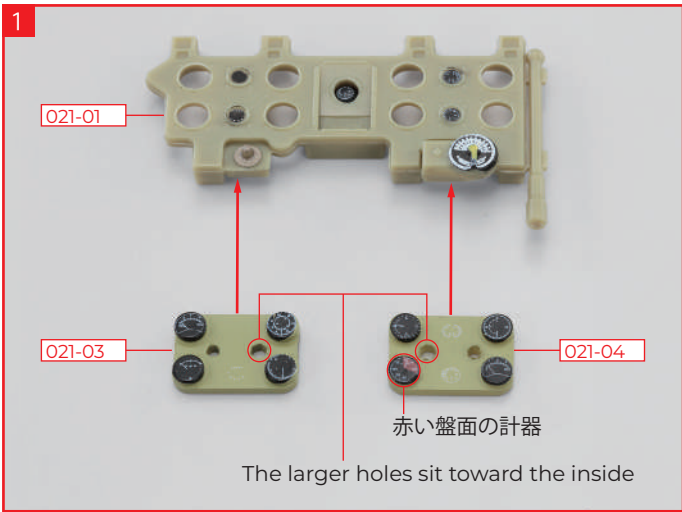
You will also need: superglue.

PARTS LIST

	Part	No.	Material
<input type="checkbox"/>	021-01	1	ABS resin
<input type="checkbox"/>	021-02	1	ABS resin
<input type="checkbox"/>	021-03	1	ABSresin
<input type="checkbox"/>	021-04	1	ABS resin

STEP 1

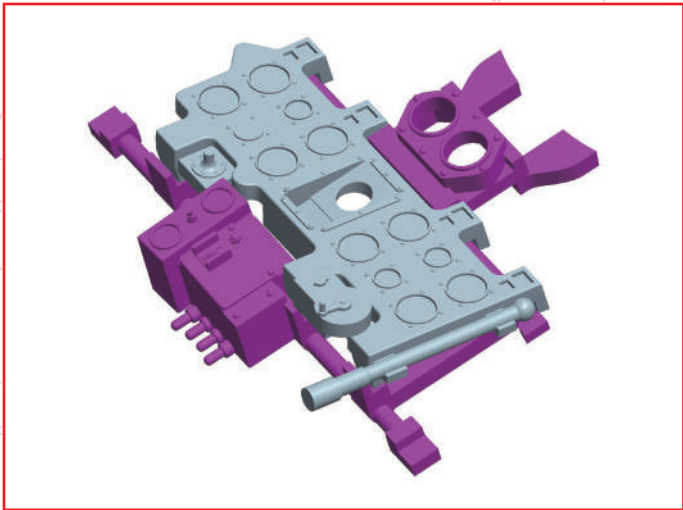
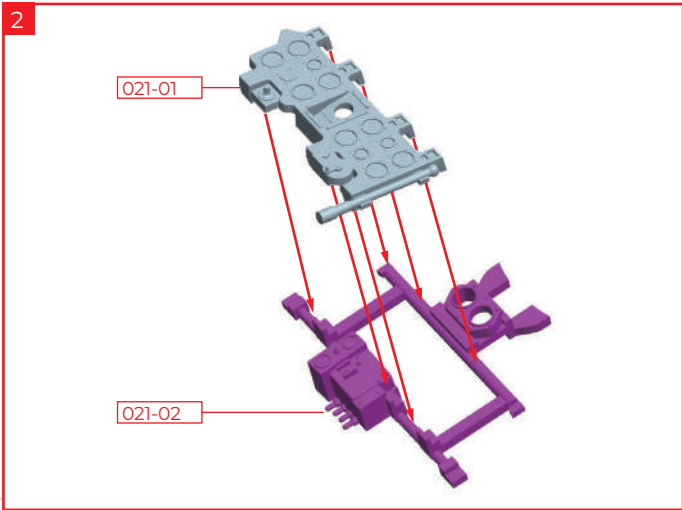
← : Glue
 - - - : Don't Glue



NOTE

The instruments 021-03 & 021-04 are similar so don't make a mistake. Instrument 021-04 has a red section on the board.

Align the two pegs on the back of the instrument panel 021-01 with the holes on the instruments 021-03 & 021-04 and glue them together.



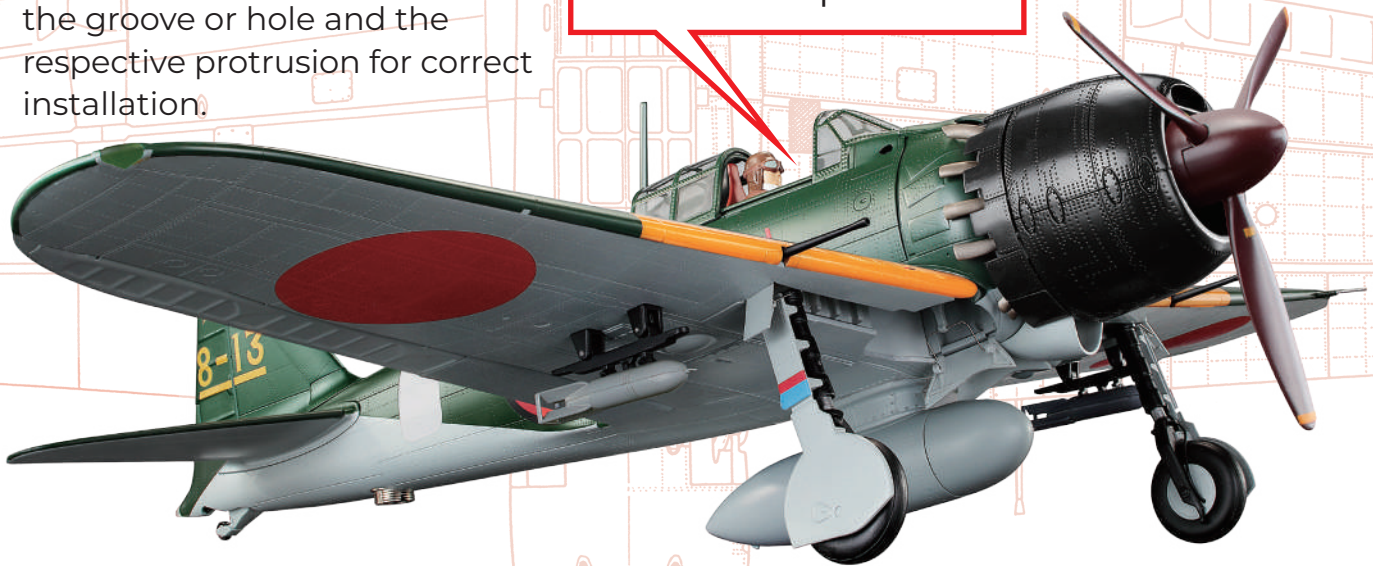
Glue the instrument panel assembled in 1 to the frame 021-02. Pay attention to the orientation and the areas to glue. The instrument panel and 021-02 are glued at a slight diagonal.



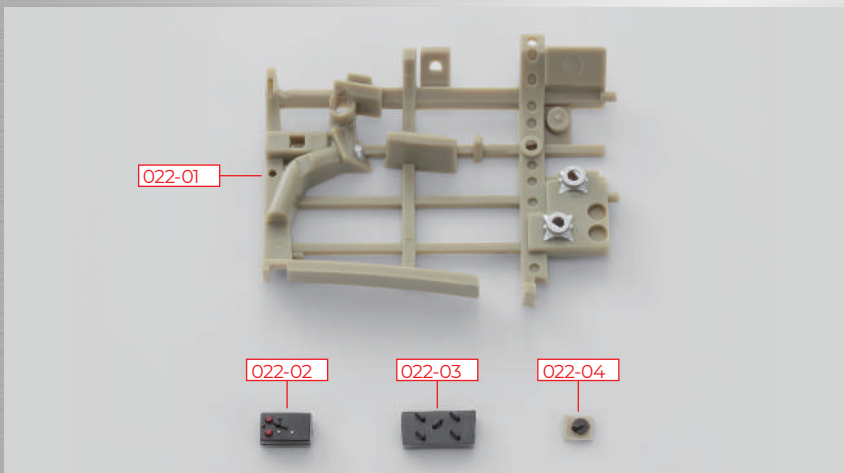
Stage 22: Cockpit Assembly (5)

In this stage, instruments and control knobs will be glued to the frame on the right side of the cockpit. Match the shape of the groove or hole and the respective protrusion for correct installation.

Stage 22 Assembly
 Cockpit



STAGE 22 PARTS



You will also need: superglue, tweezers.

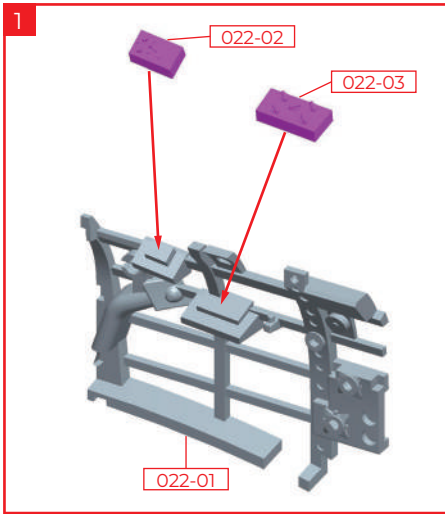
PARTS LIST

	Part	No.	Material
<input type="checkbox"/>	022-01	1	ABS resin
<input type="checkbox"/>	022-02	1	ABS resin
<input type="checkbox"/>	022-03	1	ABS resin
<input type="checkbox"/>	022-04	1	ABS resin

STEP 1

Installing the right-hand side instruments

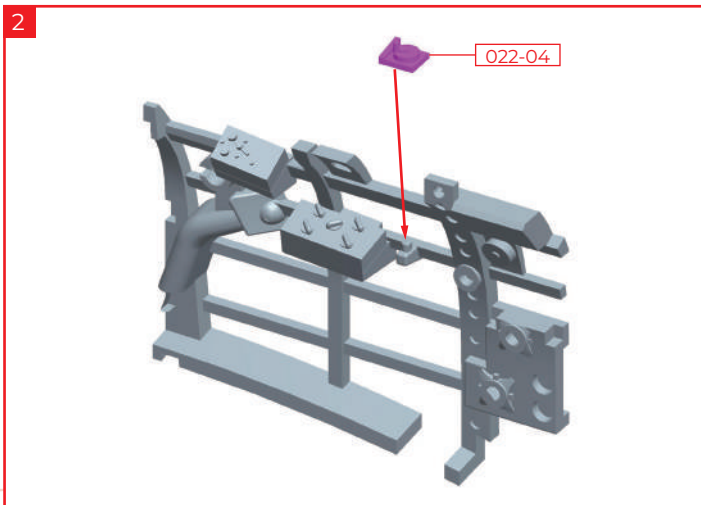
← : Glue
 - - - : Don't Glue



NOTE

Check the orientation of instruments 022-02 & 022-03. The front edge is closest to the bottom part of the photo.

Glue the radio direction finder control 022-02 & radio telephone control 022-03 to the right-side frame 022-01.

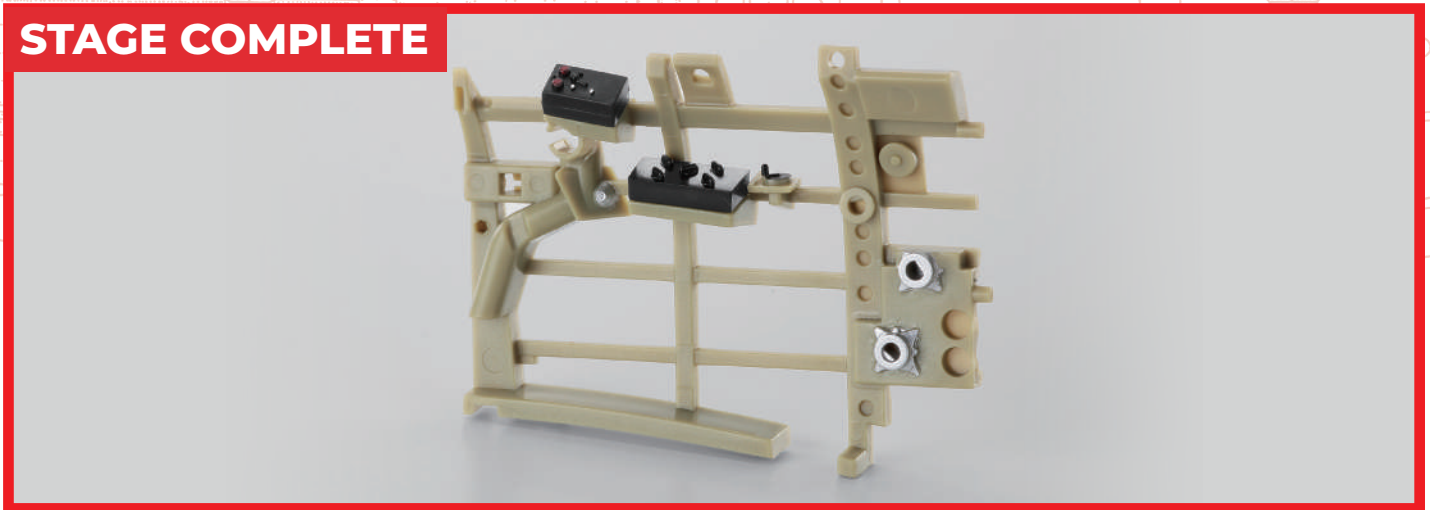


NOTE

Reverse side of the airborne control knob 022-04. The hole is a 'D' shape to determine the correct fixing position onto 022-01.

Glue the airborne control knob for radio direction finder control 022-04 to the frame 022-01.

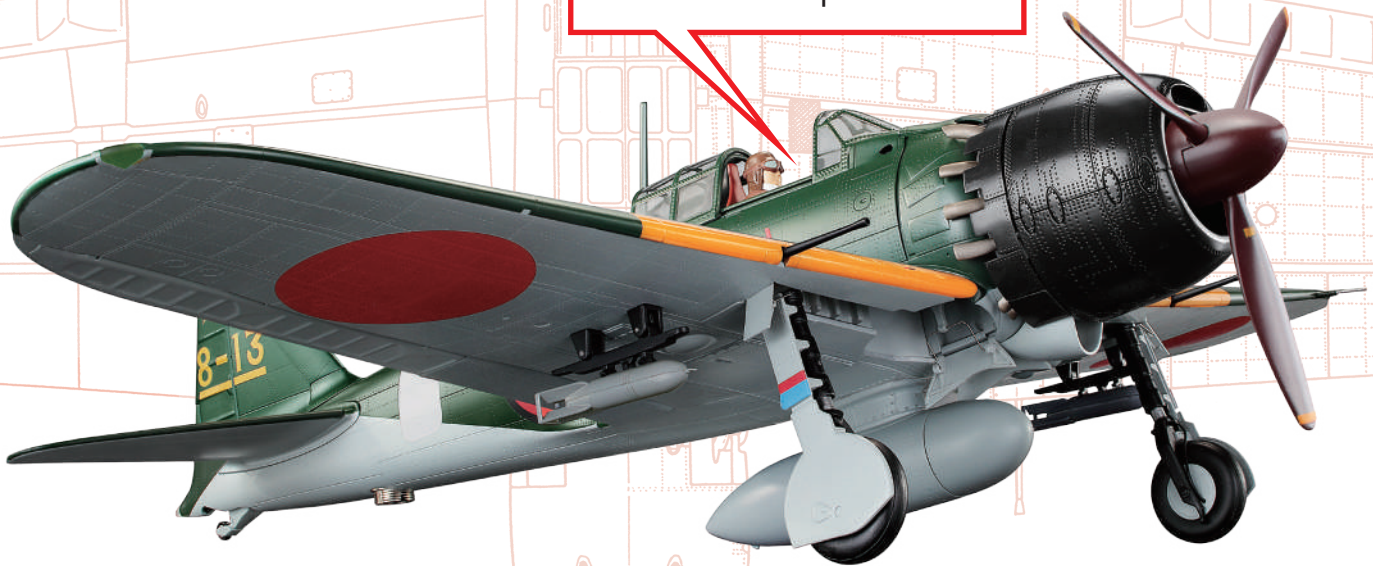
STAGE COMPLETE



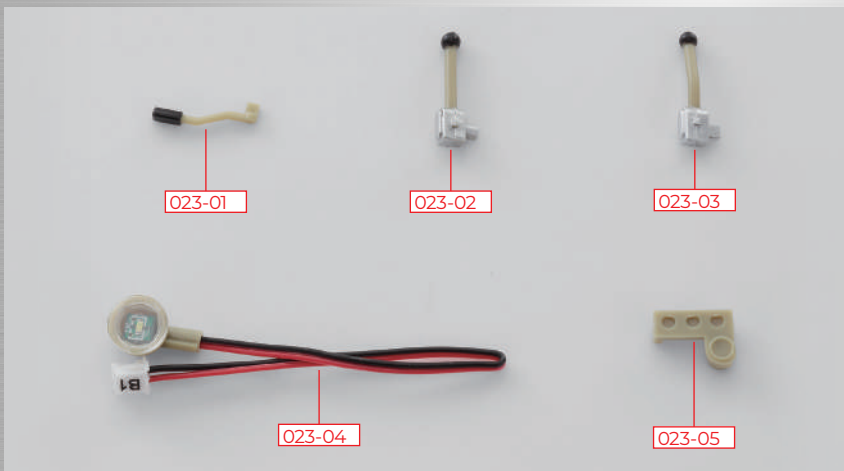
Stage 23: Cockpit Assembly (6)

Carrying on with adjustment knobs and instruments on the right side of the cockpit.

Stage 23 Assembly
Cockpit



STAGE 23 PARTS



You will also need: superglue, tweezers.

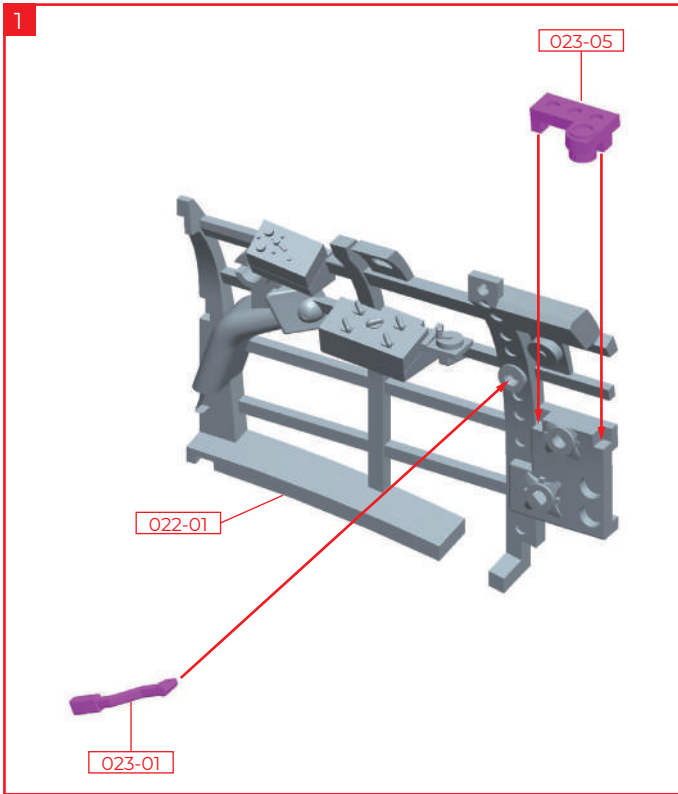
PARTS LIST

	Part	No.	Material
<input type="checkbox"/>	023-01	1	ABS resin
<input type="checkbox"/>	023-02	1	ABS resin
<input type="checkbox"/>	023-03	1	ABS resin
<input type="checkbox"/>	023-04	1	LED•ABS resin
<input type="checkbox"/>	023-05	1	ABS resin

STEP 1

Installing the lever on the right side of the cockpit

← : Glue
 - - - : Don't Glue

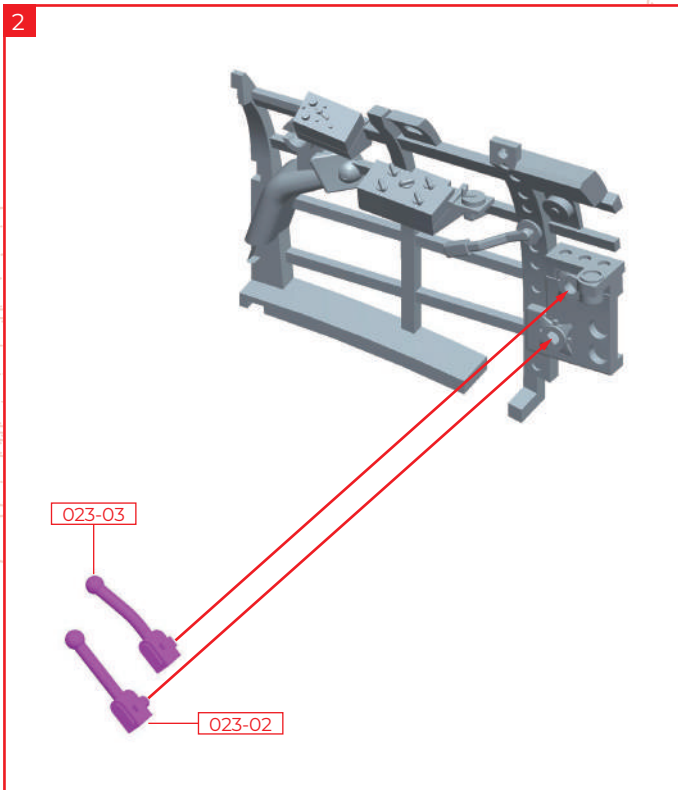


NOTE

The hole on the frame for part 023-01 is a 'D' shape to determine the correct orientation.



Glue the tailhook operation lever 023-01 and panel 023-05 to the right-side frame 022-01 assembled in stage 22.



NOTE

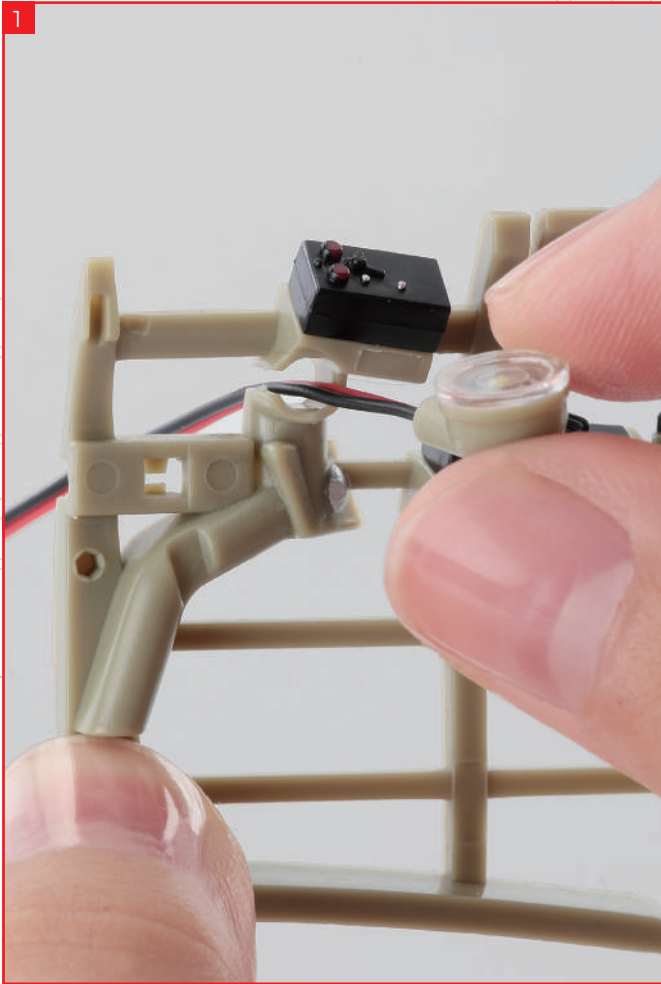
Parts 023-02 & 023-03 are similar in shape so be careful not to make a mistake. The lever bent into a dogleg shape is 023-03.



Glue flap selector lever 023-02 & landing gear selector lever 023-03 to frame 022-01.

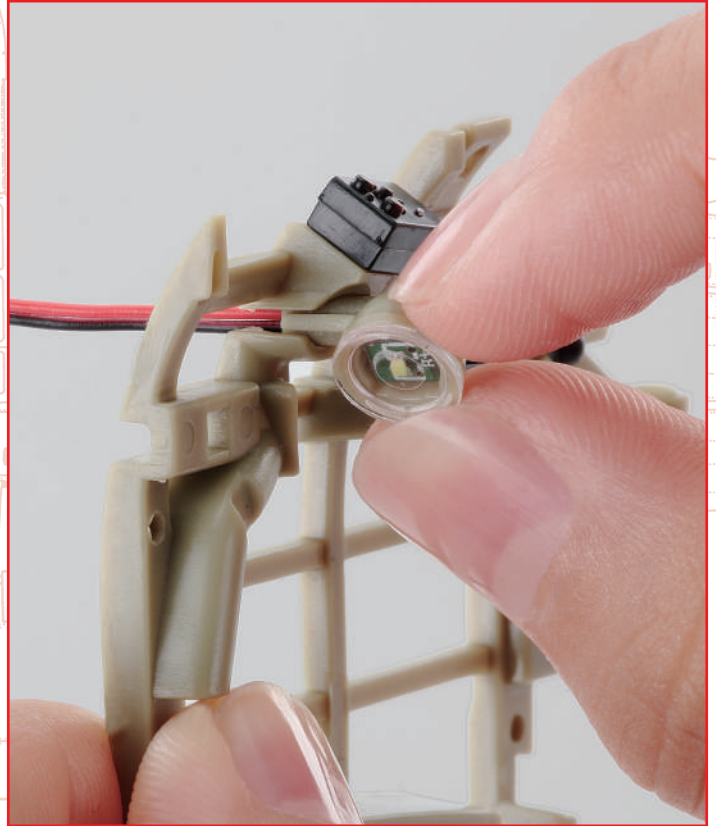
STEP 2

Mounting the cockpit light (right)



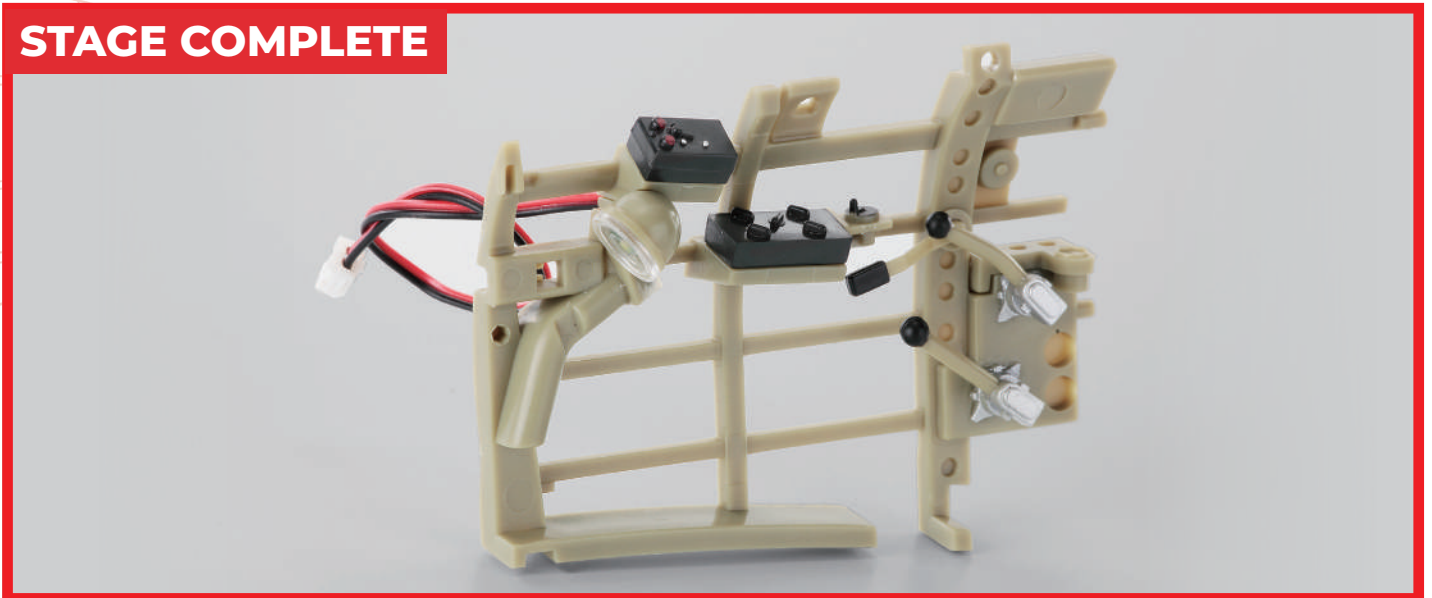
NOTE

Align the notch on light 023-04 with the gap in frame 022-01.



Thread the wire of the cockpit light 023-04 through the channel in the hole of frame 022-01 and push the light into place. It does not glue.

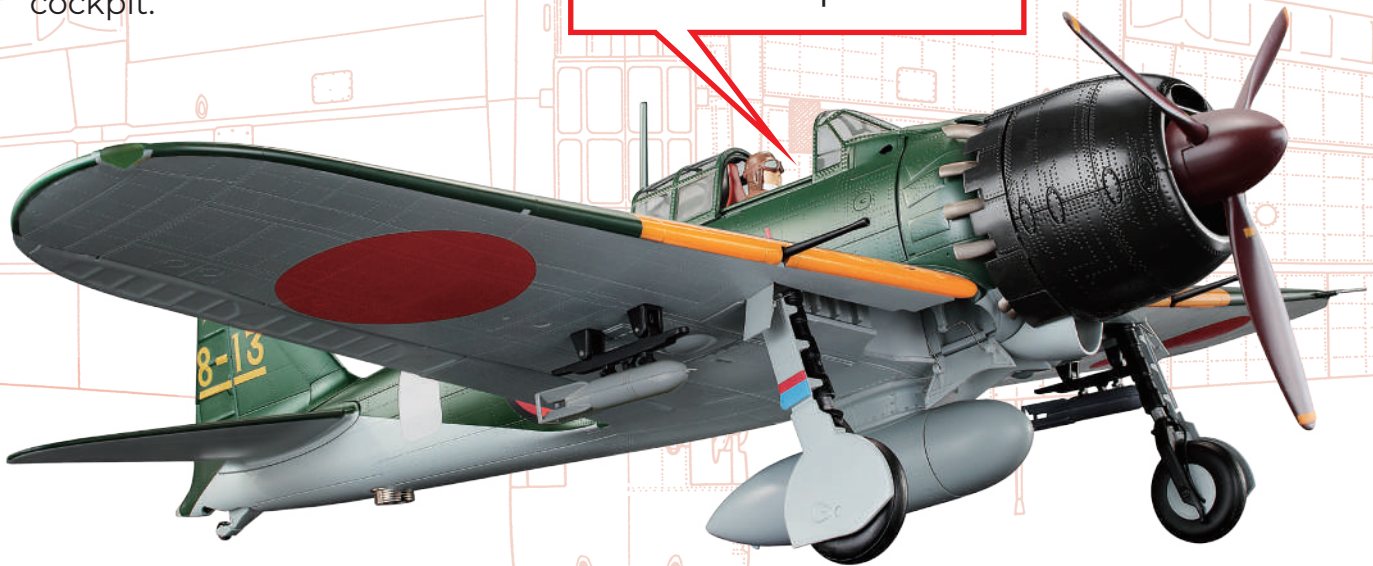
STAGE COMPLETE



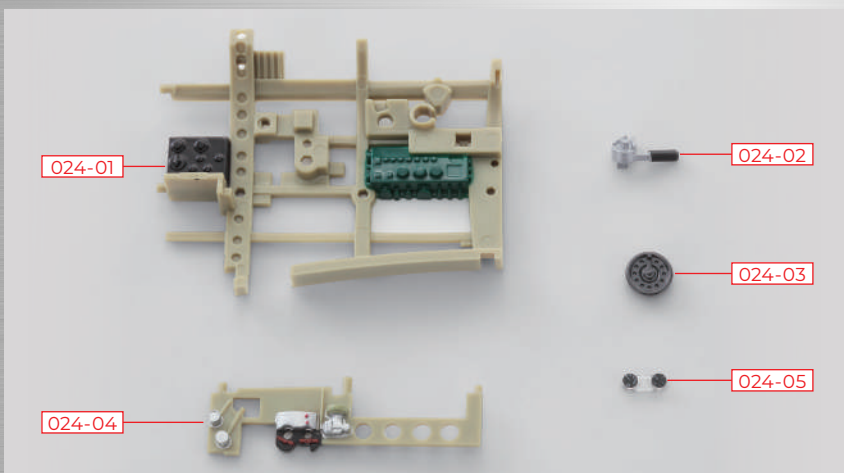
Stage 24: Cockpit Assembly (7)

In stage 24, further handles and instruments will be added to the left and right sides of the cockpit.

Stage 24 Assembly
 Cockpit



STAGE 24 PARTS



You will also need: superglue, tweezers.

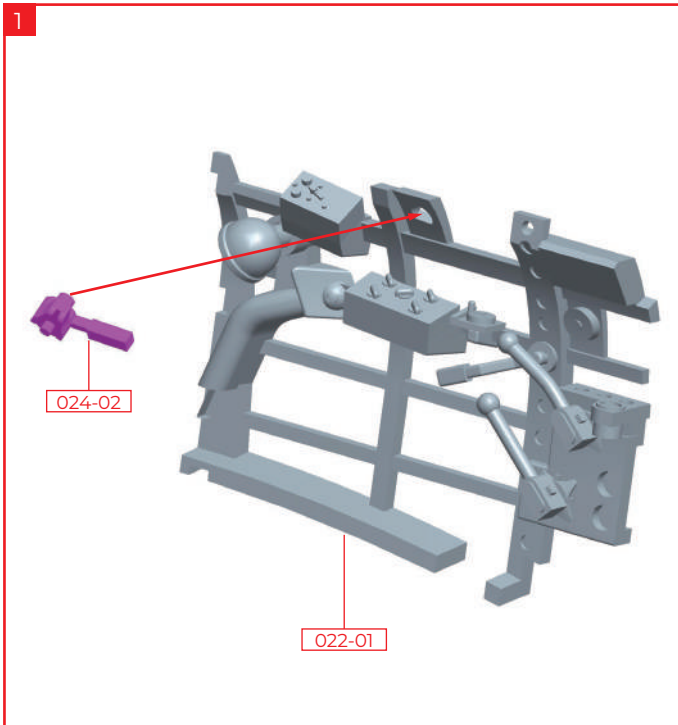
PARTS LIST

	Part	No.	Material
<input type="checkbox"/>	024-01	1	ABS resin
<input type="checkbox"/>	024-02	1	ABS resin
<input type="checkbox"/>	024-03	1	ABS resin
<input type="checkbox"/>	024-04	1	ABS resin
<input type="checkbox"/>	024-05	1	Plastic

STEP 1

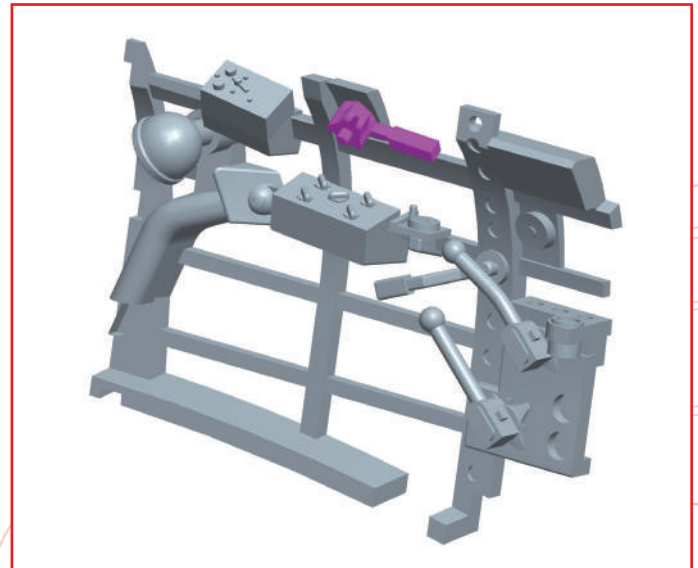
Installing the right-hand side handle

← : Glue
- - - : Don't Glue



NOTE

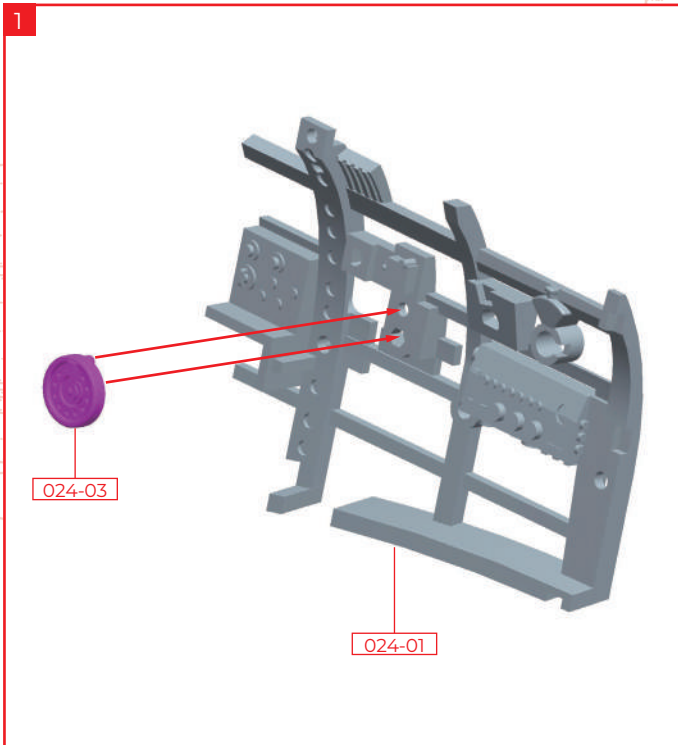
The fixing for 024-02 is 'D' shaped to determine the correct orientation.



Glue the tailhook crank handle 024-02 to the right-side cockpit frame 022-01 assembled in stage 23.

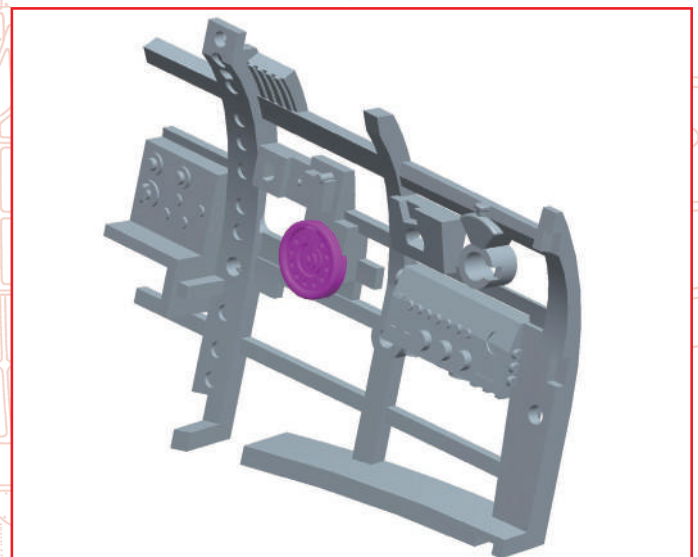
STEP 2

Installing the left-hand side control wheel



NOTE

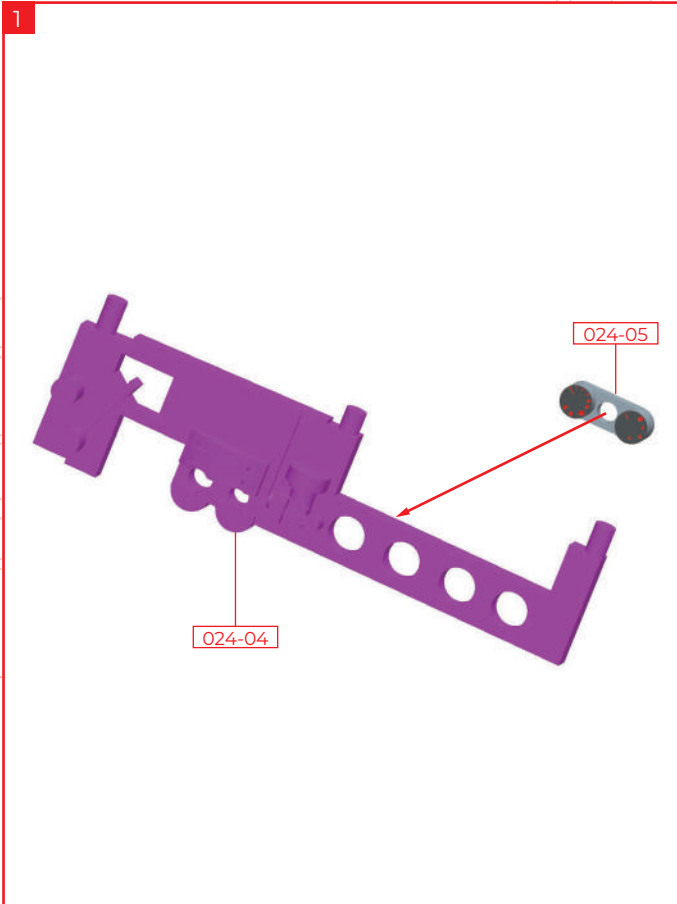
The two fixing pegs on the back of 024-03 are different thicknesses. Check you have the top and bottom pegs in the correct orientation.



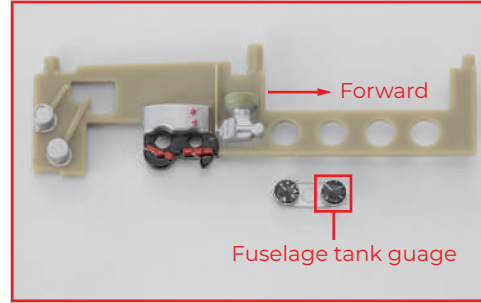
Glue the elevator correction wheel 024-03 to the left frame 024-01 of the cockpit.

STEP 3

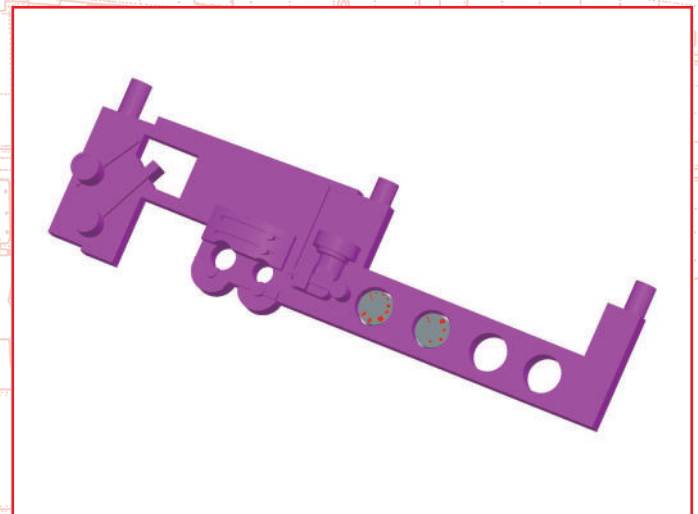
Installing the fuel indicator



NOTE

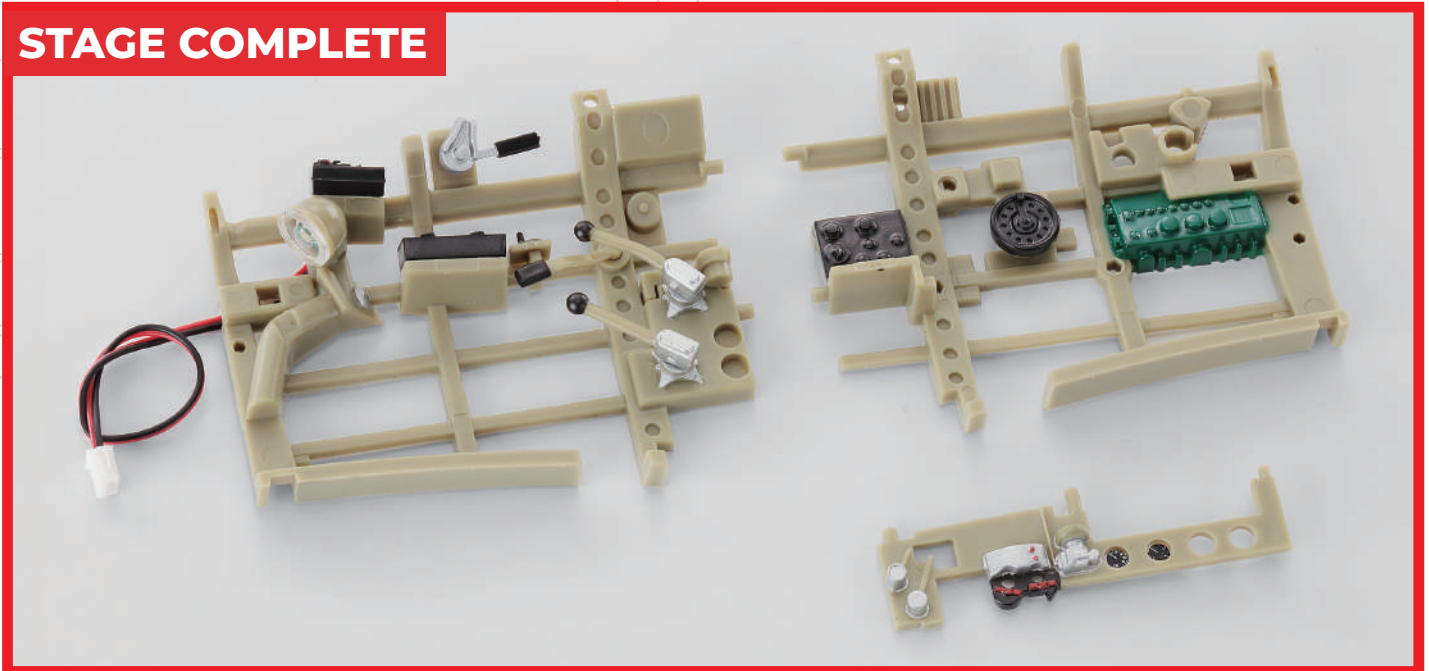


Place the instrument panel 024-04 in the direction shown and glue so that the gauge with less scale on the dial (the fuselage tank gauge) is on the right.



Push the hole of the fuel indicator 024-05 over the lug on the back of instrument panel 024-04 and glue in place.

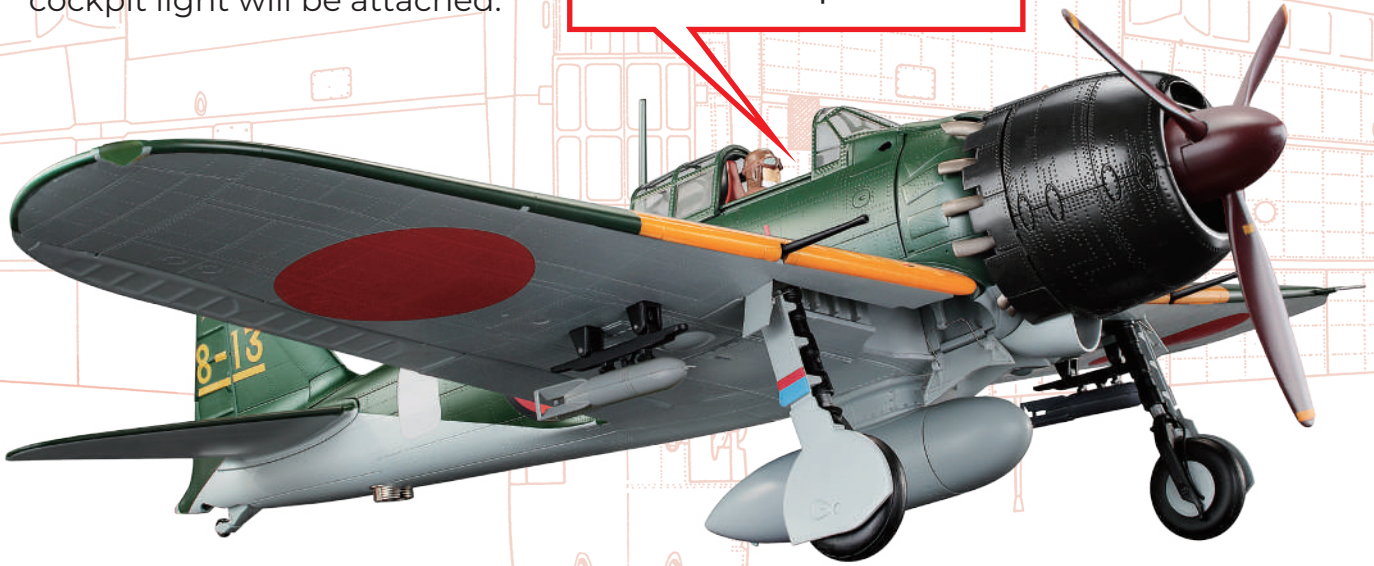
STAGE COMPLETE



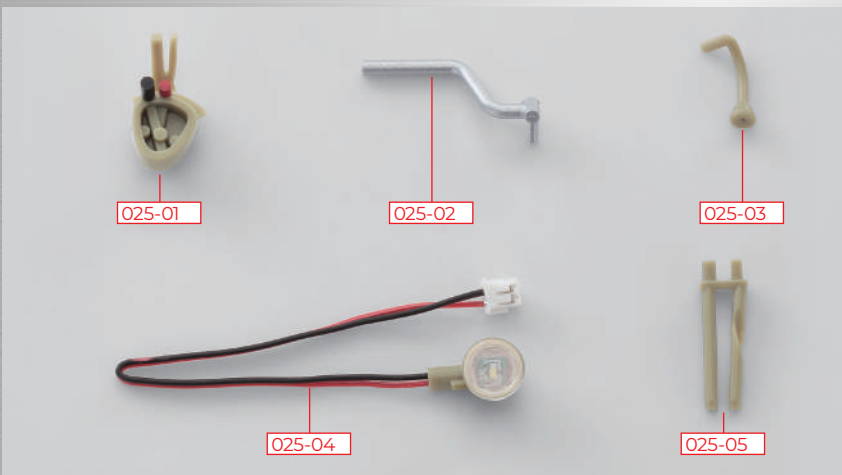
Stage 25: Cockpit Assembly (8)

More levers and instruments will be added to the left-side of the cockpit frame and the cockpit light will be attached.

Stage 25 Assembly
 Cockpit



STAGE 25 PARTS



You will also need: superglue, tweezers.

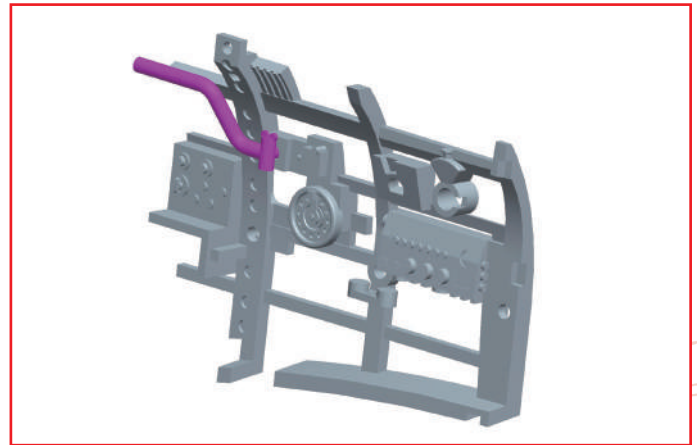
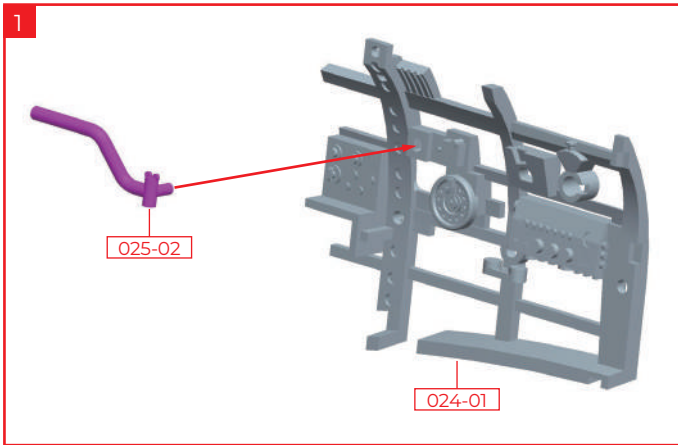
PARTS LIST

	Part	No.	Material
<input type="checkbox"/>	025-01	1	ABS resin
<input type="checkbox"/>	025-02	1	ABS resin
<input type="checkbox"/>	025-03	1	ABS
<input type="checkbox"/>	025-04	1	LED•ABS resin
<input type="checkbox"/>	025-05	1	ABS resin

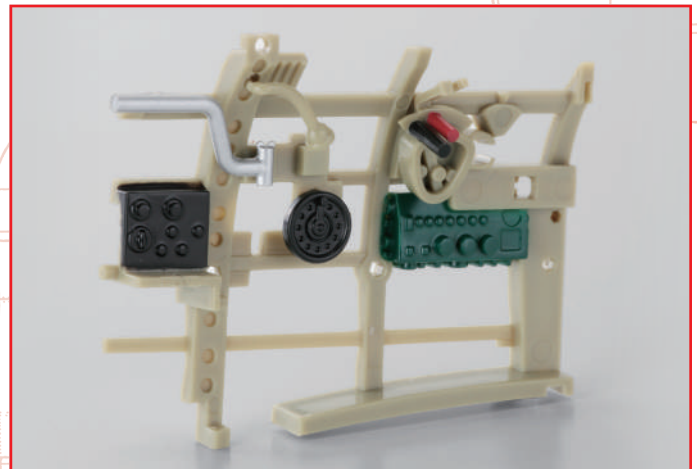
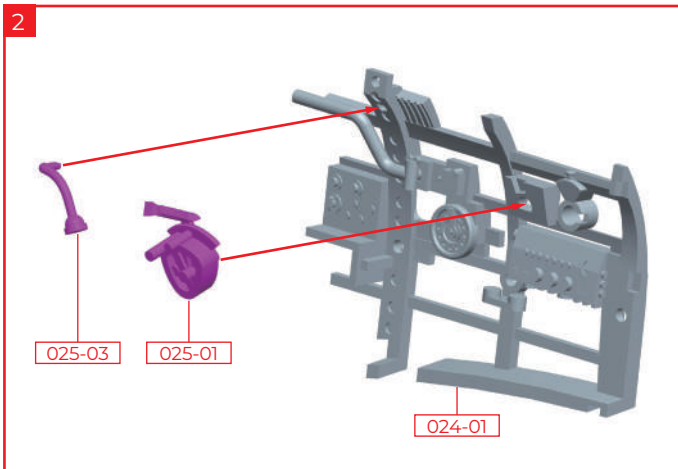
STEP 1

Attaching the left-hand side levers

← : Glue
 - - - : Don't Glue



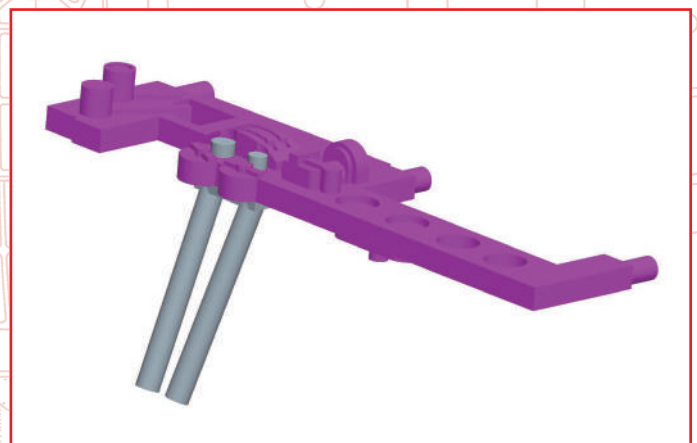
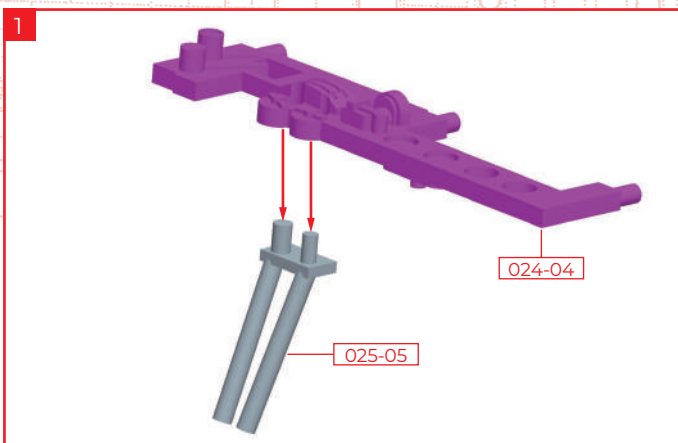
Glue the emergency floating gear cock and piping 025-02 to the left-side frame 024-01 assembled in stage 24. The fixing is 'D' shaped to determine the correct orientation.



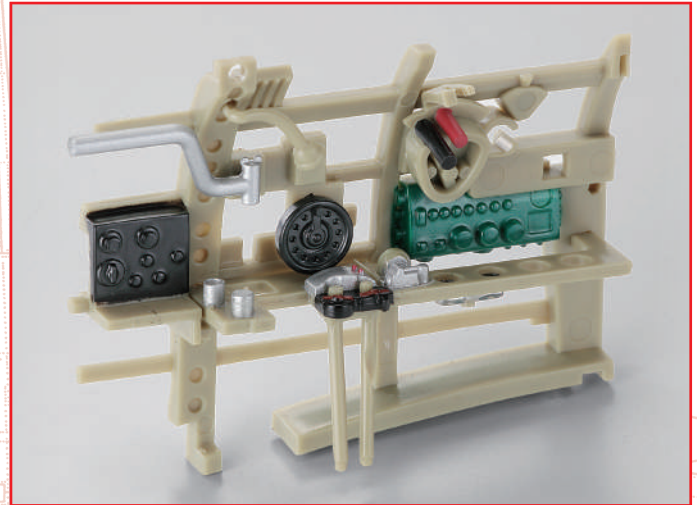
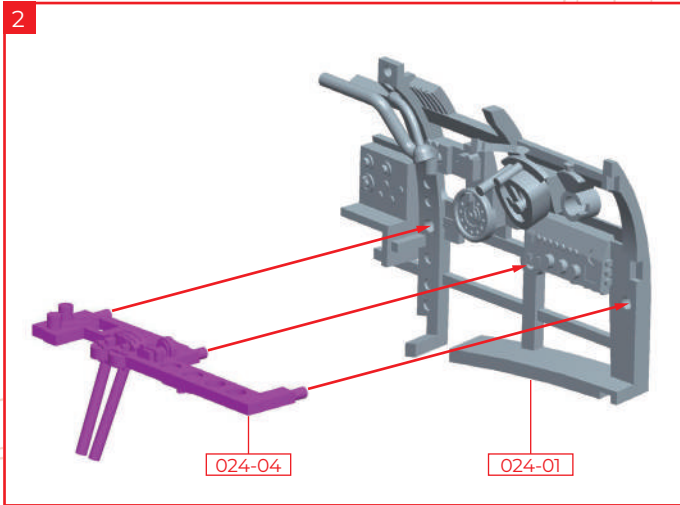
Glue the throttle lever, mixture control lever, propeller control lever 025-01 and seat light 025-03 to the left-side frame 024-01. These parts have a 'D' shaped fixing.

STEP 2

Attaching the left-hand side instrument panel



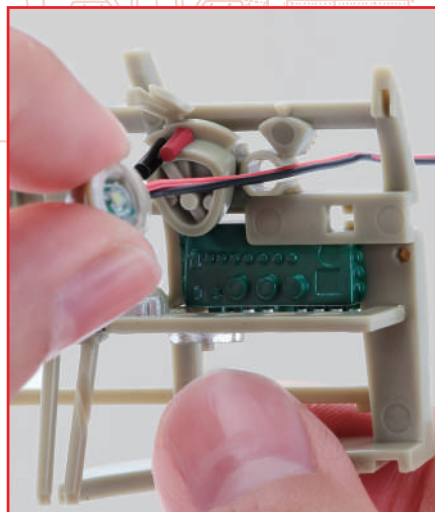
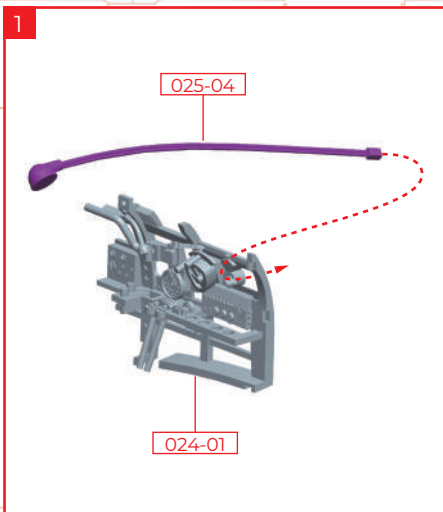
Glue the fuel tank switching pipe 025-05 to the instrument panel 024-04 assembled in stage 24. Be careful not to confuse the left and right as the thicknesses of the fixing pins is different.



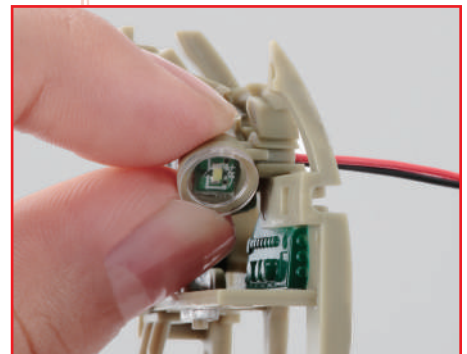
Push the three pegs on the instrument panel 024-04 into the holes of the left-side frame 024-01 and glue them together.

STEP 3

Installing the left cockpit light

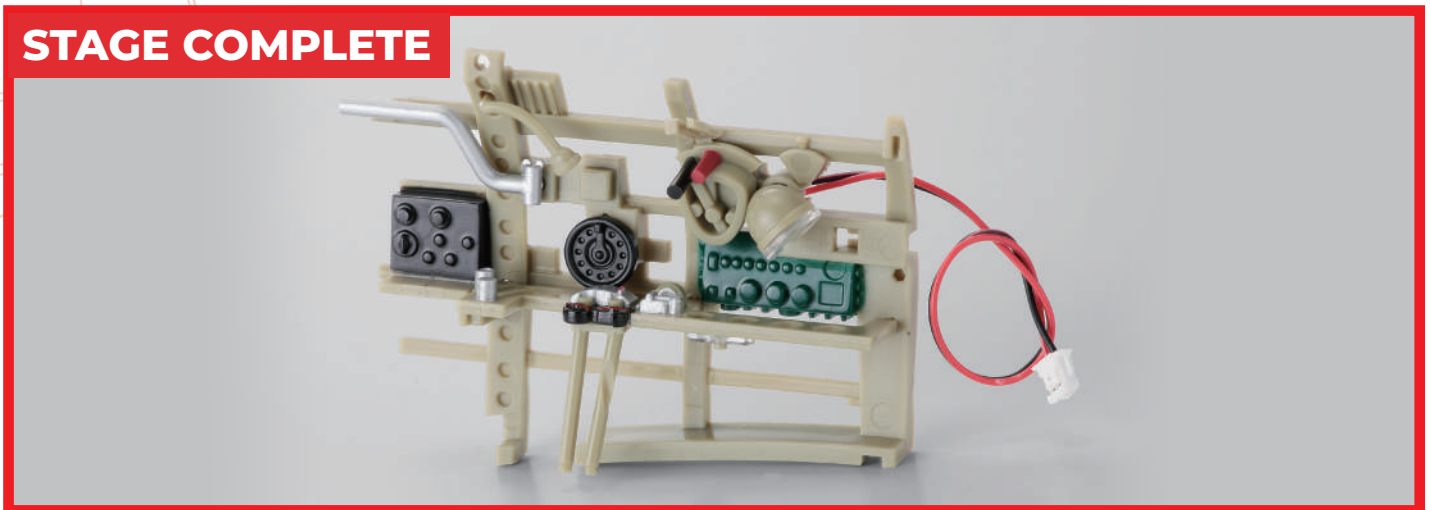


NOTE
This shows the correct orientation of the light.



Thread the wire of the cockpit light 025-04 through the channel of the left-side frame 024-01 and push the light into place. It does not glue.

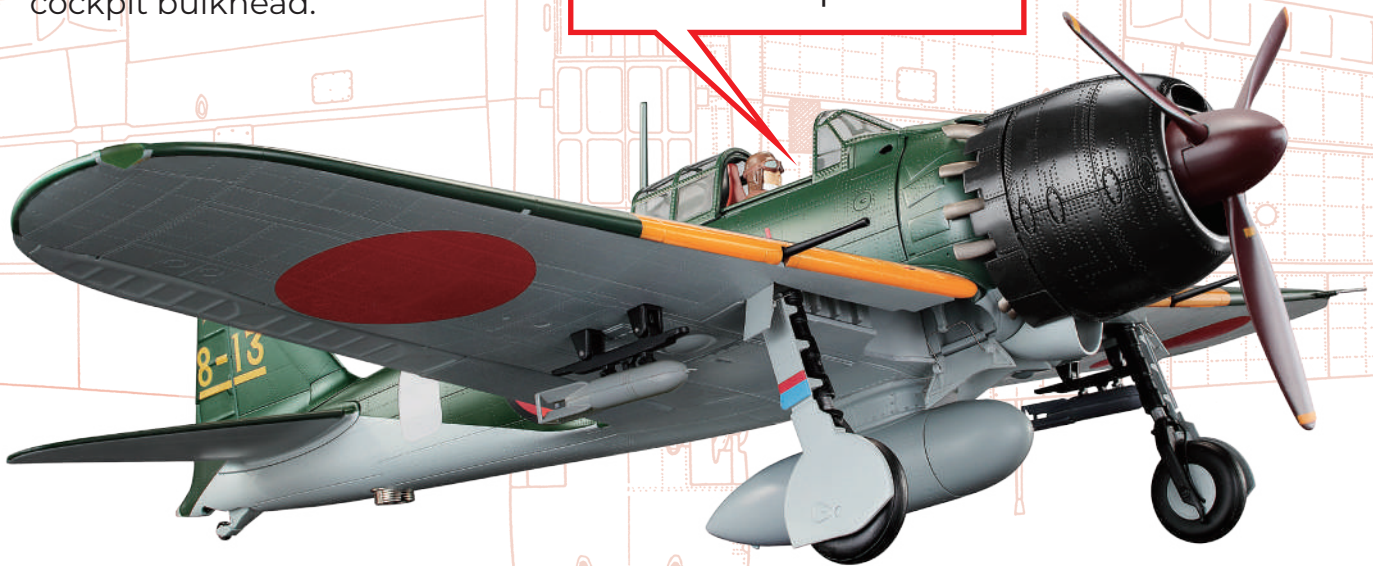
STAGE COMPLETE



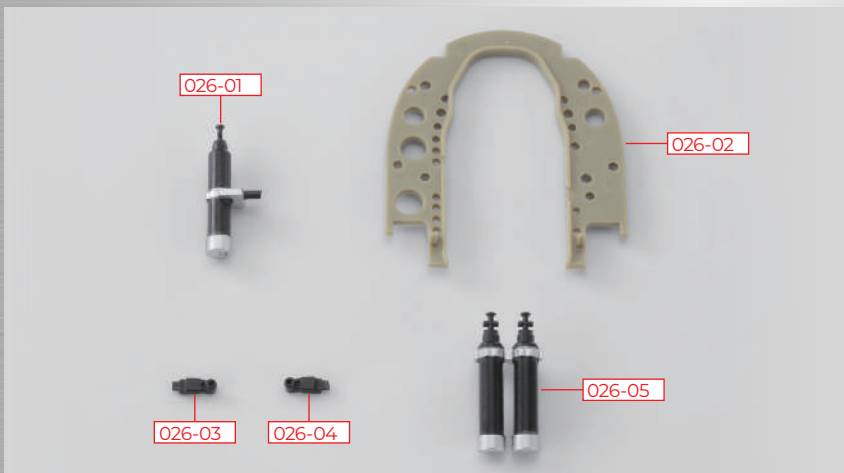
Stage 26: Cockpit Assembly (9)

In this final stage of Pack 3, you will be attaching the oxygen tank and pilot seat to the rear cockpit bulkhead.

Stage 26 Assembly
 Cockpit



STAGE 26 PARTS



You will also need: superglue.

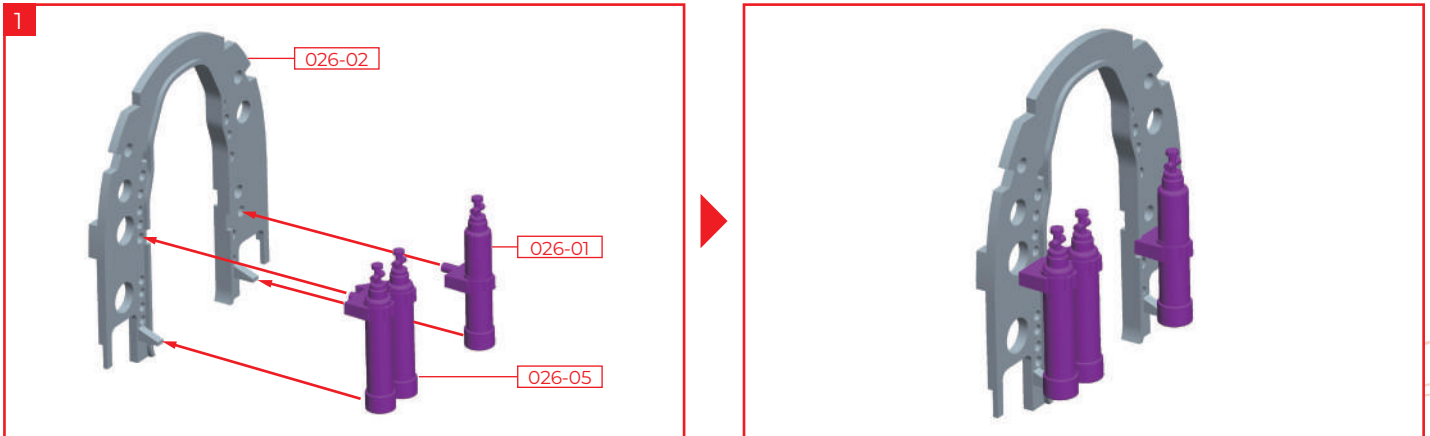
PARTS LIST

	Part	No.	Material
<input type="checkbox"/>	026-01	1	ABS resin
<input type="checkbox"/>	026-02	1	ABS resin
<input type="checkbox"/>	026-03	1	Die-cast
<input type="checkbox"/>	026-04	1	Die-cast
<input type="checkbox"/>	026-05	1	ABS resin

STEP 1

Installing the oxygen tank

← : Glue
- - - : Don't Glue

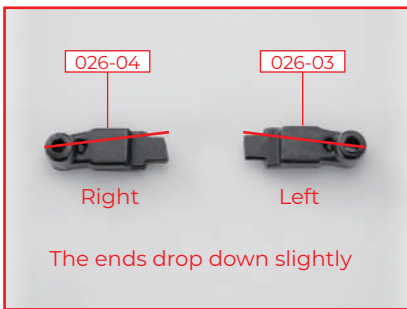


Glue oxygen tanks 026-01 & 026-05 onto the lugs at the bottom of the rear bulkhead 026-02. Check that tank 026-05, which is a 2-piece set, is on the left side of the cockpit.

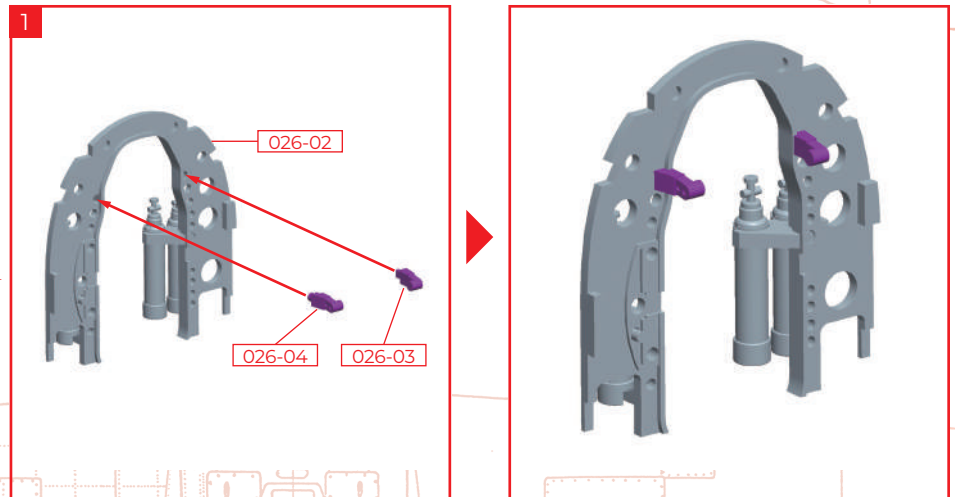
STEP 2

Installing the pilot seat frame

NOTE



The seat frames 026-03 & 026-04 have a slightly lowered tip with a hole. Be careful not to fix them the wrong way round.



Glue the holes of the pilot's seat frame (left) 026-03 and pilot's seat frame (right) 026-04 to the opposite side of the rear bulkhead 026-02 so that they face inward. **Erratum: Don't glue in part 026-03 until the seat is fitted in stage 27.**

STAGE COMPLETE

