

MITSUBISHI A6M ZERO FIGHTER



Pack 10 | Build Instructions

Your 1:18 model of the Japanese Zero is reproduced in the most exquisite detail, with electronics allowing you to recreate aeronautical operations such as take-off and landing, turning, firing and night combat. Lights, machine-gun and propeller sounds bring your legendary fighter plane to life.

In your tenth model pack, you will assemble:

STAGE 78: INSTALLING THE RIGHT FRONT AND REAR EXTERNAL PANELS

STAGE 79: INSTALLING THE LIFTING DEVICE FOR THE DISPLAY PEDESTAL (2)

STAGE 80: ASSEMBLING THE RIGHT HORIZONTAL TAIL WING AND DISPLAY PEDESTAL

STAGE 81: ASSEMBLING THE DROP TANK AND DISPLAY PEDESTAL

STAGE 82: ASSEMBLING THE GEARBOX FOR THE DISPLAY PEDESTAL LIFTING DEVICE (2)

STAGE 83: ASSEMBLING THE LIMIT SWITCH

STAGE 84: ASSEMBLING THE DISPLAY PEDESTAL



There are excellent videos showing how to build the Zero [here](#).

Advice from the experts

Spare screws are included with each part. Occasionally, you may be instructed to keep spare or unused screws for a later stage.

Keep these spares in a safe place and label them correctly.

Please make sure you don't mix up the screws. They look quite similar, but the threads do vary slightly. Using the wrong screws may damage the parts.

When securing parts together using multiple screws, fit each screw loosely to ensure all the parts are correctly aligned before gently tightening them firmly, but not overtight, in the order in which you placed them.

The screwdriver can be magnetised by stroking it with a magnet (fridge magnet, etc.) enabling it to hold the screws and make assembly easier.

If a screw is tight going into a metal part, do not force it as you may shear the head off. Remove it and put a tiny smear of Vaseline, soap or light oil on the thread. That will lubricate it and make it easier to drive home.

During the course of this build, you will receive many pieces that you will assemble immediately – following the instructions in the corresponding stage – and other pieces that you should store safely to one side, for use in future assembly stages.

When gluing parts together, glue may be applied to either of the two parts. Some experts find it easier to apply glue to a hole rather than a pin. Choose a method that works best for you.

It's a good idea to test fit your parts so that you can check their positioning before gluing.

Not suitable for children under the age of 14. This product is not a toy and is not designed for use in play. Keep the parts out of the reach of small children. Some parts may have sharp edges. Please handle them with care.

Stage 78: Installing the Right Front and Rear External Panels

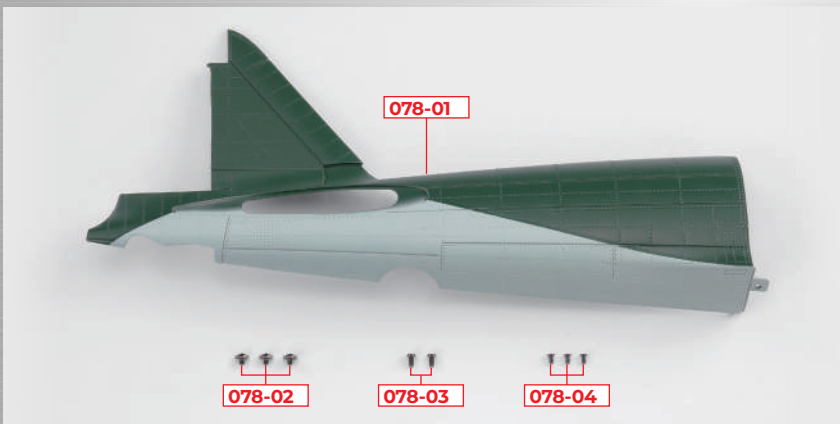


Stage 78 Assembly

External Panels

In this stage we'll be assembling the front and rear external panels for the right side of the aircraft and then attaching them to the main frame.

STAGE 78 PARTS



PARTS LIST

	Part	No.	Material
<input type="checkbox"/>	078-01	1	Die-cast
<input type="checkbox"/>	078-02	3 (1 spare)	Steel
<input type="checkbox"/>	078-03	2 (1 spare)	Steel
<input type="checkbox"/>	078-04	3 (1 spare)	Steel

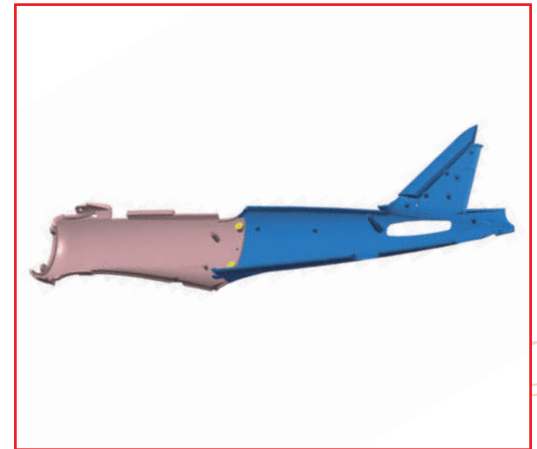
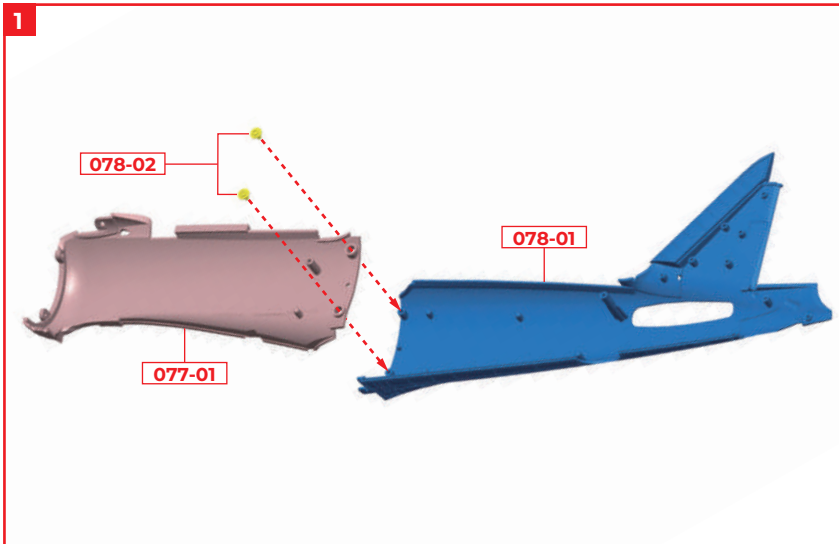
You will also need: screwdriver

*Parts may differ from those shown but this will not affect assembly.

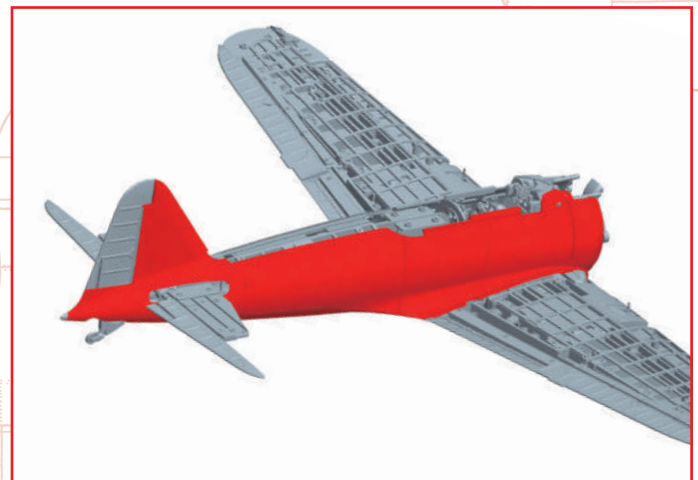
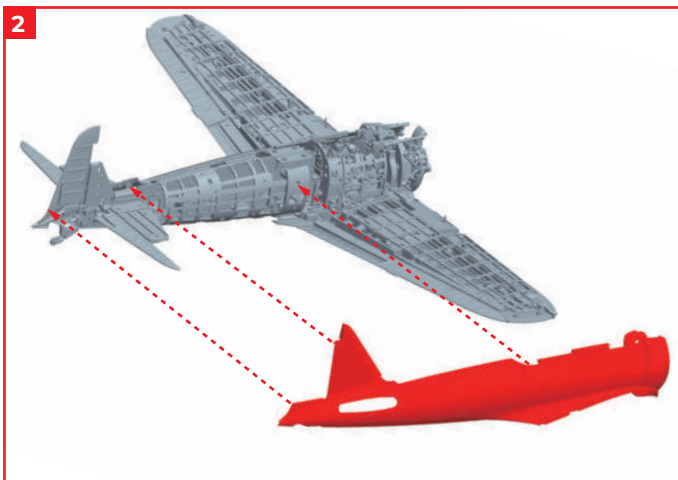
STEP 1

Installing the right front and rear external panels

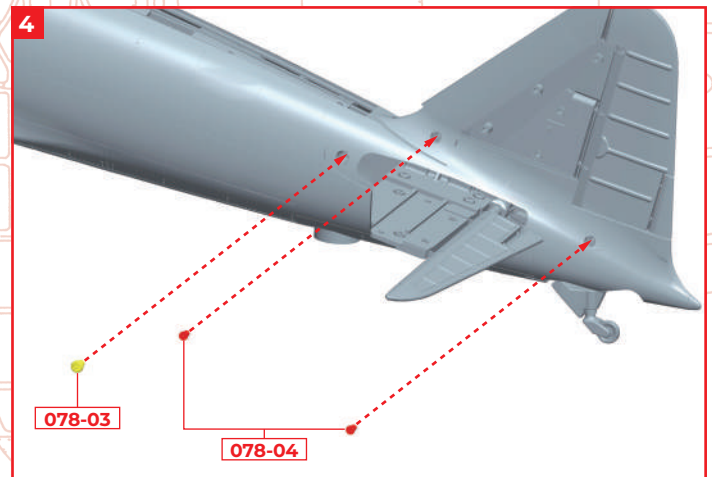
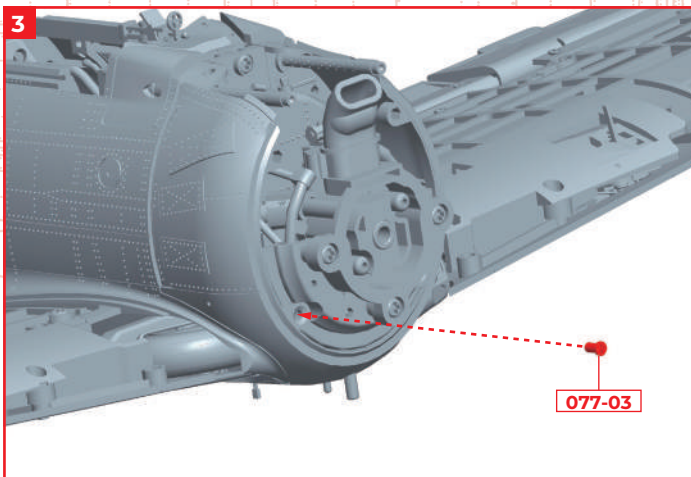
← : Glue
 - - - : Don't Glue



Fit the right front panel **077-01** that came with Stage 77 onto the right rear panel **078-01**, and fix them together with 2 x screws **078-02**.

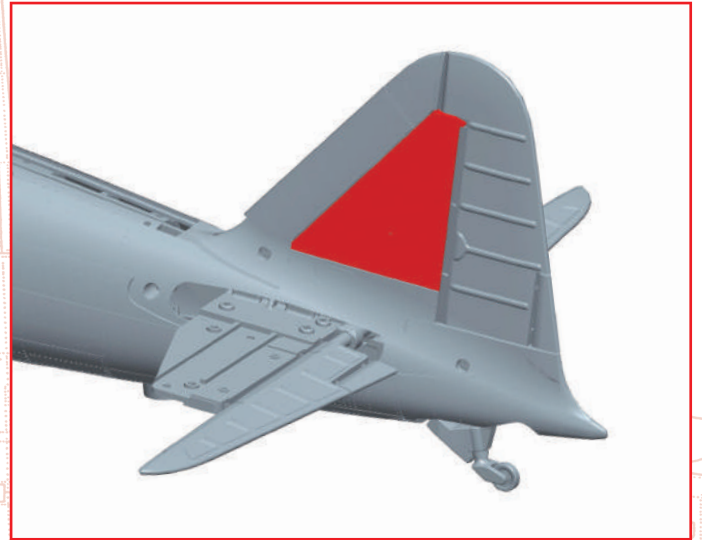
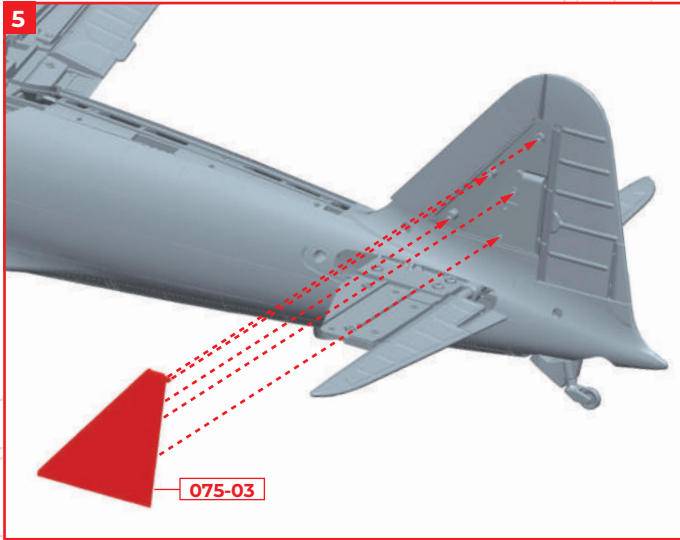


Fit the right external panel assembled in 1 from the right side of the fuselage. Insert the horizontal stabilizer into the hole in the right rear panel **078-01** first, and then push the entire external panel forwards to make it easier to fit.

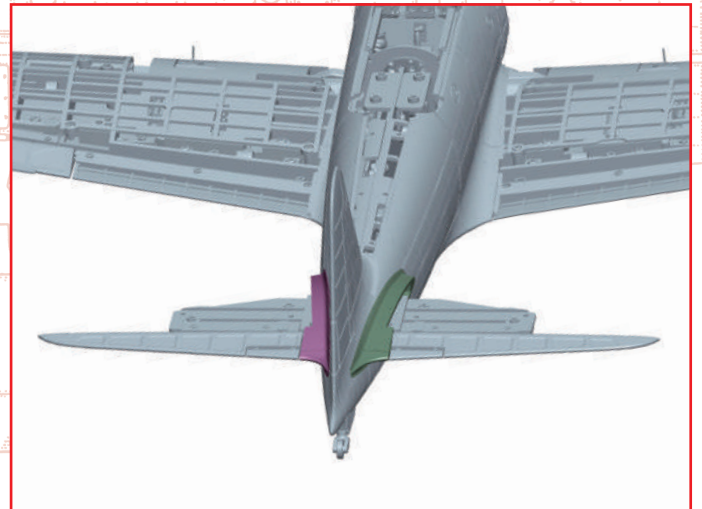
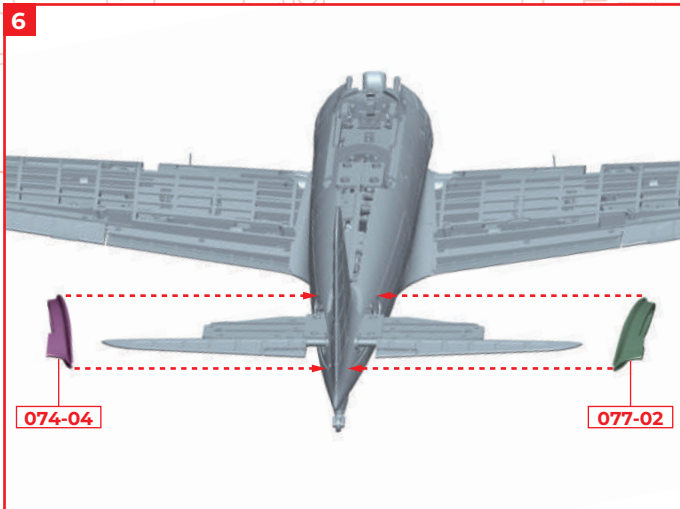


Fix the right front panel **077-01** with the screw **077-03** that came with Stage 77.

Fix one part of the left rear panel **075-01** with 1 x screw **078-03** and fix the right rear panel **078-01** with 2 x screws **078-04**.



Fit the vertical stabiliser 075-03 that came with Stage 75 into place as shown.



Insert the fairing (left) 074-04 that came with Stage 74 onto the elevator (left). Insert the fairing (right) 077-02 that came with Stage 77 onto the elevator (right). Insert the fairing all the way to the base and then push it forward so that it fits into the recess in the rear external panel.

STAGE COMPLETE



Stage 79: Installing the Lifting Device for the Display Pedestal (2)

Stage 79 Assembly

Lifting Device

In this stage we'll be assembling the lifting device to be fitted inside the display, which is a vital component when it comes to making the A6M Zero "fly". Pay extra attention when connecting limit switches up to their corresponding parts.

STAGE 79 PARTS



You will also need: screwdriver

* **079-06**, **079-07**, & **079-09** will not be used in this stage. Keep in a safe place until required.

* Parts may differ from those shown but this will not affect assembly.

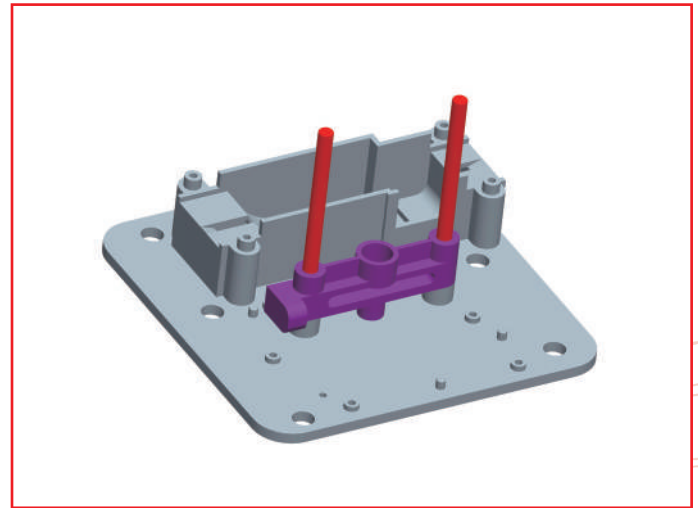
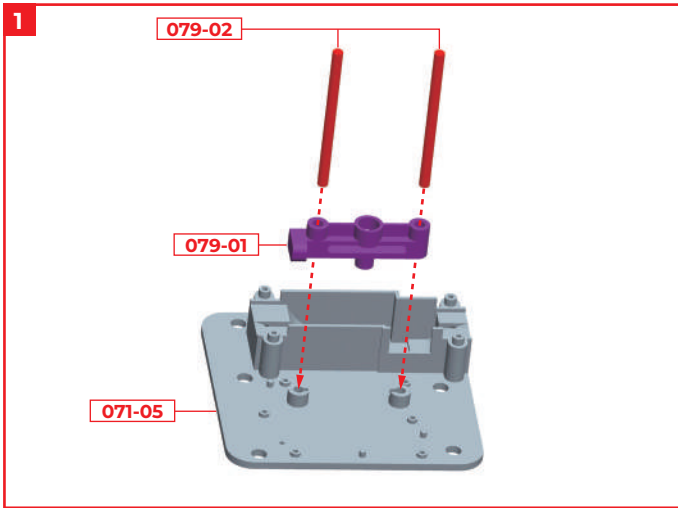
PARTS LIST

	Part	No.	Material
<input type="checkbox"/>	079-01	1	POM
<input type="checkbox"/>	079-02	2	Steel
<input type="checkbox"/>	079-03	1	ABS resin
<input type="checkbox"/>	079-04	1	Acrylic
<input type="checkbox"/>	079-05	1	MDF
<input type="checkbox"/>	079-06	1	Steel
<input type="checkbox"/>	079-07	1	Steel
<input type="checkbox"/>	079-08	8 (1 spare)	Steel
<input type="checkbox"/>	079-09	6	Steel

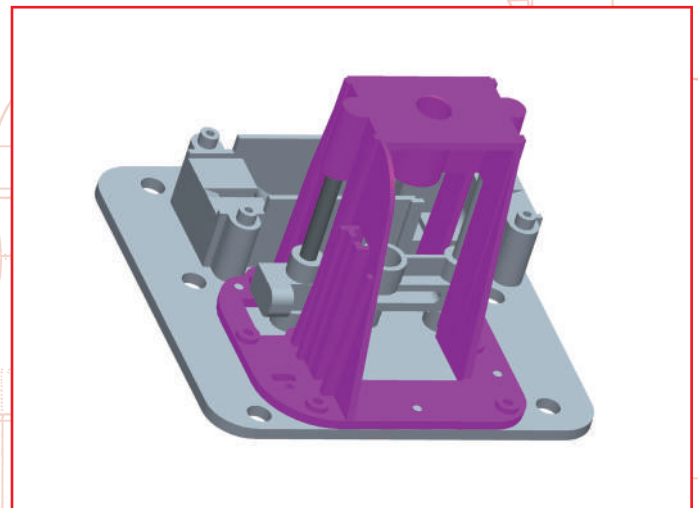
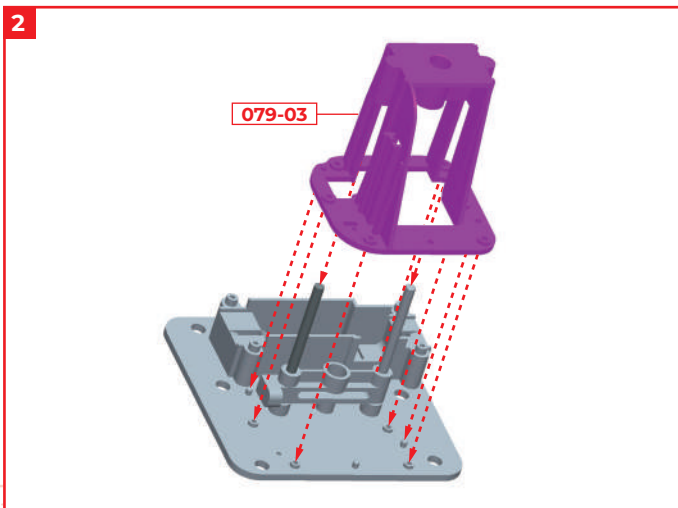
STEP 1

Assembling the lifting device

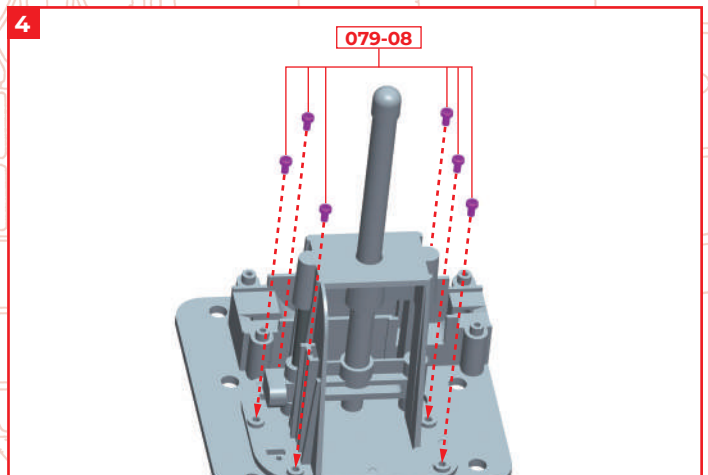
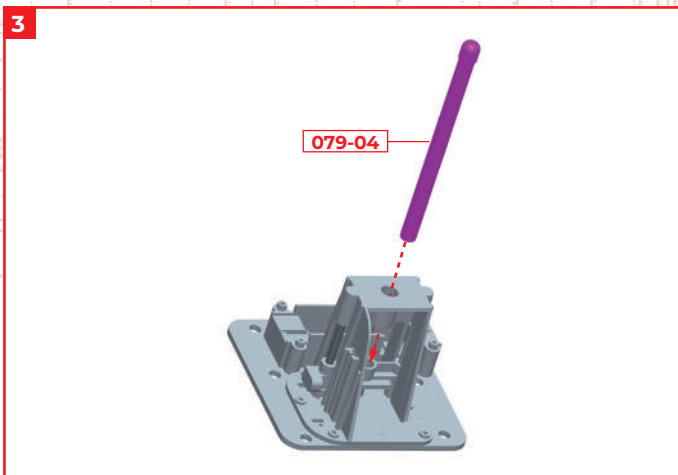
← : Glue
- - - : Don't Glue



Insert the slider 079-01 onto the lifting device base 071-05 that came with Stage 71. Insert two shafts 079-02 through the slider into the lifting device base.

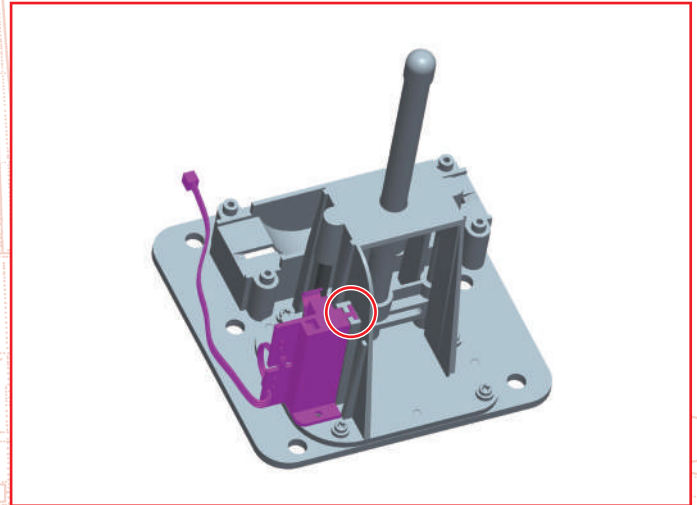
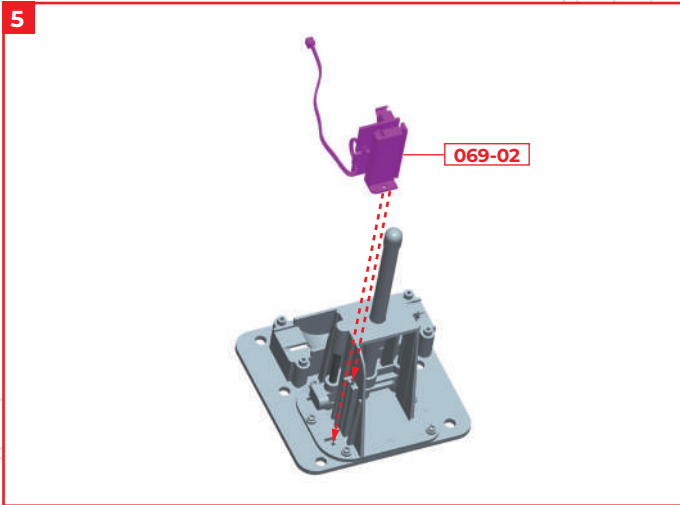


Insert the lifting device frame 079-03 from above the two shafts 079-02.

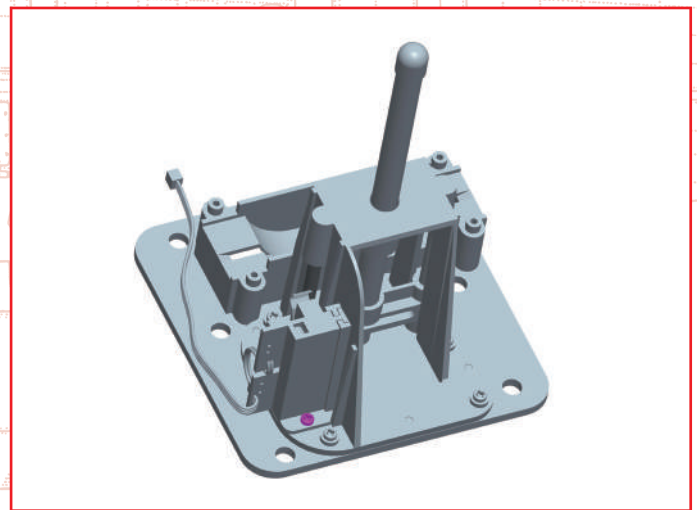
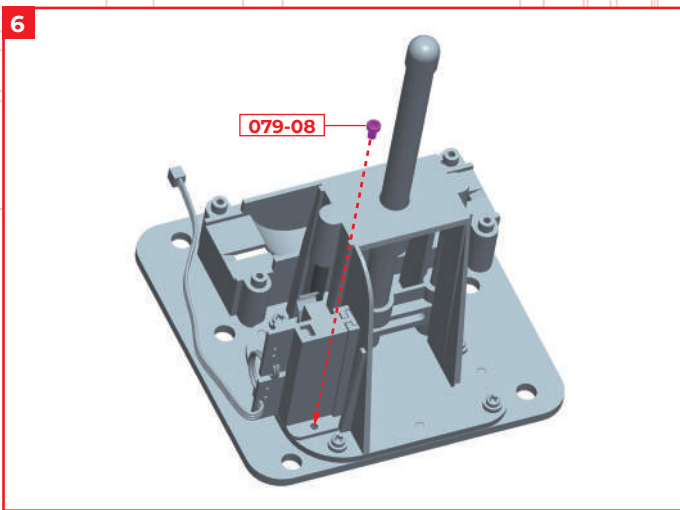


Insert the support bar 079-04 through the hole at the top of the lifting device frame 079-03 into the slider 079-01.

Fix the lifting device frame 079-03 in places with 6 x screws 079-08.

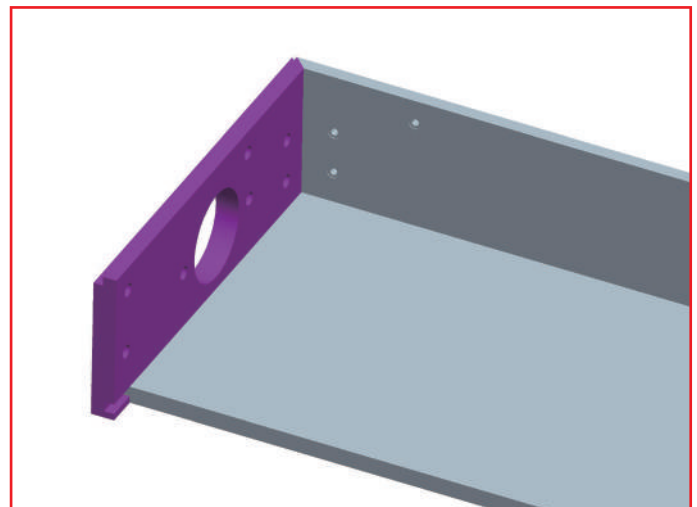
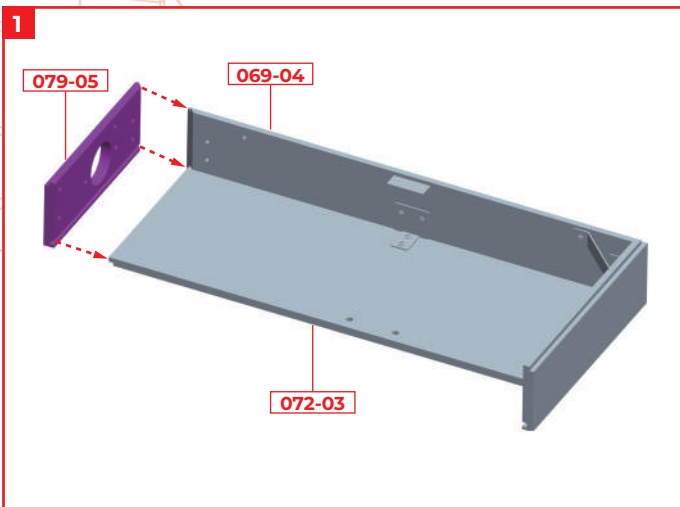


Slide the limit switch frame 069-02 assembled in Stage 69 into the groove on the lifting device frame 079-03 and fit it.

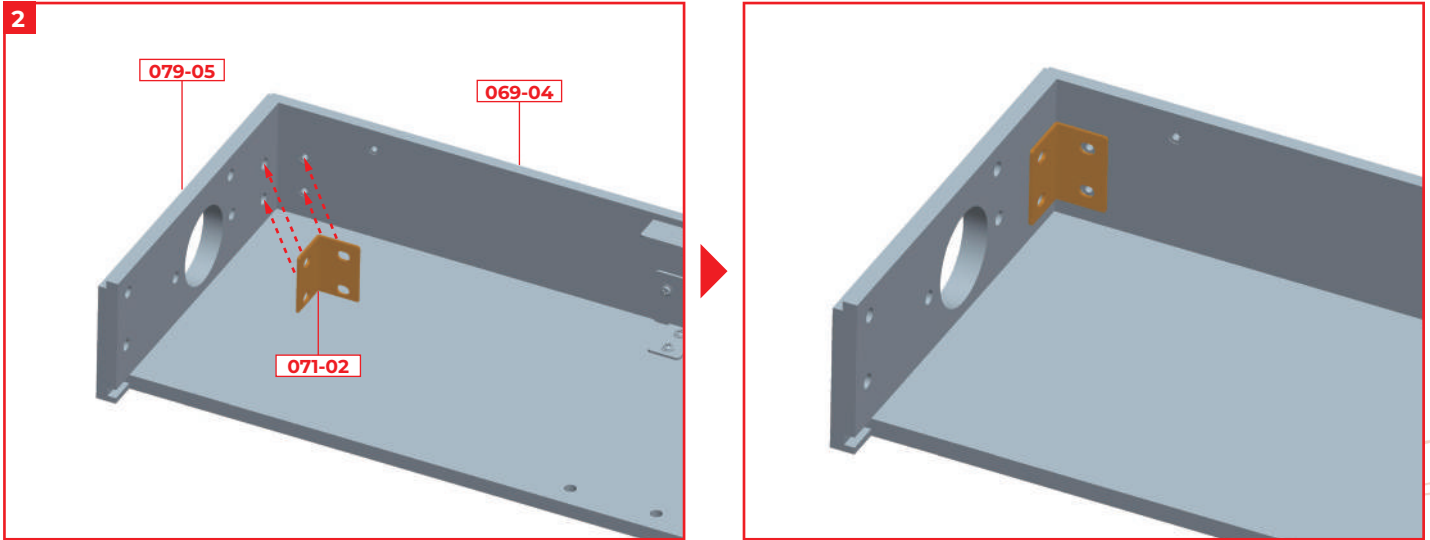


Fix the limit switch frame 069-02 with 1 x screw 079-08.

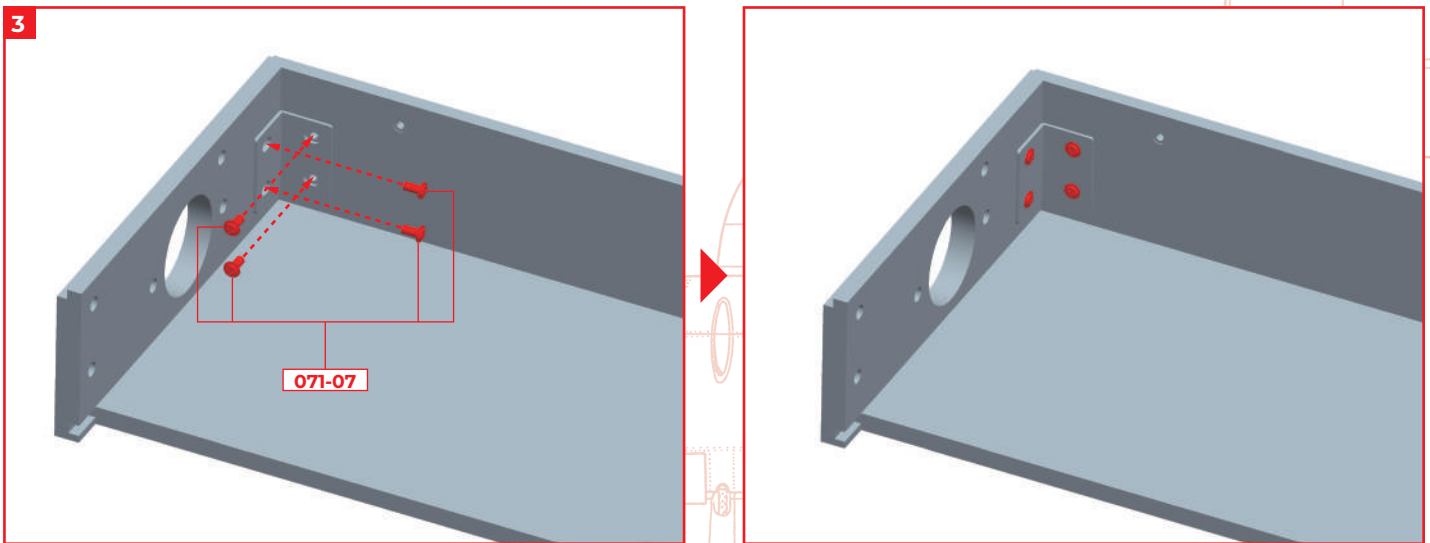
STEP 2 Assembling the display pedestal



Fit the grooves on the pedestal frame 079-05 into the pedestal plates 072-03 and 069-04 of the pedestal assembled in Stage 72.



Align the metal fitting 071-02 that came with Stage 71 with the pedestal frames 069-04 and 079-05.



Fix the metal fitting in place with 4 x screws 071-07 that came with Stage 71.

STAGE COMPLETE



Stage 80: Assembling the Right Horizontal Tail Wing and Display Pedestal

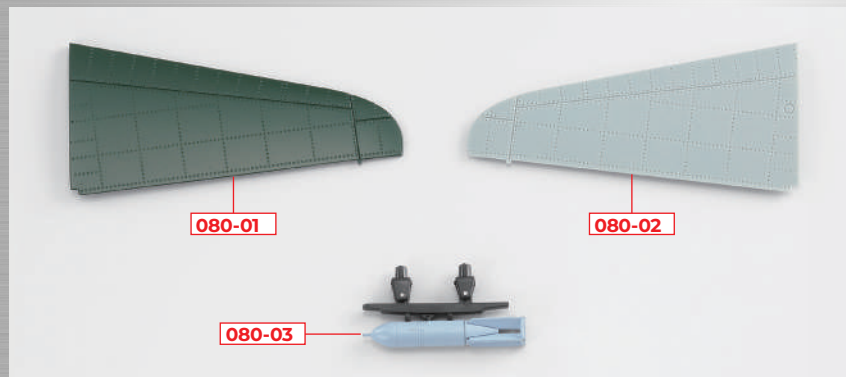


Stage 80 Assembly

Horizontal Wing Tail

In this stage we'll install the outer panels for the horizontal tail wing located on the right side of the aircraft, as well as install the speaker in the display pedestal.

STAGE 80 PARTS



PARTS LIST

	Part	No.	Material
<input type="checkbox"/>	080-01	1	Die-cast
<input type="checkbox"/>	080-02	1	ABS resin
<input type="checkbox"/>	080-03	1	Bomb

You will also need: superglue, screwdriver

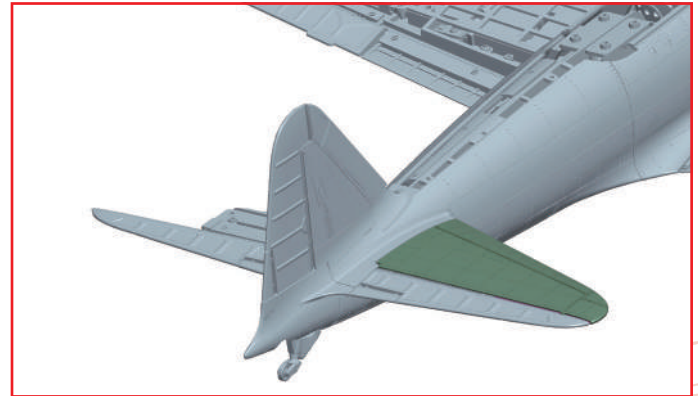
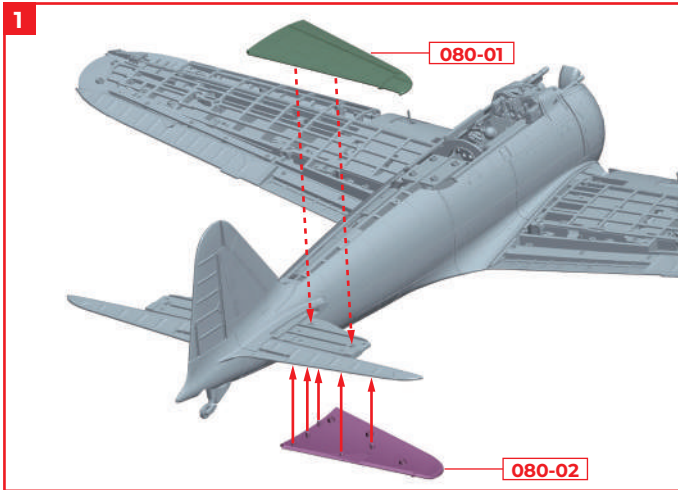
* Part **080-03** will not be used in this stage. Keep in a safe place until required.

* Parts may differ from those shown but this will not affect assembly.

STEP 1

Assembling the right horizontal tail wing

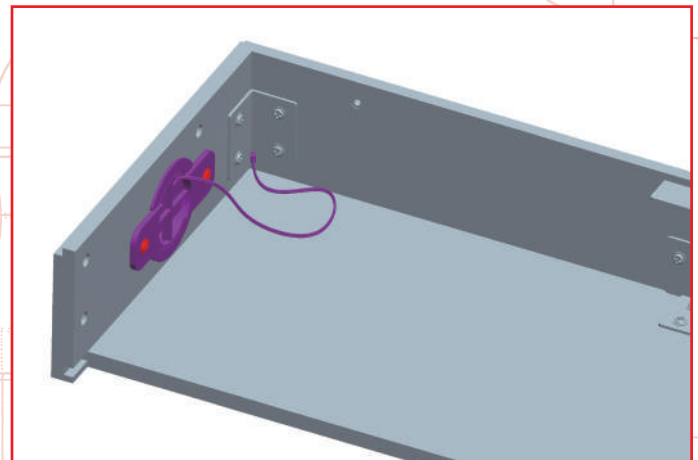
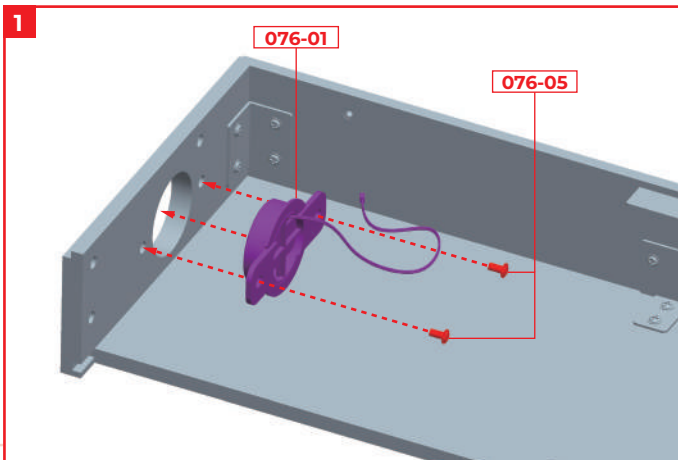
← : Glue
 - - - : Don't Glue



Apply superglue to the 5 pins on the underside of the right horizontal tail wing 080-02 and glue it to the underside of the right tail wing frame, then attach the right horizontal tail wing (topside) 080-01 from above.

STEP 2

Assembling the display pedestal



Insert the speaker 076-01 from Stage 76 into the pedestal assembled in Stage 79, and fix it with the two screws 076-05 that also came in Stage 76

STAGE COMPLETE



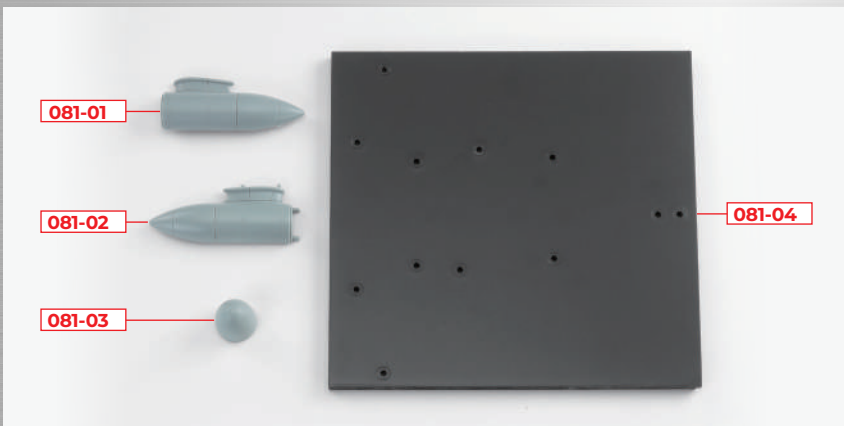
Stage 81: Assembling the Drop Tank and Display Pedestal



Stage 81 Assembly
 Drop Tank / Pedestal

As the A6M Zero was well-known for its capacity to range quite a way from its home carrier it required an extra fuel tank, which we'll be assembling in this stage, as well as continuing work on the display pedestal. Make sure you fit the drop tank parts together, leaving no gaps or space between them.

STAGE 81 PARTS



PARTS LIST

	Part	No.	Material
<input type="checkbox"/>	081-01	1	ABS resin
<input type="checkbox"/>	081-02	1	ABS resin
<input type="checkbox"/>	081-03	1	ABS resin
<input type="checkbox"/>	081-04	1	MDF

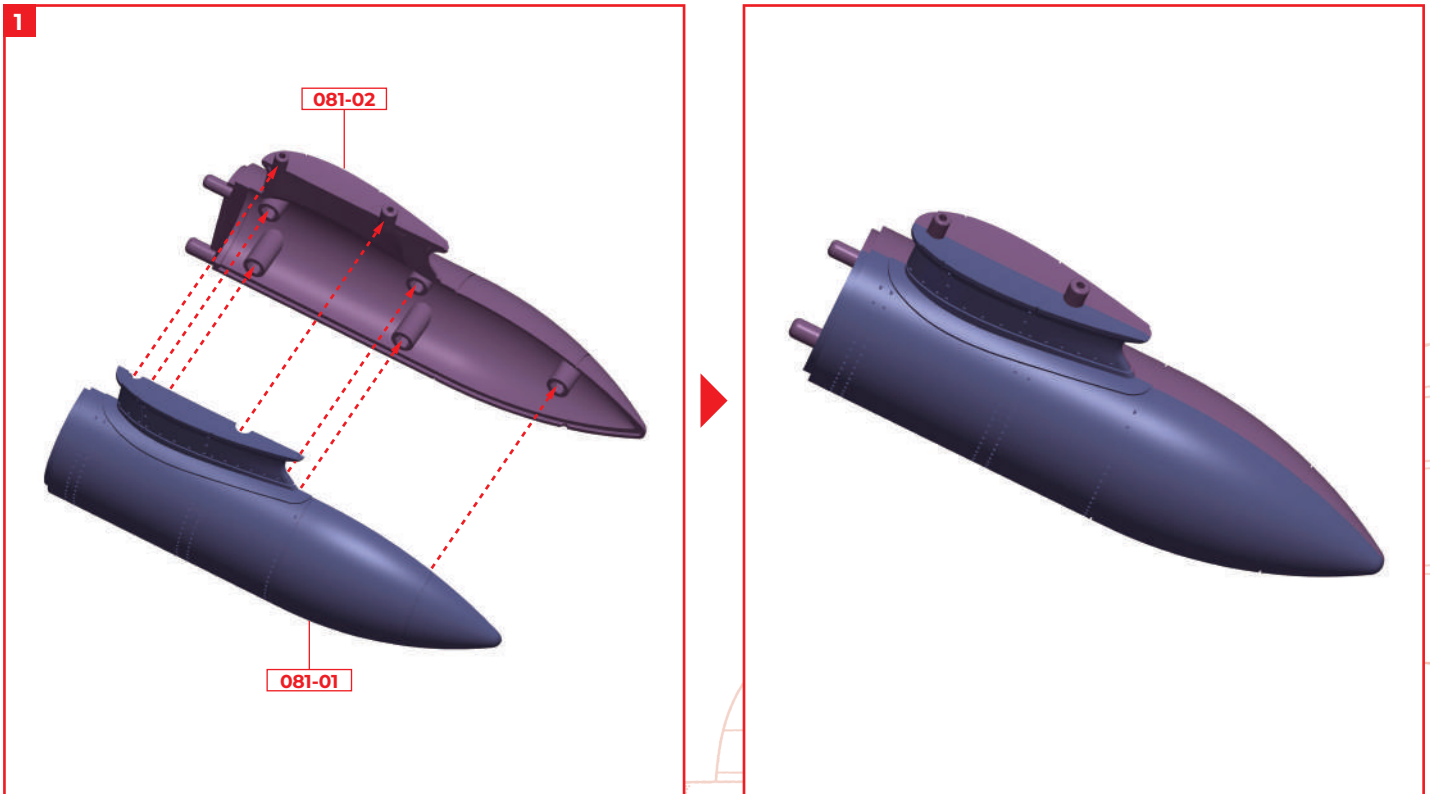
You will also need: screwdriver

* Parts may differ from those shown but this will not affect assembly.

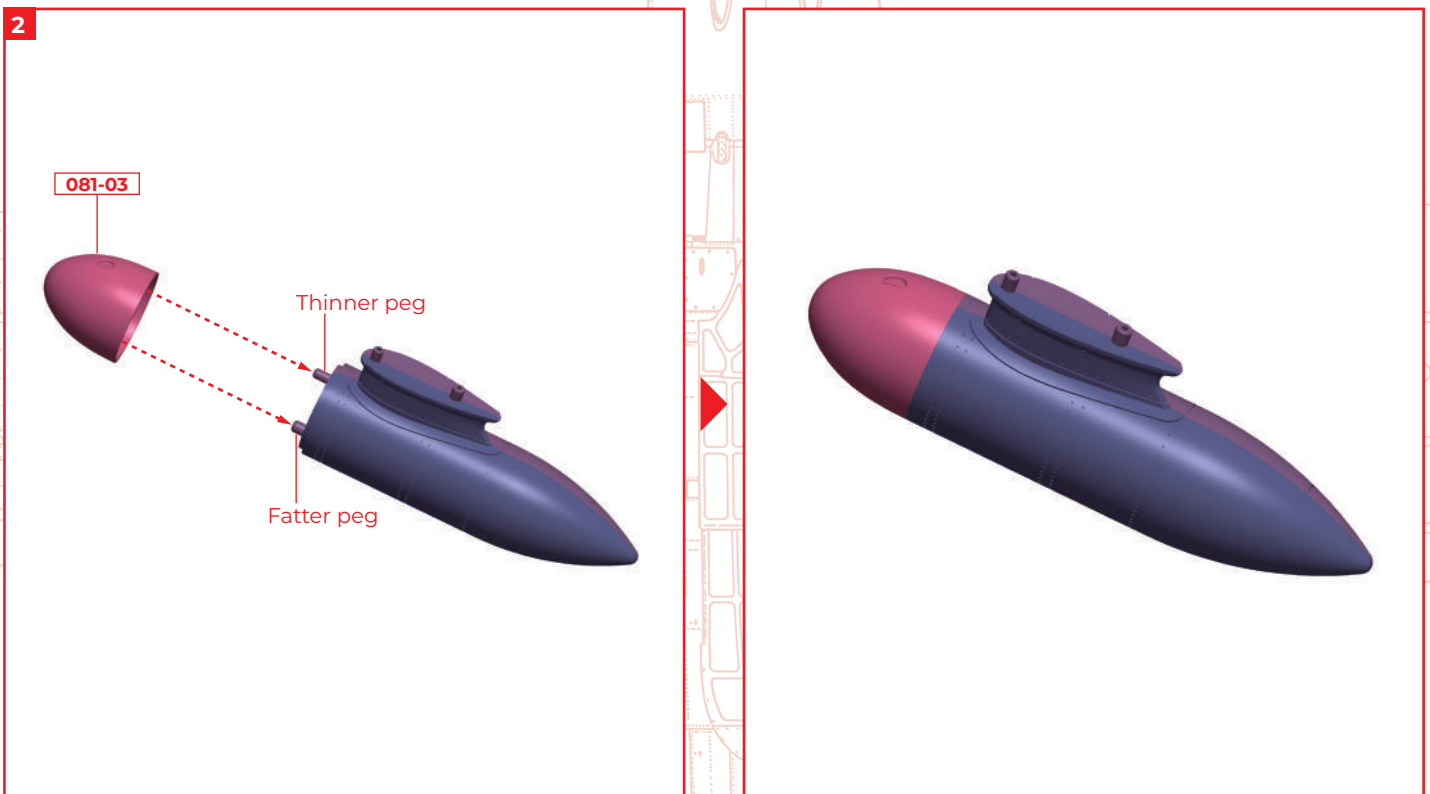
STEP 1

Assembling the drop tank

← : Glue
- - - : Don't Glue



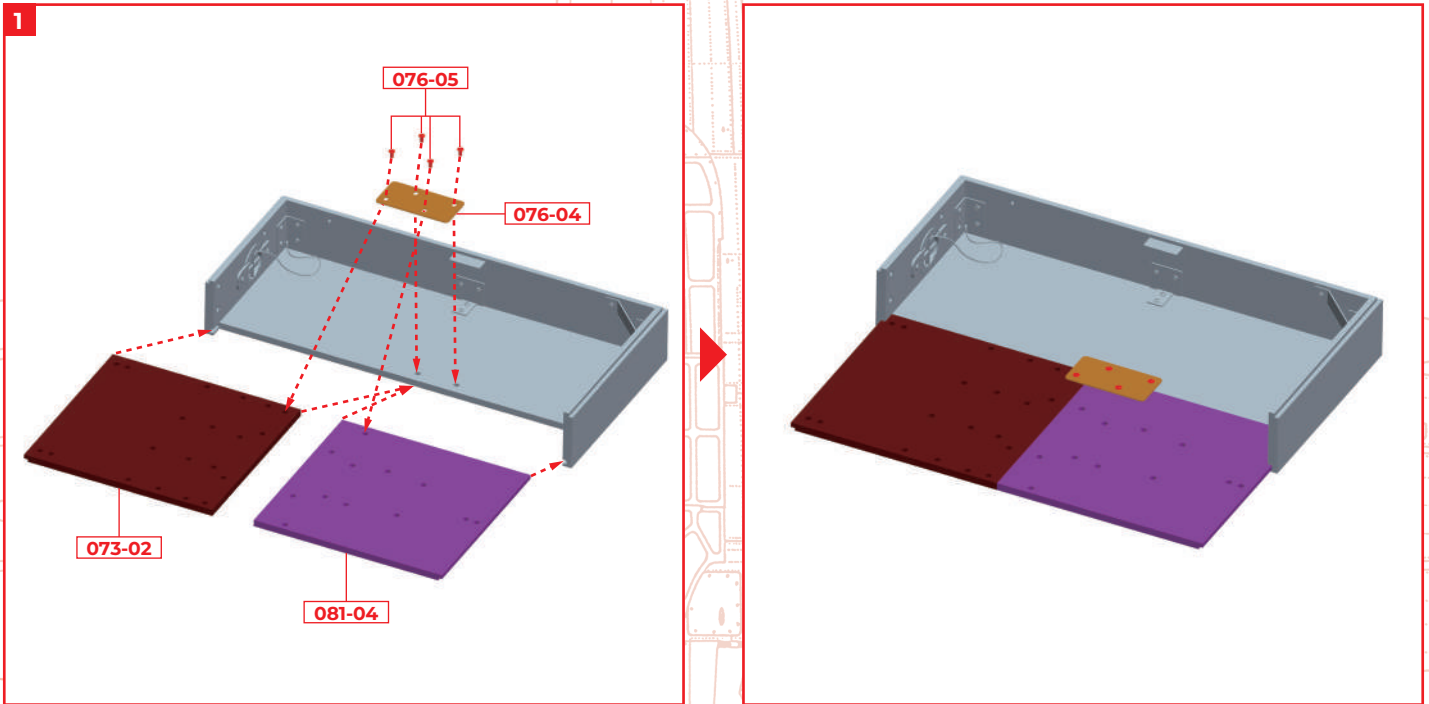
Fit the two drop tank parts 081-01 and 081-02 together.



Align the thinner and fatter protrusions on the drop tank with the drop tank head 081-03.

STEP 2

Assembling the display pedestal



Align the pedestal plates 073-02 and 081-04 with the pedestal assembled in Stage 80, and the metal fitting 076-04 from Stage 76. Fix in place using 4 x screws 076-05.

STAGE COMPLETE



Stage 82: Assembling the Gearbox for the Display Pedestal Lifting Device (2)

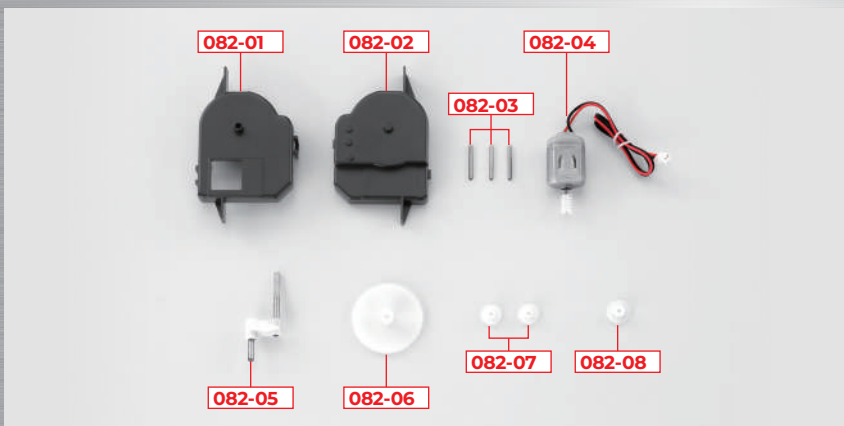


Stage 82 Assembly

Lifting Device Gearbox

In this stage we'll assemble the gearbox which is integral to the operation of the lifting device fitted in the display pedestal. We'll be working with four different gears during this stage so pay extra attention to the order you should place them in as well as the direction they should be facing.

STAGE 82 PARTS



You will also need: screwdriver
 * Parts may differ from those shown but this will not affect assembly.

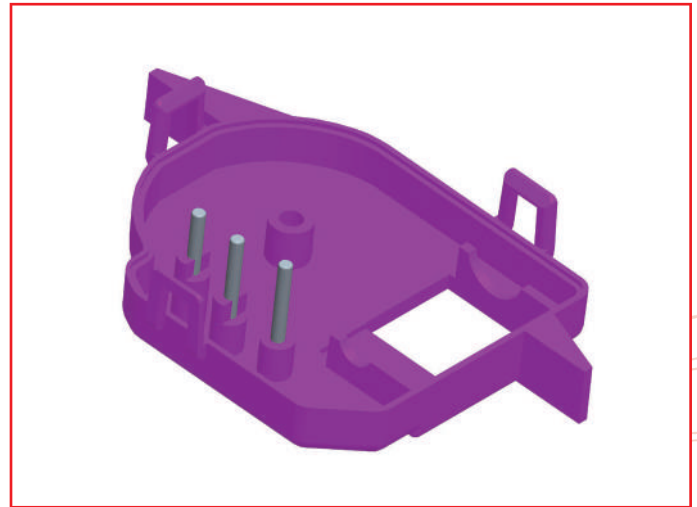
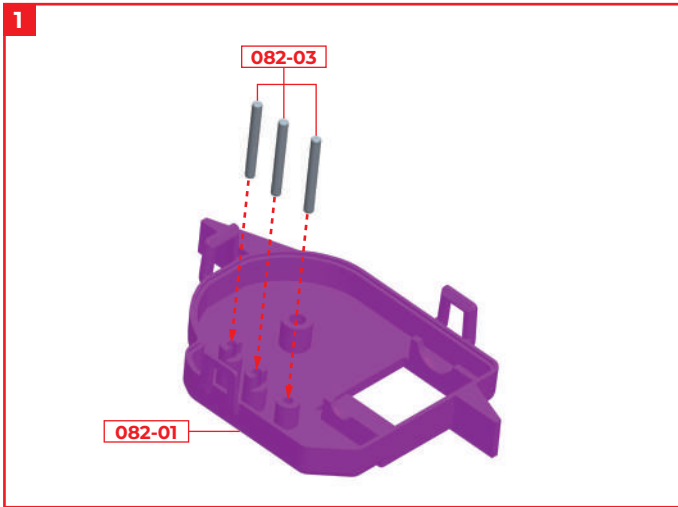
PARTS LIST

	Part	No.	Material
<input type="checkbox"/>	082-01	1	ABS resin
<input type="checkbox"/>	082-02	1	ABS resin
<input type="checkbox"/>	082-03	3	Steel
<input type="checkbox"/>	082-04	1	Motor
<input type="checkbox"/>	082-05	1	Steel+Plastic
<input type="checkbox"/>	082-06	1	Plastic
<input type="checkbox"/>	082-07	2	Plastic
<input type="checkbox"/>	082-08	1	Plastic

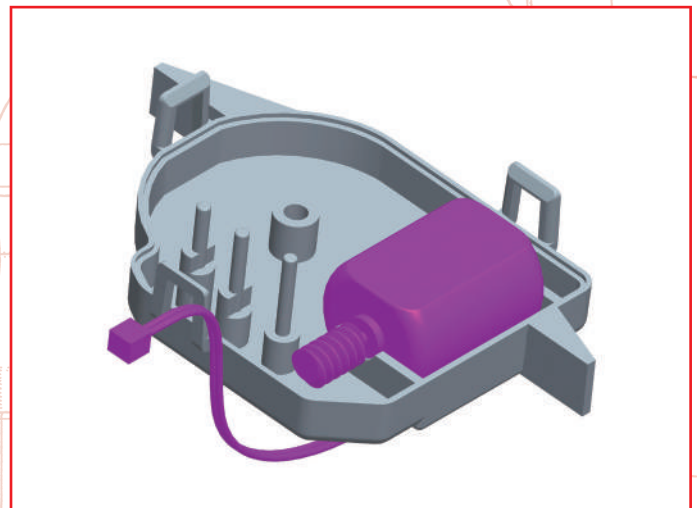
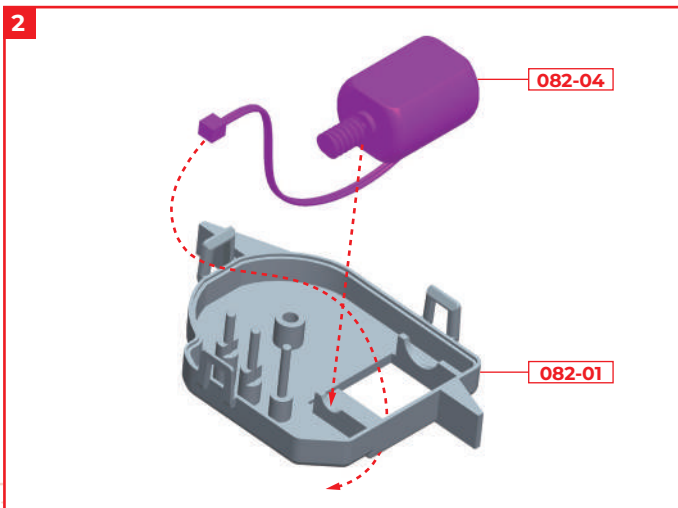
STEP 1

Assembling the gearbox for the display pedestal lifting device

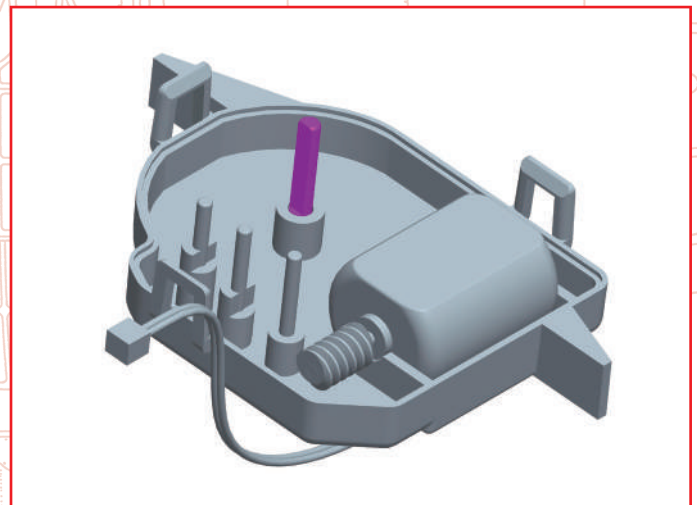
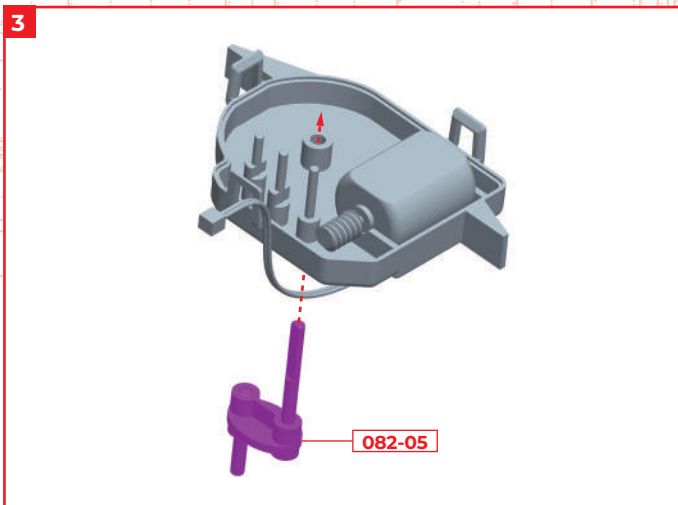
← : Glue
 - - - : Don't Glue



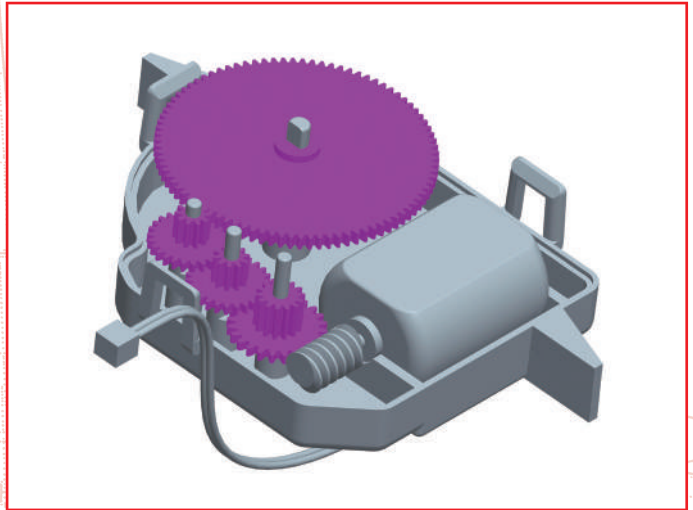
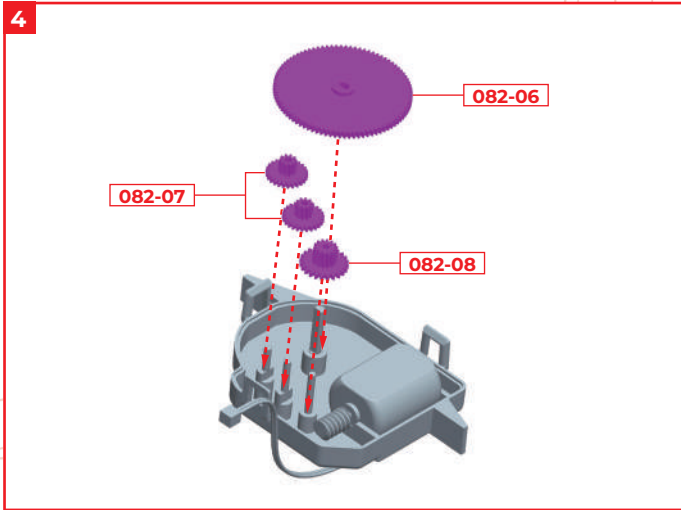
Insert three shafts 082-03 into the gearbox 082-01. Push firmly as the holes are quite narrow.



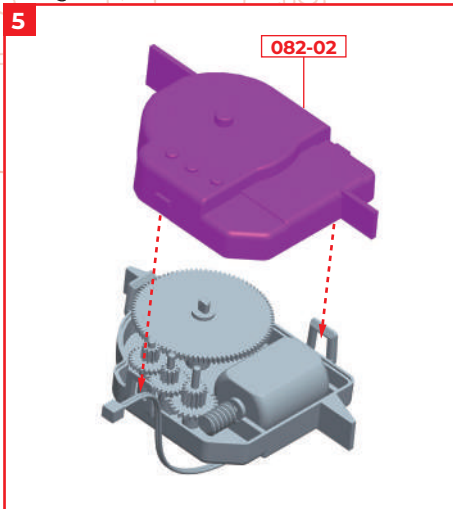
Feed the wire from motor 082-04 through the hole in gearbox 082-01 and fit the motor with the wire facing down.



Insert the longer shaft of the camshaft 082-05 from under the gearbox 082-01.

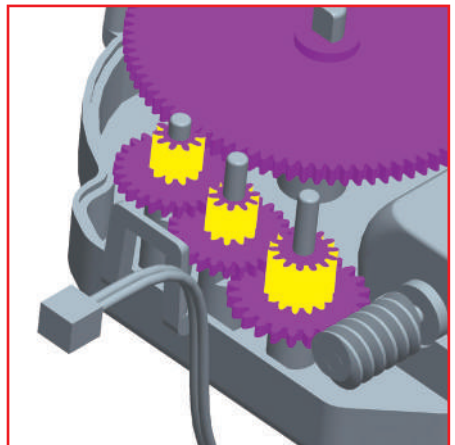
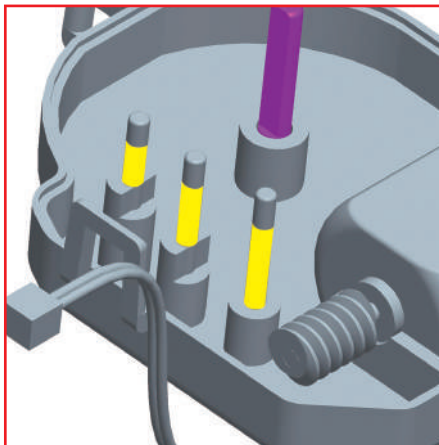


Insert gear 082-08 and 2 x gears 082-07 onto the three shafts 082-03 inserted in 1, in order, starting from the side closest to the motor. Make sure that the small gear faces upward. Finally, fit the gear 082-06 onto the camshaft 082-05 inserted in step 3 with the small gear facing down.



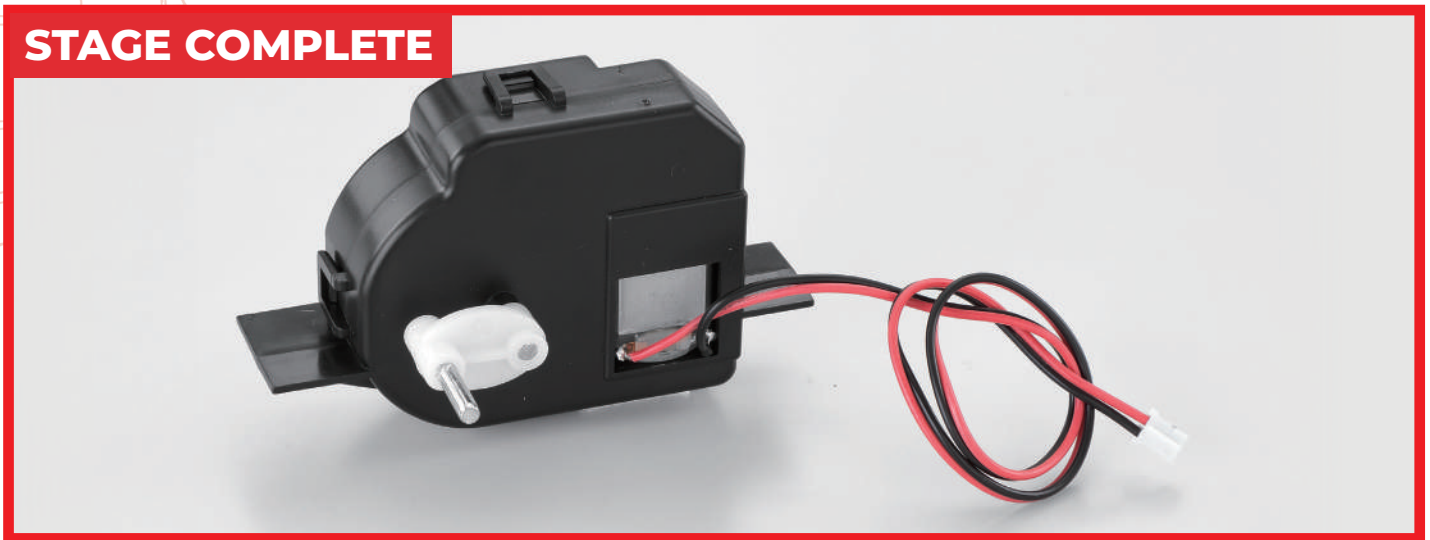
Cover the gearbox 082-01 with the gearbox lid 082-02 and fit the claws.

NOTE



Applying a small amount of grease or lubricant to the gears will help to make them run more smoothly.

STAGE COMPLETE



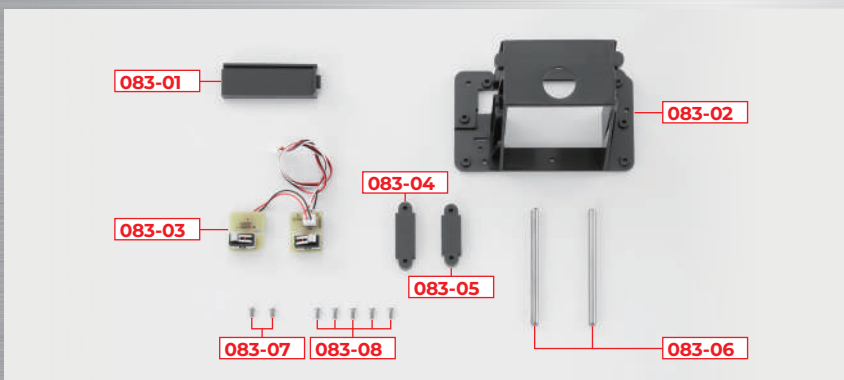
Stage 83: Assembling the Limit Switch

Stage 83 Assembly

Limit Switch

In this stage we'll be assembling a limit switch. As always, when attaching the switch to the frame make sure this is securely fastened and doesn't slip around.

STAGE 83 PARTS



You will also need: screwdriver

* Parts **083-02**, **083-04** & **083-07** will not be used in this stage. Keep them in a safe place until required.

* Parts may differ from those shown but this will not affect assembly.

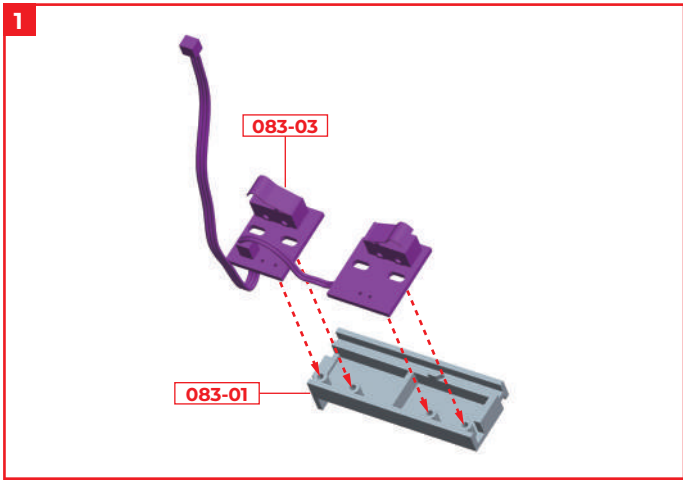
PARTS LIST

	Part	No.	Material
<input type="checkbox"/>	083-01	1	ABS resin
<input type="checkbox"/>	083-02	1	ABS resin
<input type="checkbox"/>	083-03	1	Limit switch
<input type="checkbox"/>	083-04	1	ABS resin
<input type="checkbox"/>	083-05	1	ABS resin
<input type="checkbox"/>	083-06	2	Steel
<input type="checkbox"/>	083-07	2 (1 spare)	Steel
<input type="checkbox"/>	083-08	5 (1 spare)	Steel

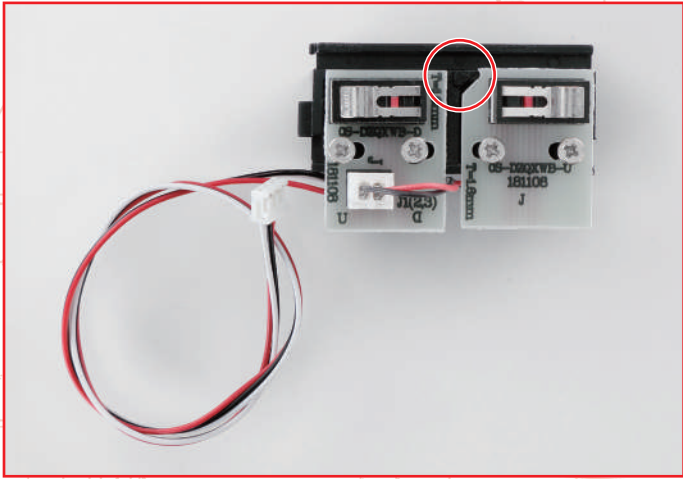
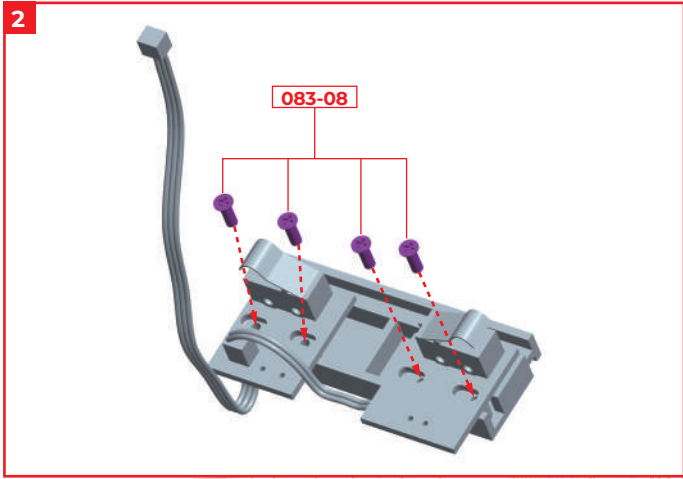
STEP 1

Assembling the limit switch

← : Glue
 - - - : Don't Glue



Fit the limit switch 083-03 into the frame 083-01, aligning the cut corners of the board of the limit switch 083-03 with the triangular protrusions on the frame 083-01.



Fix the limit switch in place with 4 x 083-08 screws. Note that there is a little room to move the screw holes left and right. Check that the cut corner of the limit switch is aligned with the triangular protrusion on the board before tightening the screws to ensure correct alignment.



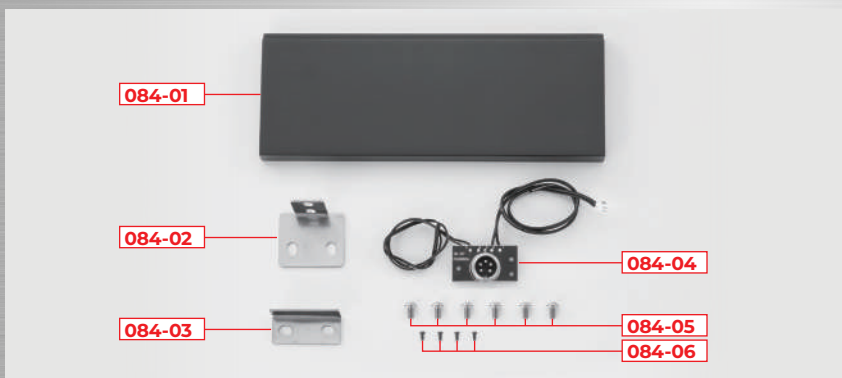
Stage 84: Assembling the Display Pedestal

Stage 84 Assembly

Pedestal

In this stage we'll be working on the pedestal again. When screwing in the metal fittings to the base plates or outer frames hold these fast so they don't slip around.

STAGE 84 PARTS



You will also need: screwdriver

* Parts **084-04** & **084-06** will not be used in this stage. Keep them safe until required.

* Parts may differ from those shown but that will not affect assembly.

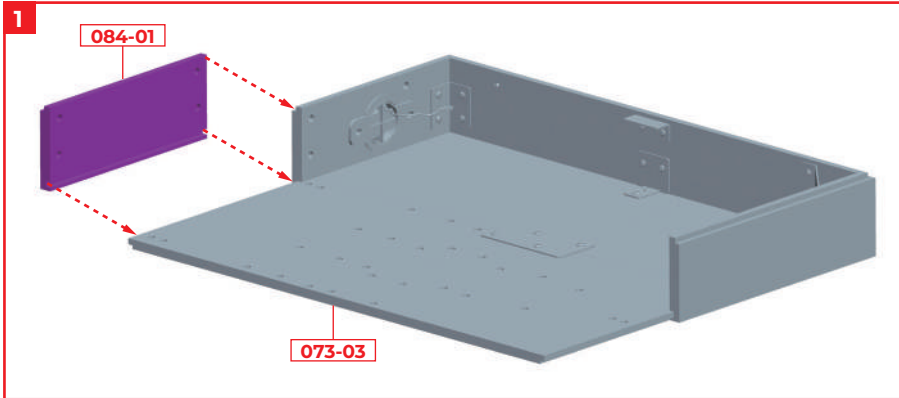
PARTS LIST

	Part	No.	Material
<input type="checkbox"/>	084-01	1	MDF
<input type="checkbox"/>	084-02	1	Steel
<input type="checkbox"/>	084-03	1	Steel
<input type="checkbox"/>	084-04	1	Adapter
<input type="checkbox"/>	084-05	6	Steel
<input type="checkbox"/>	084-06	4 (1 spare)	Steel

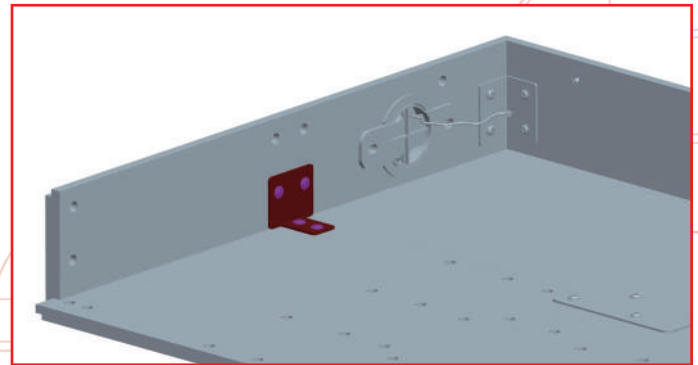
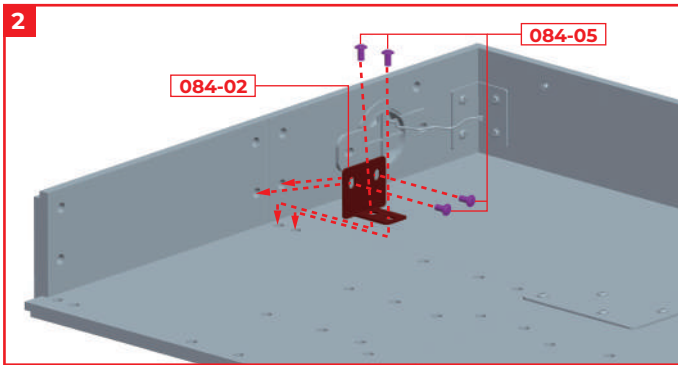
STEP 1

Assembling the display pedestal

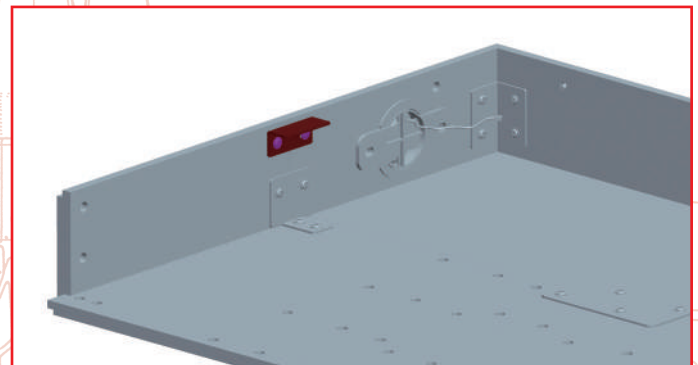
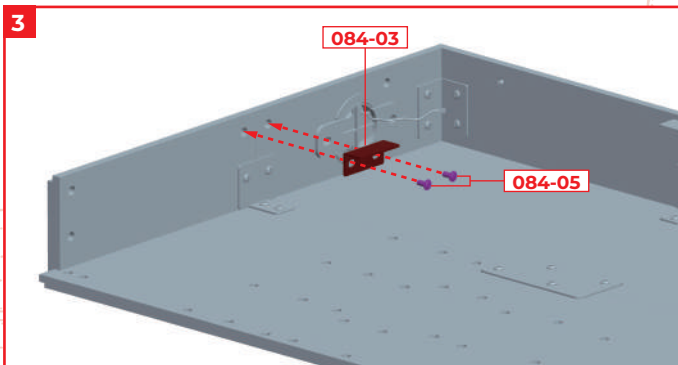
← : Glue
 - - - : Don't Glue



Fit the groove on the outer frame 084-01 into the pedestal plate 073-03 assembled in Stage 81.



Align the metal fitting 084-02 with the pedestal frame parts 079-05 and 084-01, and fix in place with 4 x screws 084-05.



Align the metal fitting 084-03 with the pedestal frame parts 079-05 and 084-01, and fix them in place with 2 x screws 084-05.

STAGE COMPLETE

