

MITSUBISHI

A6MZERO

FIGHTER



Pack 11 | Build Instructions

Your 1:18 model of the Japanese Zero is reproduced in the most exquisite detail, with electronics allowing you to recreate aeronautical operations such as take-off and landing, turning, firing and night combat. Lights, machine-gun and propeller sounds bring your legendary fighter plane to life.

In your eleventh model pack, you will assemble:

STAGE 85: ASSEMBLING AND INSTALLING THE POWER SUPPLY CONNECTOR AND THE LIFTING DEVICE

STAGE 86: INSTALLING THE LEFT HORIZONTAL TAIL WING AND THE ENGINE FRAME COVER

STAGE 87: ASSEMBLING THE LIFTING DEVICE POWER SUPPLY

STAGE 88: INSTALLING THE ENGINE, CANOPY AND AIR INTAKE

STAGE 89: ATTACHING THE MESH COVER AND ASSEMBLING THE DISPLAY PEDESTAL

STAGE 90: CHECKING THE TOP SURFACE OF THE LEFT WING

STAGE 91: INSTALLING THE LIFTING DEVICE AND POWER SUPPLY

STAGE 92: CHECKING THE TOP SURFACE OF THE RIGHT WING



There are excellent videos showing how to build the Zero [here](#).

Advice from the experts

Spare screws are included with each part. Occasionally, you may be instructed to keep spare or unused screws for a later stage.

Keep these spares in a safe place and label them correctly.

Please make sure you don't mix up the screws. They look quite similar, but the threads do vary slightly. Using the wrong screws may damage the parts.

When securing parts together using multiple screws, fit each screw loosely to ensure all the parts are correctly aligned before gently tightening them firmly, but not overtight, in the order in which you placed them.

The screwdriver can be magnetised by stroking it with a magnet (fridge magnet, etc.) enabling it to hold the screws and make assembly easier.

If a screw is tight going into a metal part, do not force it as you may shear the head off. Remove it and put a tiny smear of Vaseline, soap or light oil on the thread. That will lubricate it and make it easier to drive home.

During the course of this build, you will receive many pieces that you will assemble immediately – following the instructions in the corresponding stage – and other pieces that you should store safely to one side, for use in future assembly stages.

When gluing parts together, glue may be applied to either of the two parts. Some experts find it easier to apply glue to a hole rather than a pin. Choose a method that works best for you.

It's a good idea to test fit your parts so that you can check their positioning before gluing.

Not suitable for children under the age of 14. This product is not a toy and is not designed for use in play. Keep the parts out of the reach of small children. Some parts may have sharp edges. Please handle them with care.

Stage 85: Assembling and Installing the Power Supply Connector and the Lifting Device



Stage 85 Assembly
 Power Supply • Lifting Device

In this stage we'll be assembling the lifting device and parts connecting the power supply, which runs from the rear part of the fuselage to the display pedestal. When working on inserting the slider in the lifting device gearbox mind how you fit the camshaft into place.

STAGE 85 PARTS

PARTS LIST

	Part	No.	Material
<input type="checkbox"/>	085-01	1	ABS resin
<input type="checkbox"/>	085-02	1	Power supply connector
<input type="checkbox"/>	085-03	1	Power supply connector
<input type="checkbox"/>	085-04	1	Plastic
<input type="checkbox"/>	085-05	1	ABS resin
<input type="checkbox"/>	085-06	3 (1 spare)	Steel
<input type="checkbox"/>	085-07	7 (1 spare)	Steel
<input type="checkbox"/>	085-08	5 (1 spare)	Steel
<input type="checkbox"/>	085-09	6	Steel

You will also need: screwdriver
 *Parts may differ slightly from those shown but this will not affect assembly.

STEP 1

Assembling the power supply connector

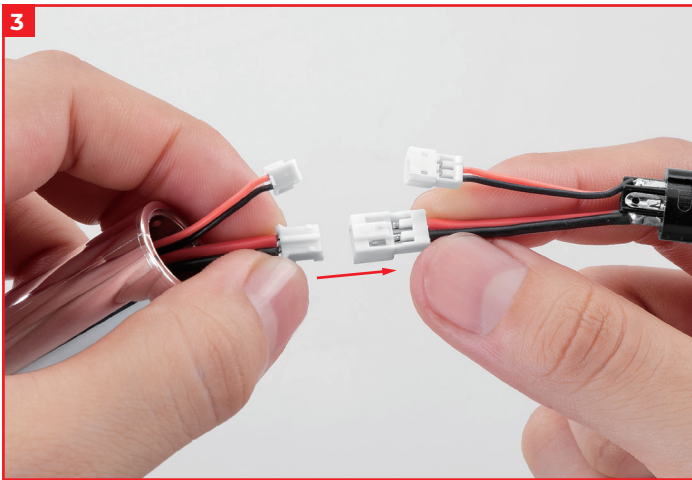
← : Glue
- - - : Don't Glue



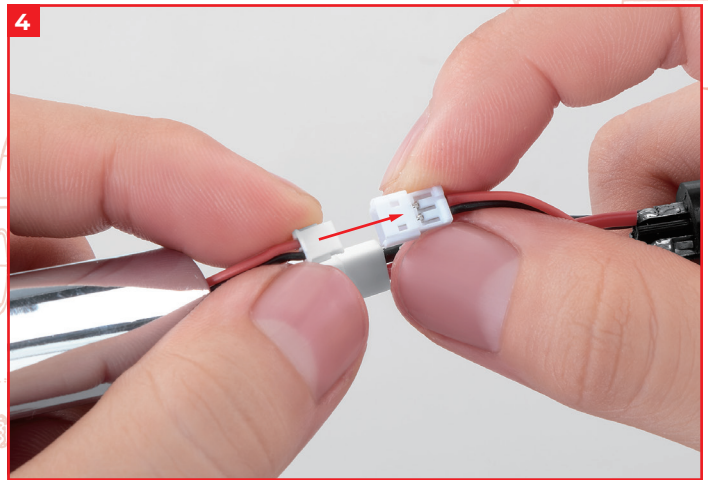
Plug the power connector **085-02** into pipe **085-01**.



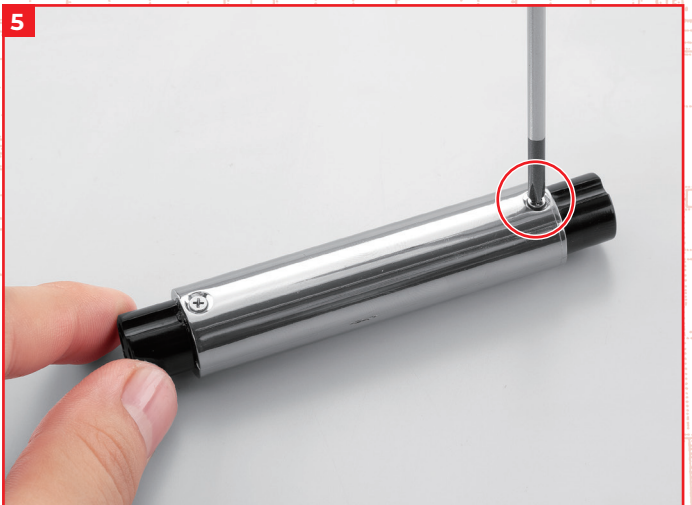
Secure the power connector **085-02** with 1 x screw **085-06**.



Plug the large socket on power connector **085-02** into the large socket on the power connector **085-03**.



Plug the small socket on power connector **085-02** into the small socket on the power connector **085-03**.

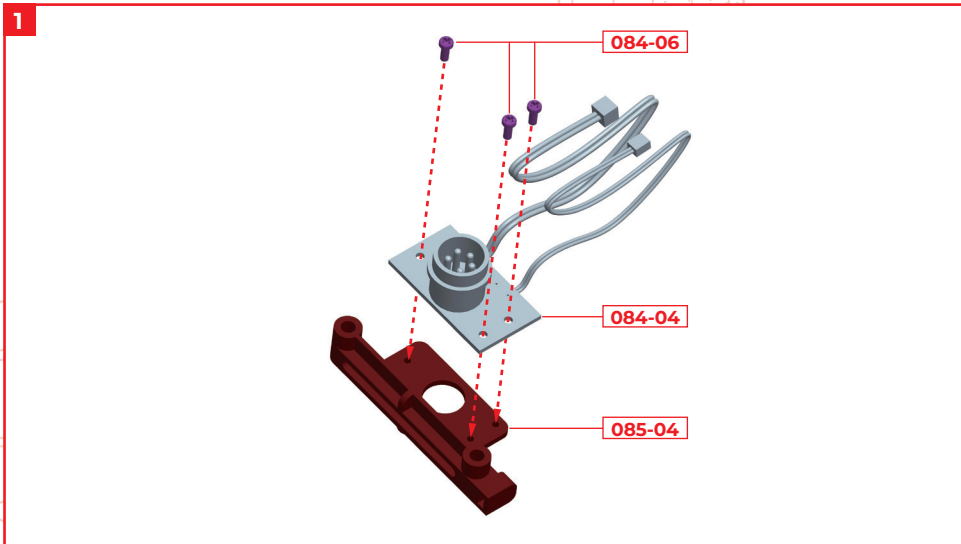


Insert the power connector **085-03** into the pipe **085-01** and fix it with 1 x screw **085-06**.

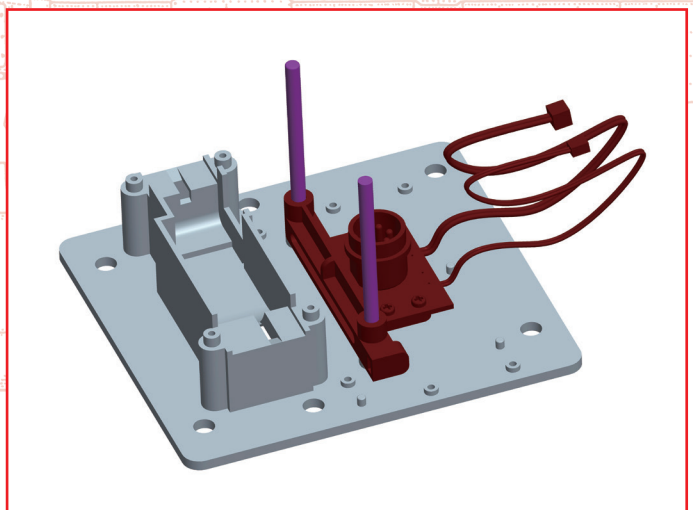
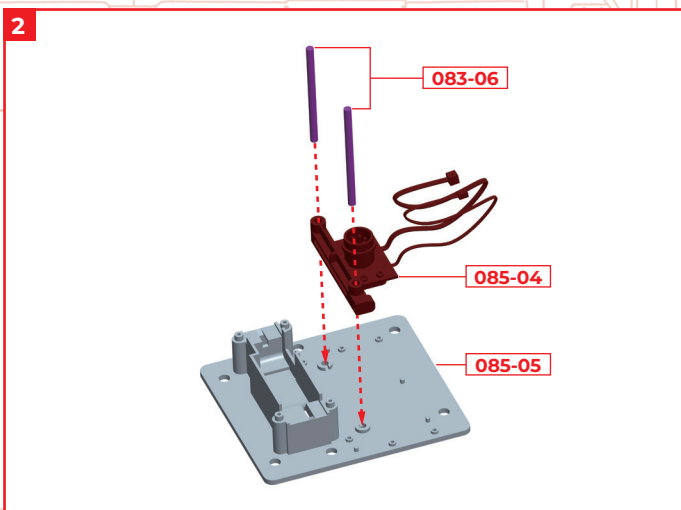


STEP 2

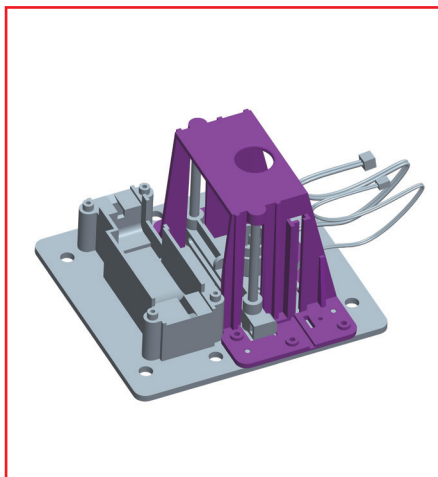
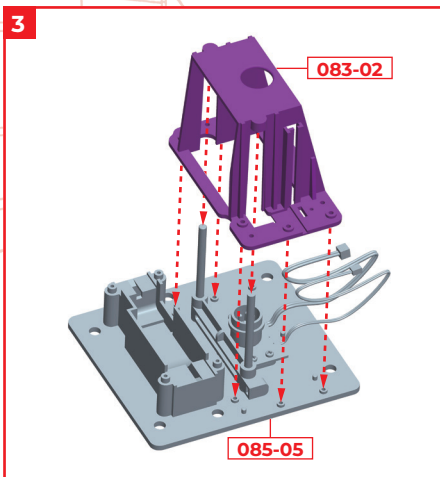
Assembling the lifting device



Align the slider (with power connector) **085-04** that came with stage 84 with the slider **084-04**, and fix together using 3 x screws **084-06** that came with stage 84.



Insert the two shafts **083-06** that came with stage 83 into the lifting device base **085-05** and fit the slider **085-04** assembled in 1. onto the shaft.

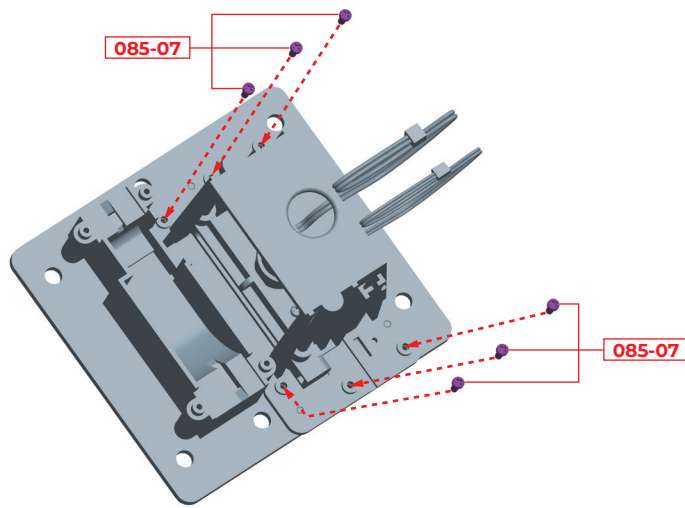


Place the lifting device frame **083-02** that came with stage 83 on the lifting device base **085-05** and insert two shafts **083-06** into the lifting device frame **083-02**.

NOTE

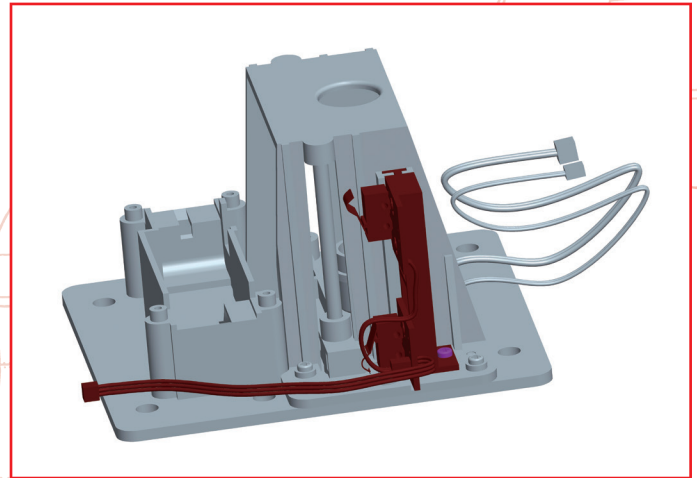
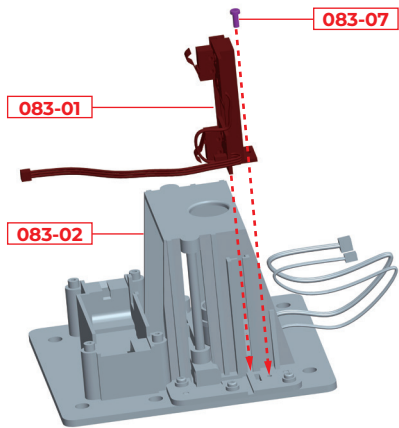
When installing lifting device frame **083-02** make sure the power supply connector **084-04** wire runs out of the frame as shown in the photo above. You don't want the frame clamping down on the wire.

4



Fit the lifting device frame **083-02** using 6 x screws **085-07**.

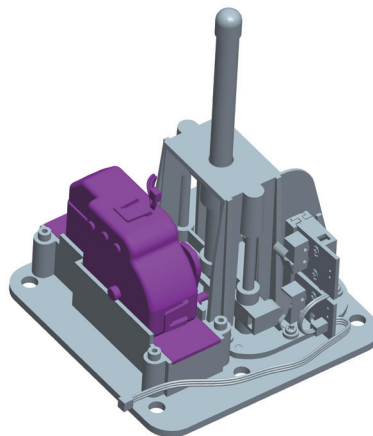
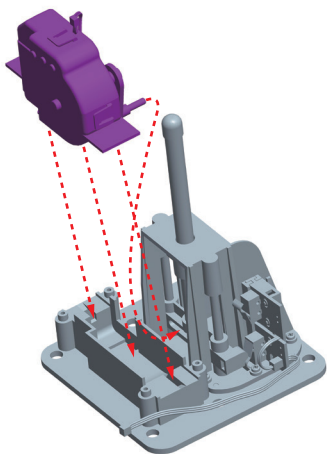
5



Slide the limit switch frame **083-01** assembled in stage 83 onto the lifting device frame **083-02** and fix it with 1 x screw **083-07** that came with stage 83.

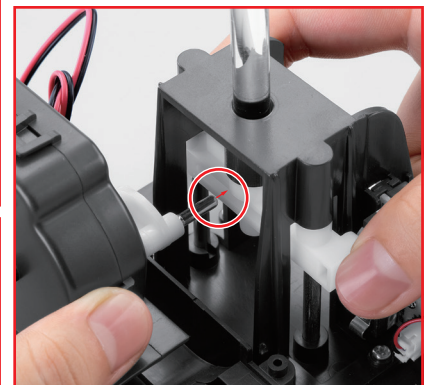
STEP 3 Installing the lifting device(1)

1

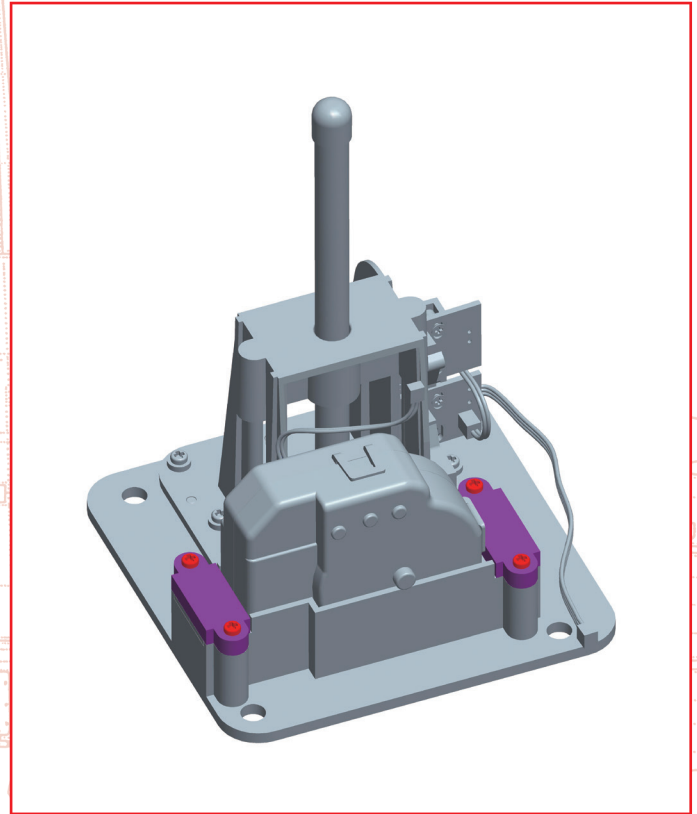
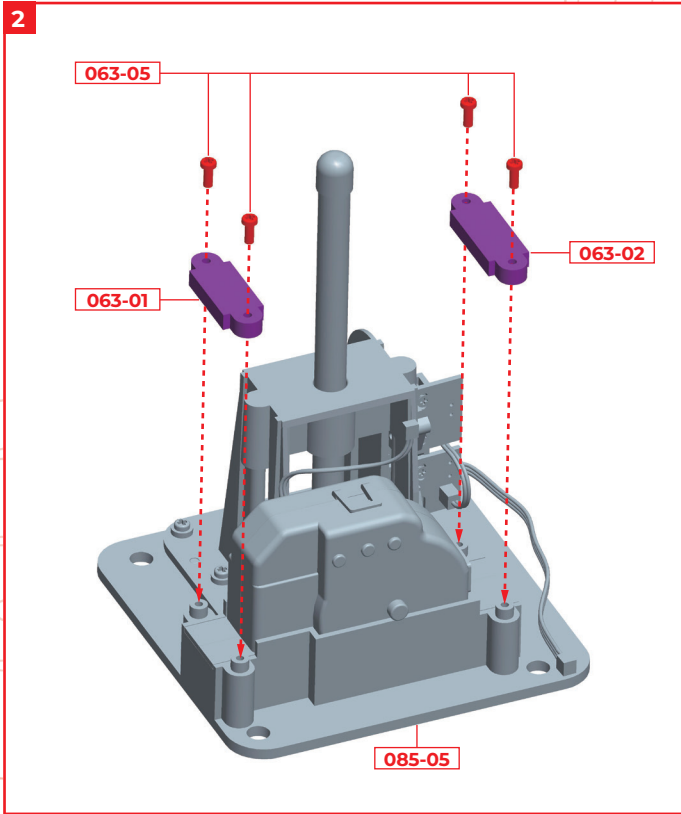


Fit the gearbox assembled in stage 67 onto the lifting device assembled in stage 66.

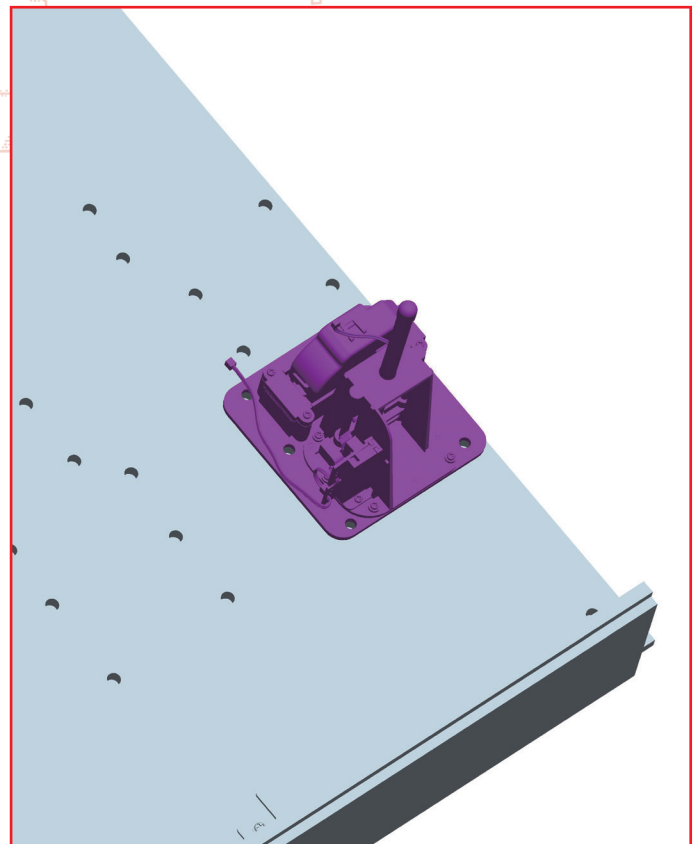
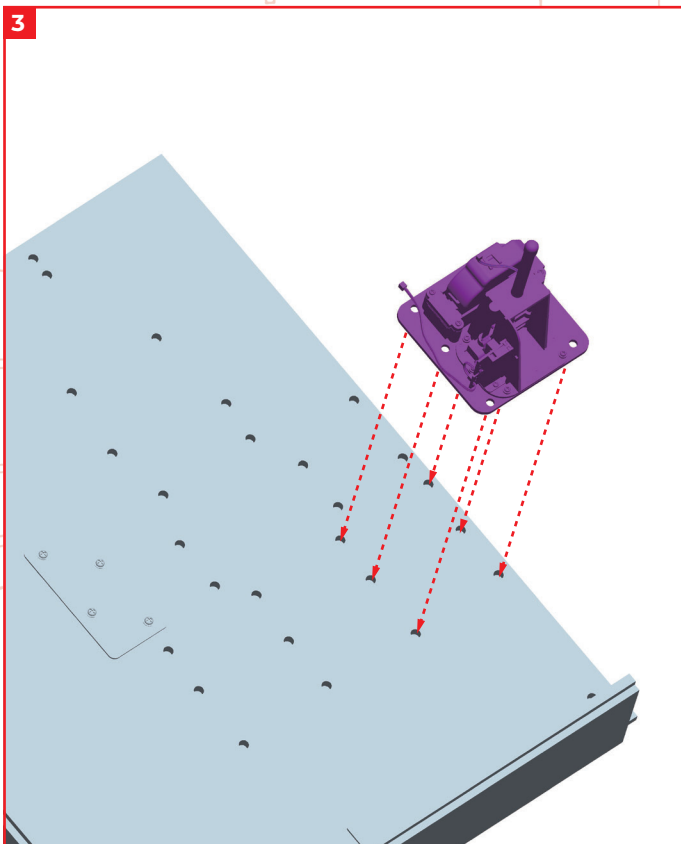
NOTE



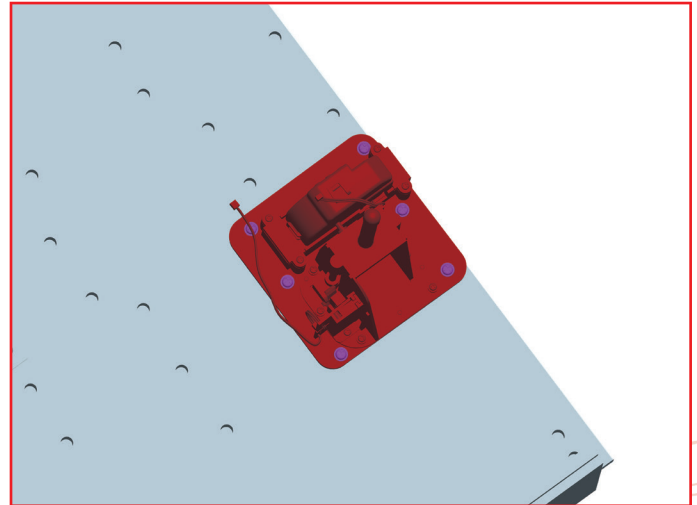
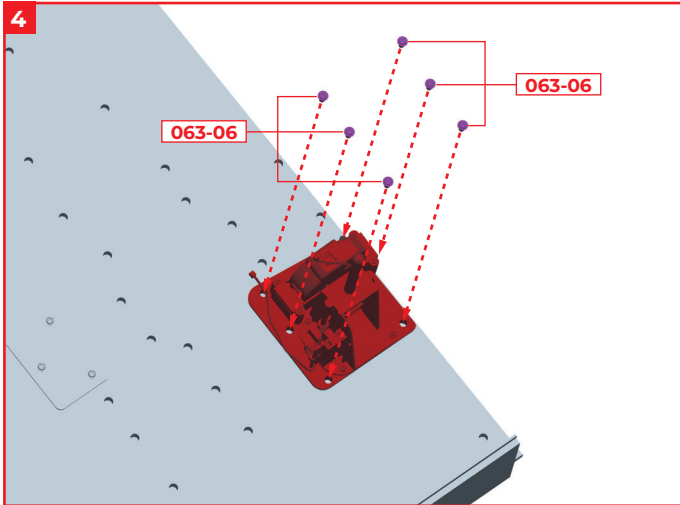
When inserting the gearbox firstly insert camshaft **067-05** into the groove on slider **065-02**.



Fit the fixtures **063-01** and **063-02** that came with stage 63 onto the lifting device base **085-05**, and fix each one with 2 x screws **063-05** that came in stage 63.

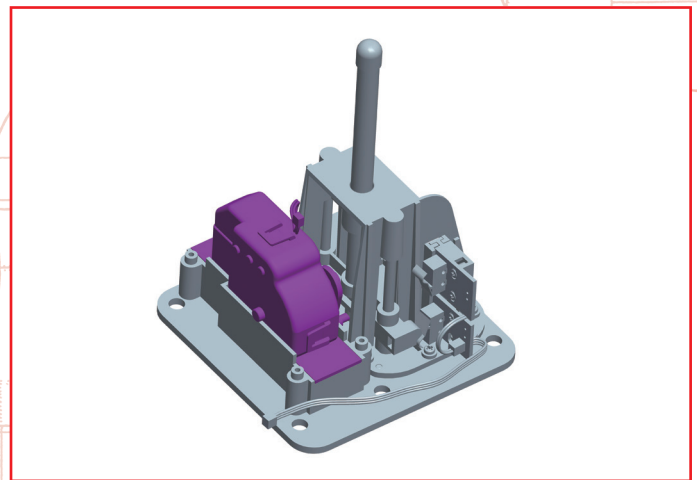
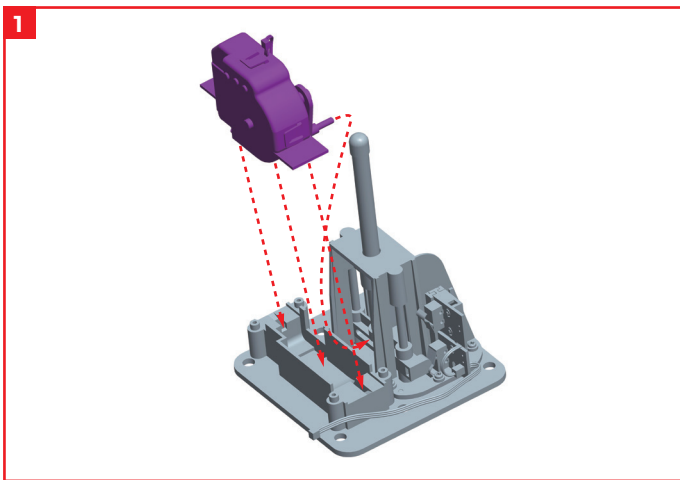


Place the lifting device assembled in 2 on the pedestal base plate **073-03** assembled in stage 84.

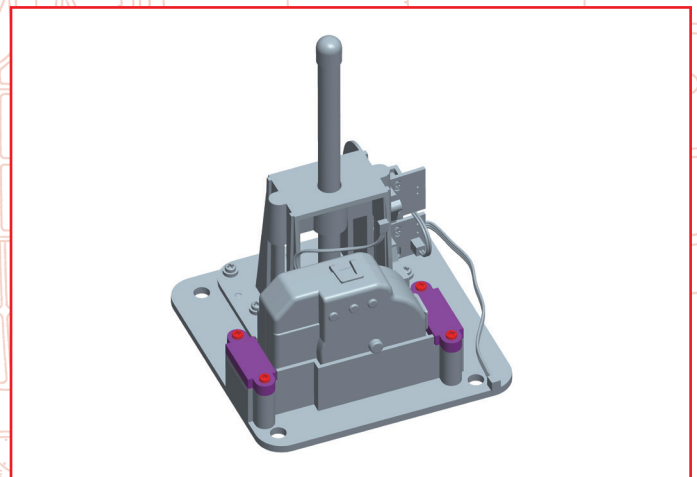
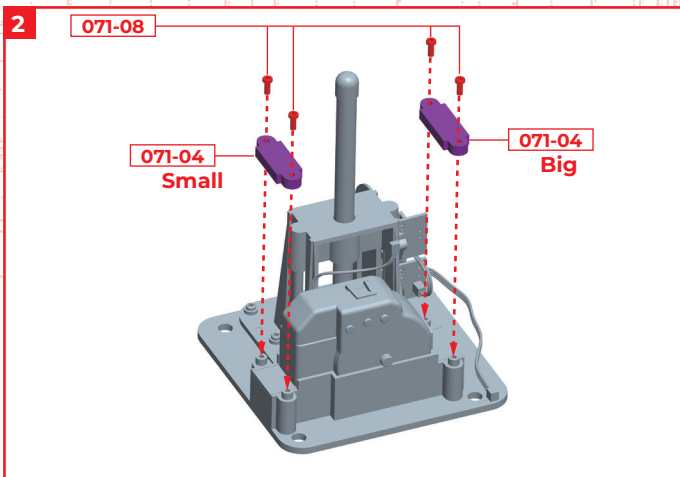


Fix the lifting device in place using 6 x screws **063-06** that came in stage 63.

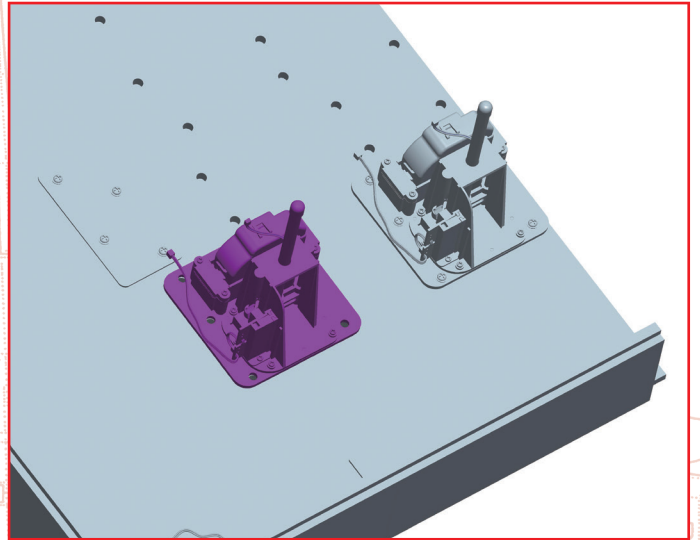
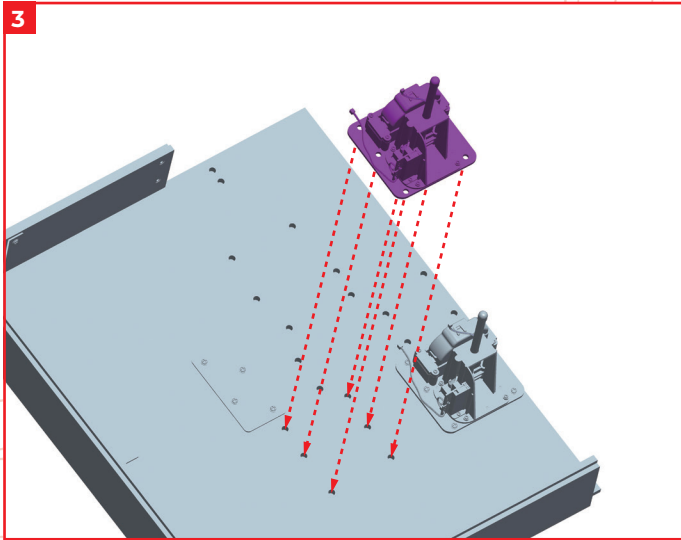
STEP 4 Installing the lifting device (2)



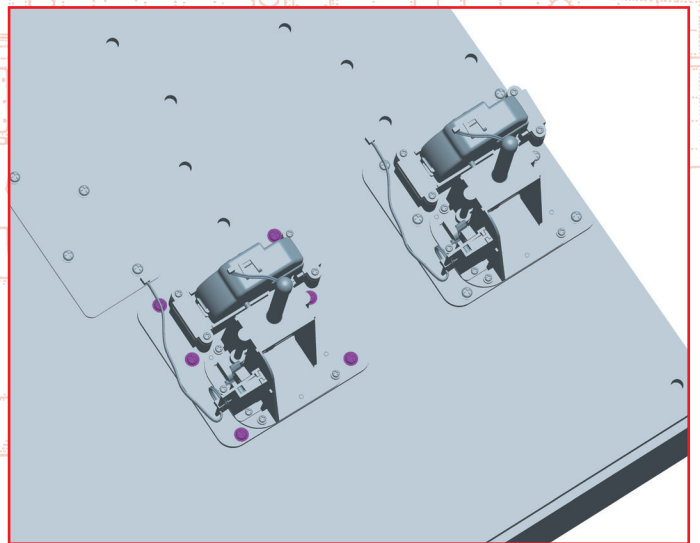
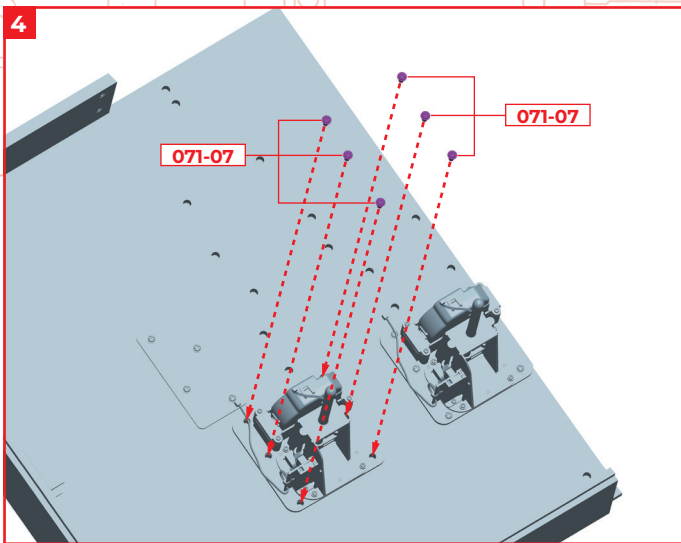
Fit the gearbox assembled in stage 82 onto the lifting device assembled in stage 79. As in STEP 3 insert the camshaft **082-05** from the gearbox into the groove of the slider **079-01**.



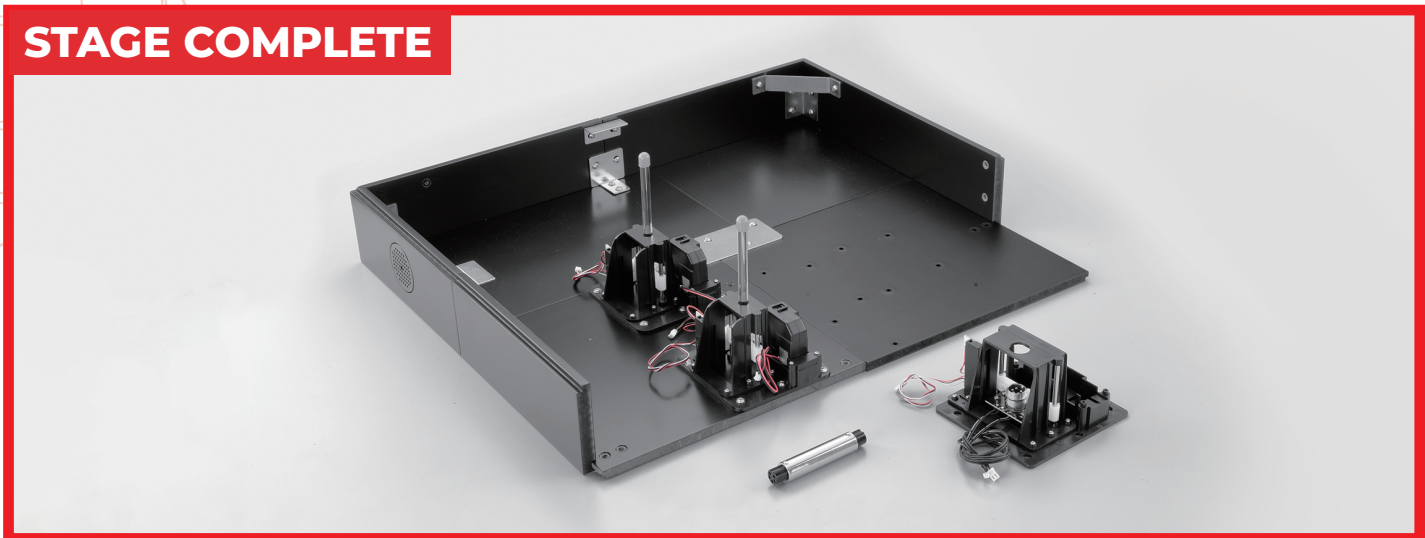
Fit the fasteners **071-04** that came with Stage 71 into the lifting device base **071-05**, and fix in place with 4 x screws **071-08** that came with Stage 71. Note: fasteners **071-04** come in two sizes, big and small, so be careful not to make a mistake.



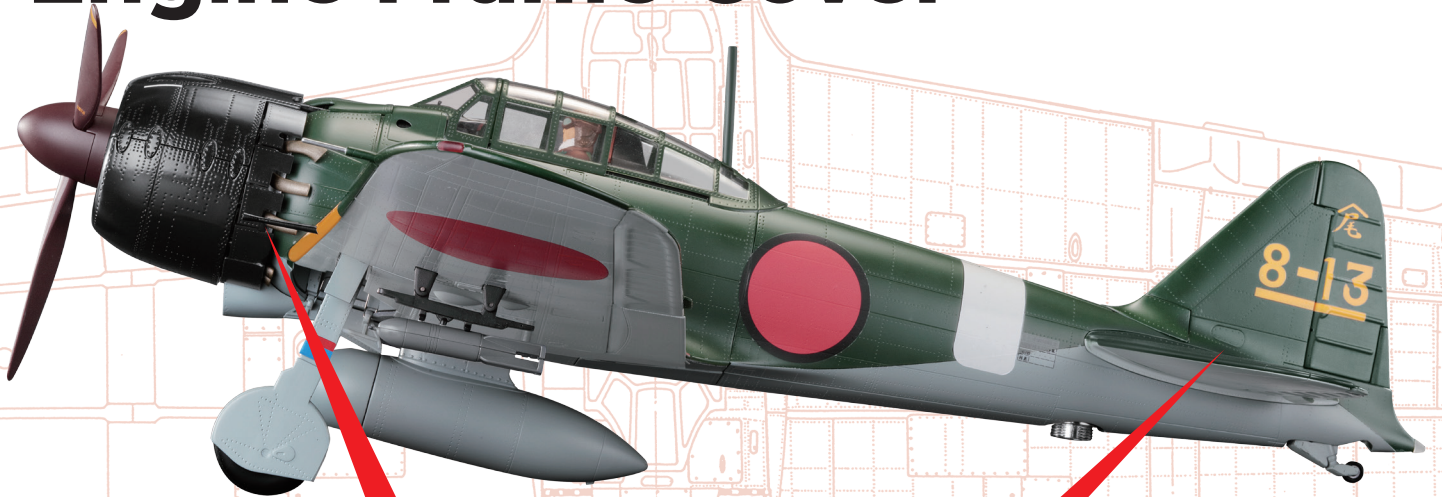
Place the lifting device assembled in 2 on the pedestal plate **073-03** next to the lifting device that was attached in STEP 3.



Fix the lifting device in place using 6 x screws **071-07** that came with Stage 71.



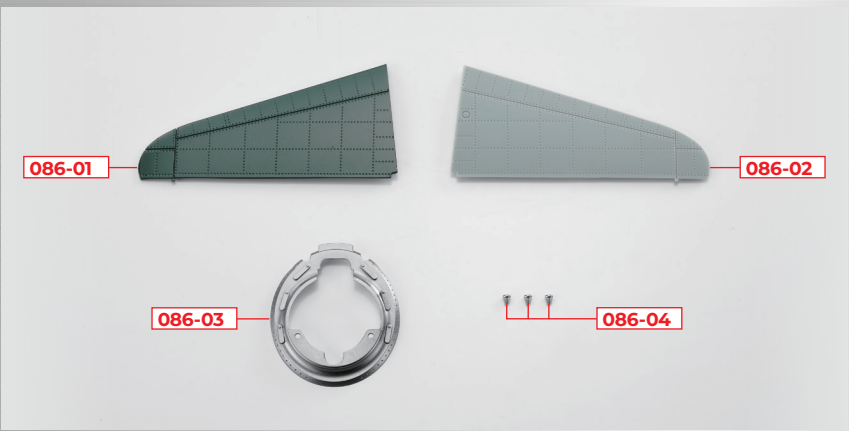
Stage 86: Installing the Left Horizontal Tail Wing and the Engine Frame Cover



Stage 86 Assembly
 Horizontal Tail Wing • Engine Frame Cover

In this stage we'll be installing the left horizontal tail wing and the engine frame cover. When temporarily removing the carburettor and air intake make sure these are kept away from other parts so as not to confuse them.

STAGE 86 PARTS



PARTS LIST

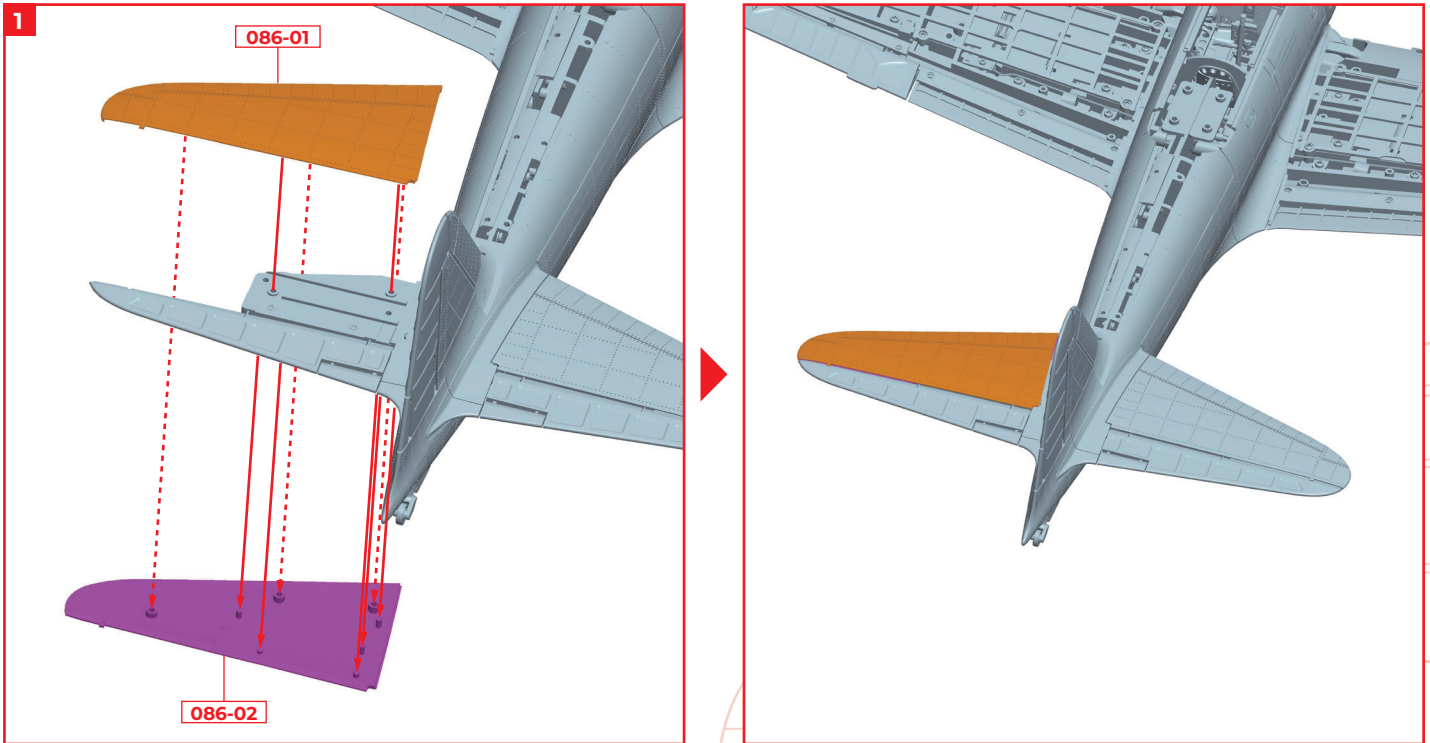
	Part	No.	Material
<input type="checkbox"/>	086-01	1	Die-cast
<input type="checkbox"/>	086-02	1	ABS resin
<input type="checkbox"/>	086-03	1	ABS resin
<input type="checkbox"/>	086-04	3 (1 spare)	Steel

You will also need: screwdriver
 * Parts may differ slightly from those shown but this will not affect assembly.

STEP 1

Installing the left horizontal tail wing

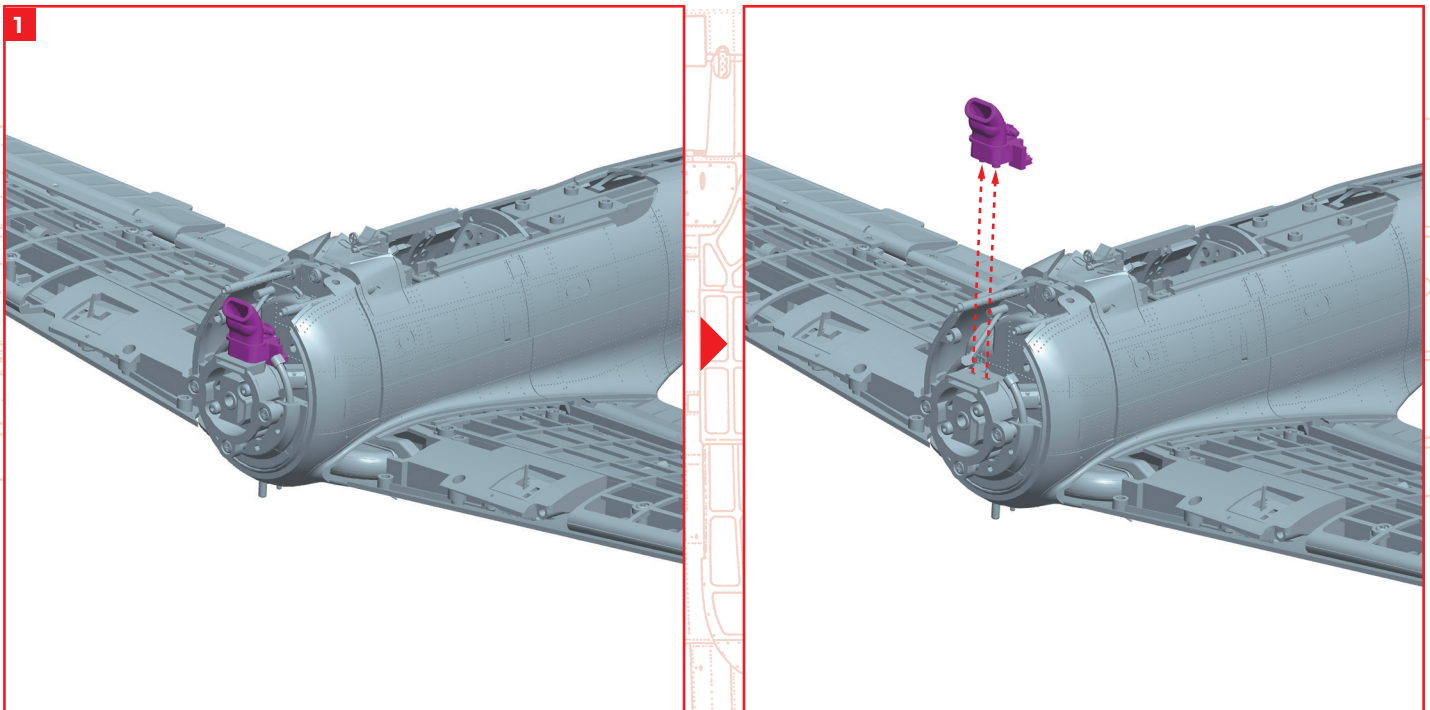
← : Glue
 ← : Don't Glue



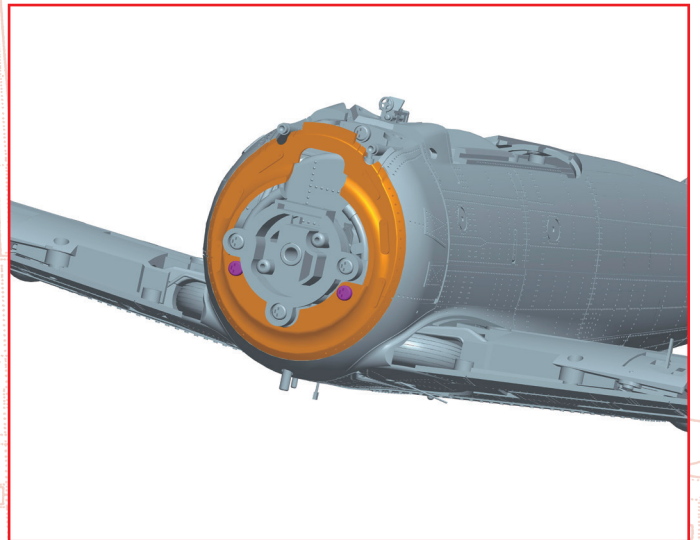
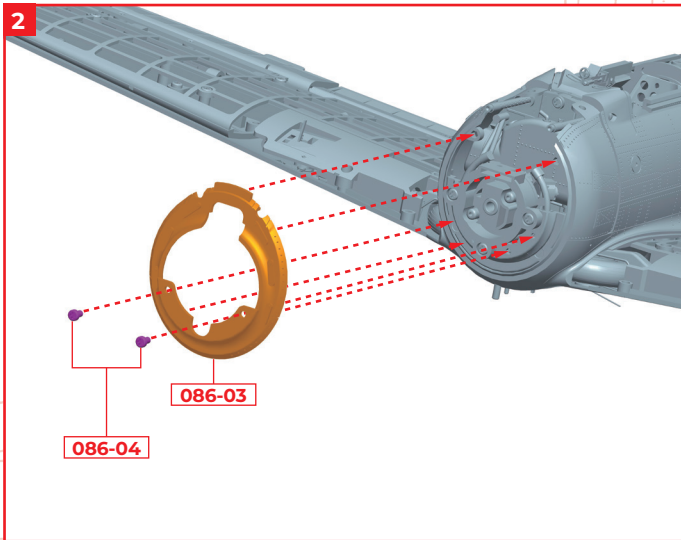
Apply superglue to the five pins on the lower surface of the left horizontal tail wing (underside) **086-02** and glue it to the left horizontal stabilizer of the aircraft, and then attach the left horizontal tail wing topside **086-01** from above.

STEP 2

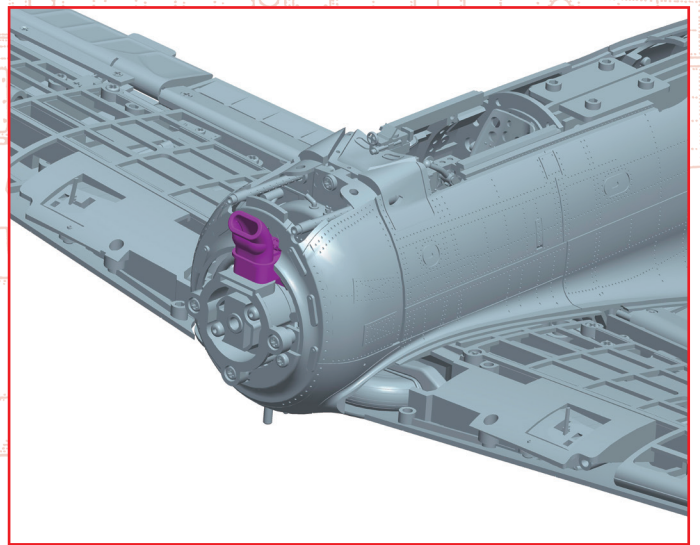
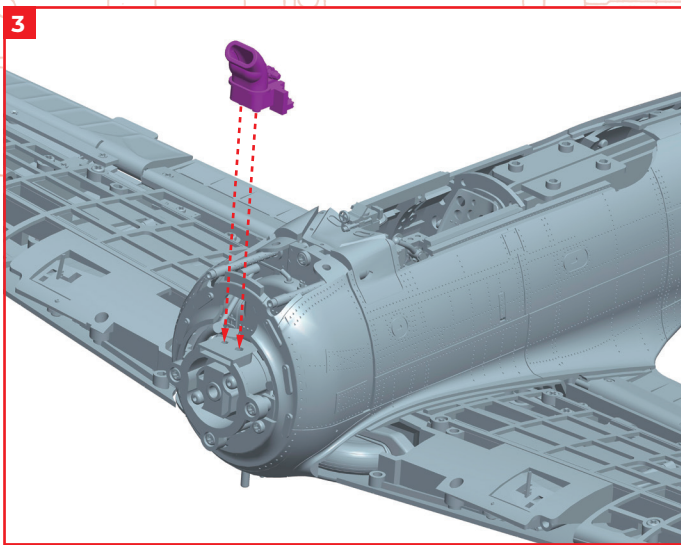
Installing the engine frame cover



Temporarily remove the carburettor and air intake from the engine.



Fit the engine frame cover **086-03** and fix in place with 2 x screws **086-04**.



Refit the carburettor and air intake that you removed in step 1.

STAGE COMPLETE



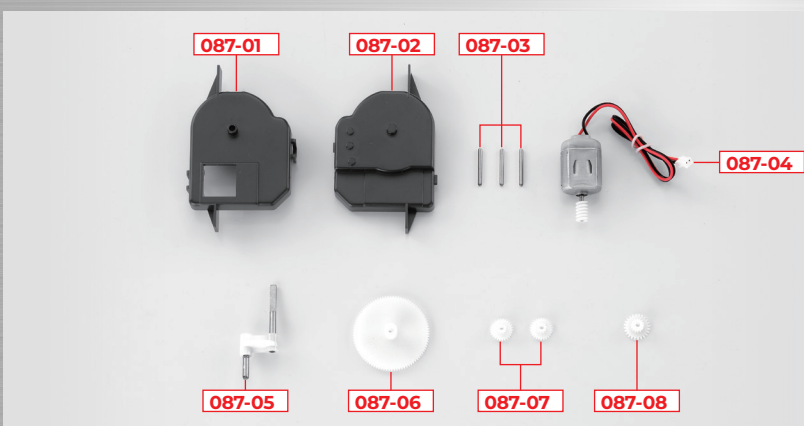
Stage 87: Assembling the Lifting Device Power Supply

Stage 87 Assembly

Lifting Device

In this stage we'll carry on assembling the lifting device for the display pedestal.

STAGE 87 PARTS



You will also need: screwdriver

* Parts may differ slightly from those shown but this will not affect assembly.

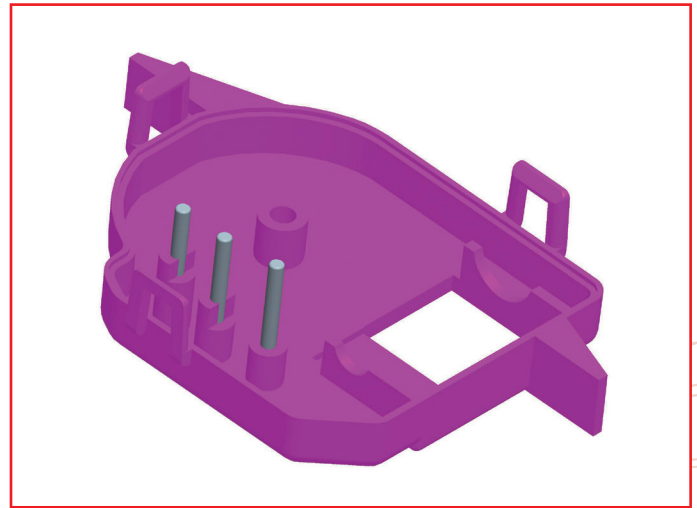
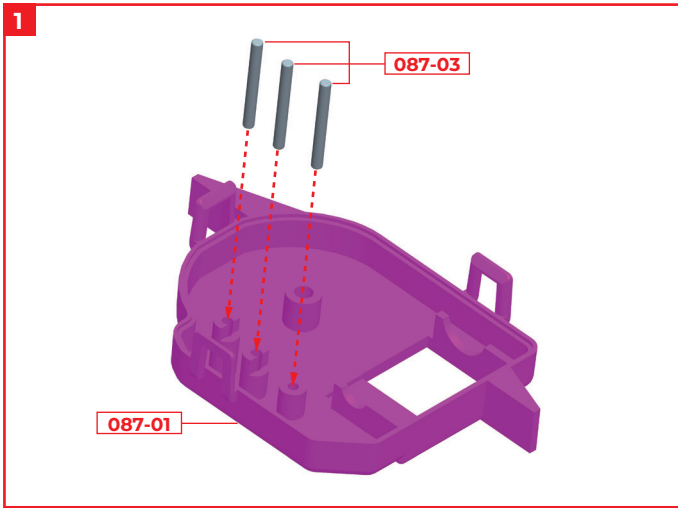
PARTS LIST

	Part	No.	Material
<input type="checkbox"/>	087-01	1	ABS resin
<input type="checkbox"/>	087-02	1	ABS resin
<input type="checkbox"/>	087-03	3	Steel
<input type="checkbox"/>	087-04	1	Motor
<input type="checkbox"/>	087-05	1	Steel + Plastic
<input type="checkbox"/>	087-06	1	Plastic
<input type="checkbox"/>	087-07	2	Plastic
<input type="checkbox"/>	087-08	1	Plastic

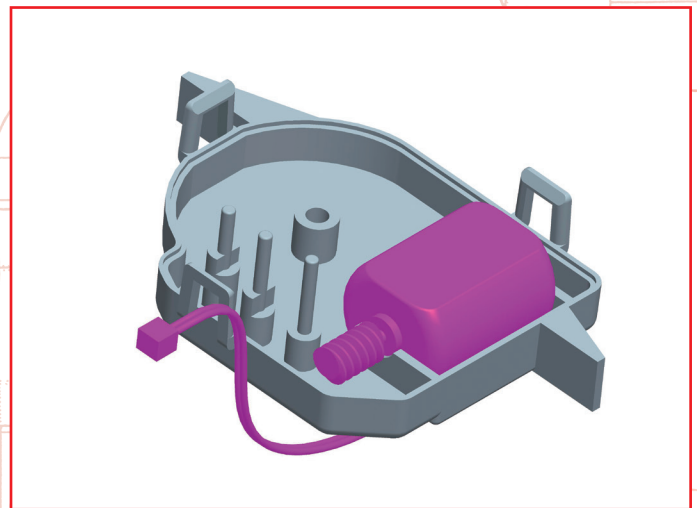
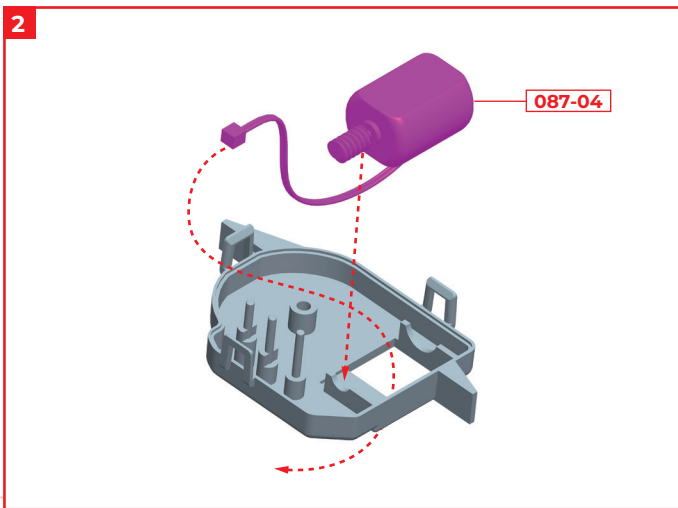
STEP 1

Assembling the lifting device gearbox

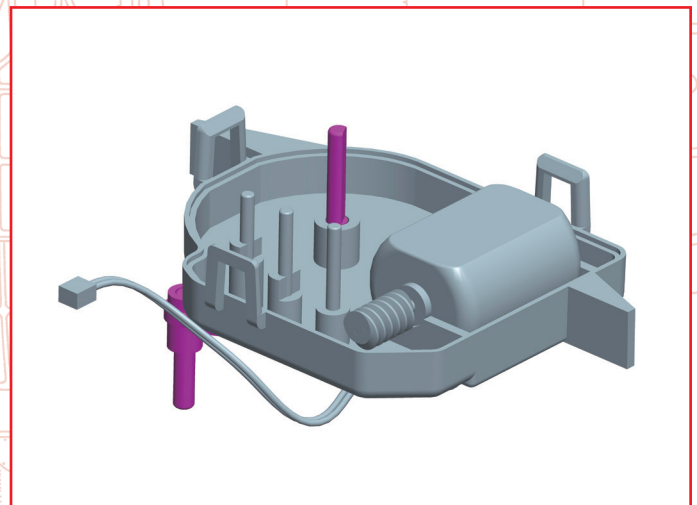
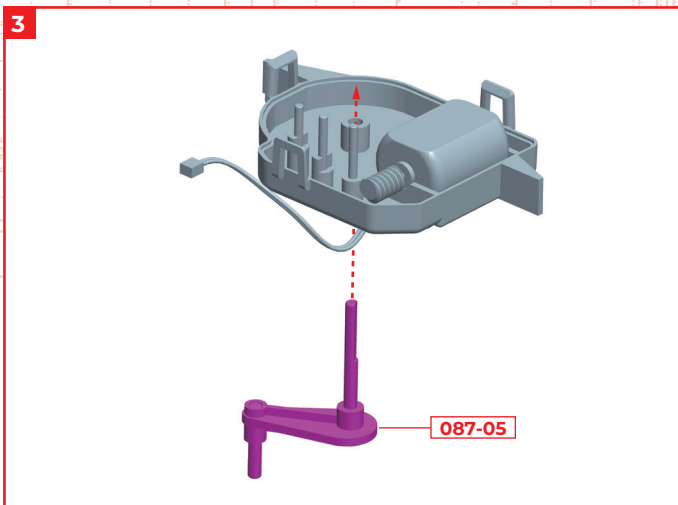
← : Glue
 ← : Don't Glue



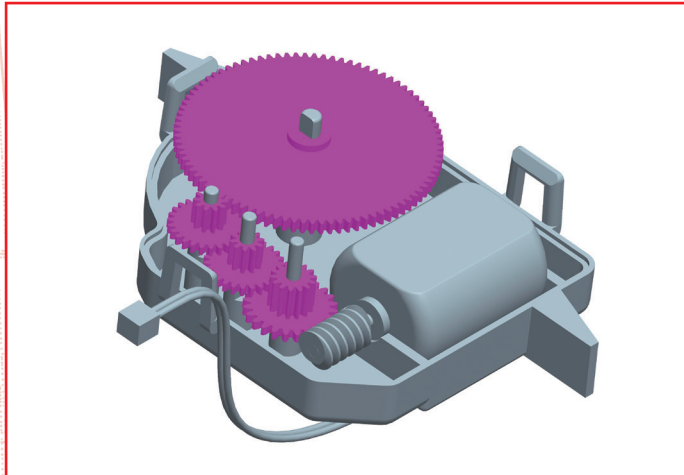
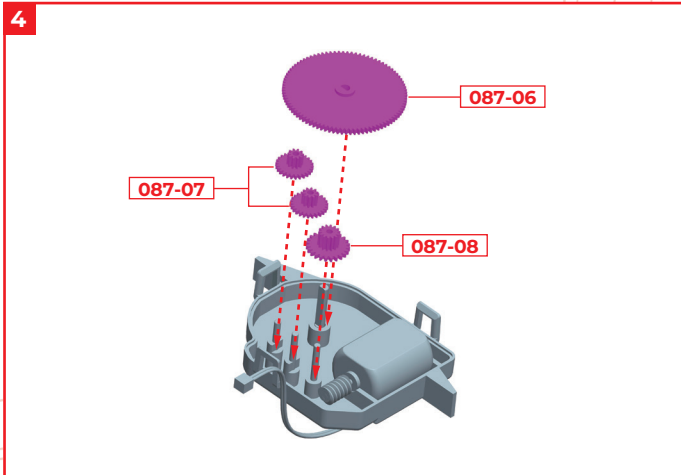
Insert three shafts **087-03** into the gearbox **087-01**. The holes are a little narrow, so make sure to insert them all the way to the bottom.



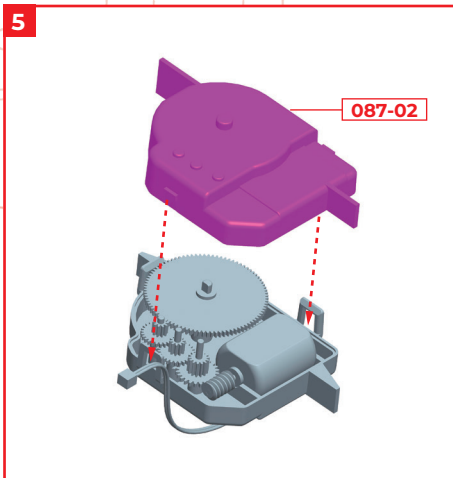
Pass the cord of motor **087-04** through the hole of gearbox **087-01** and fit it with the cord side down.



Insert the longer shaft on the camshaft **087-05** from underneath the gearbox **087-05**.



Fit the gear **087-08** and the two gears **087-07** into the three shafts **087-03** inserted in 1 in this order from the side closest to the motor. Make sure that the small gear faces upward. Finally, fit gear **087-06** onto the camshaft **087-05** inserted in step 3 with the small gear facing down.

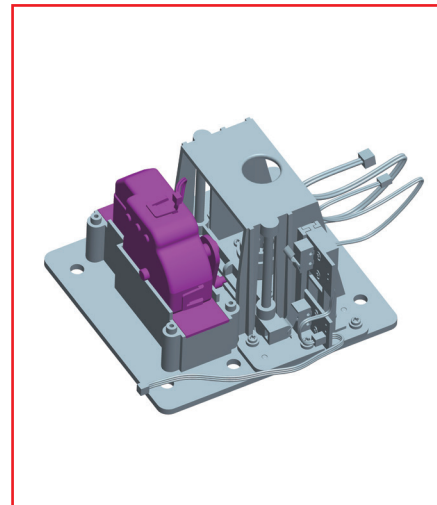
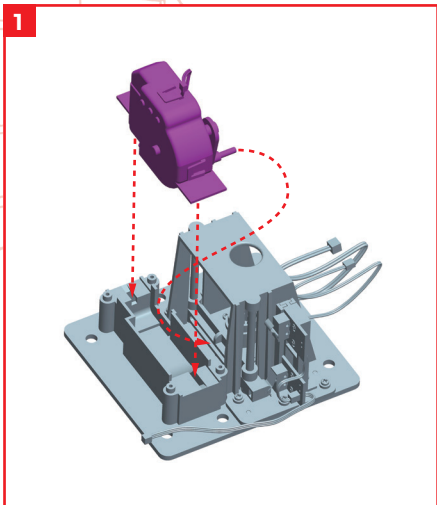


Cover the gearbox **087-01** with the gearbox cover **087-02** and fit the claws.

NOTE

Apply a small amount of grease or lubricant to the gears to make them run more smoothly.

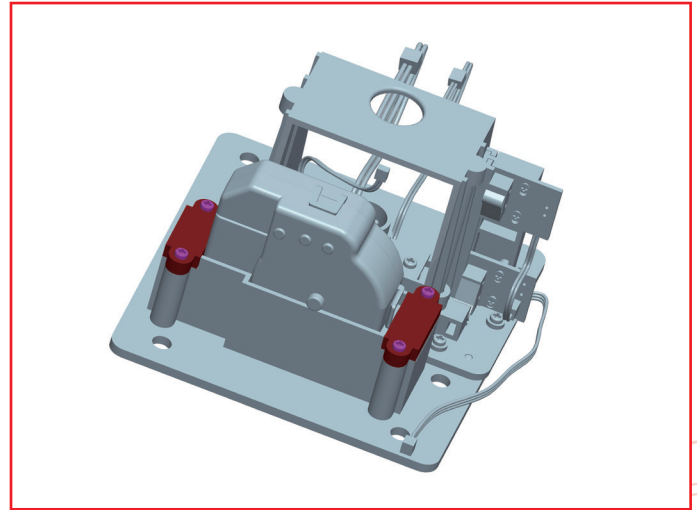
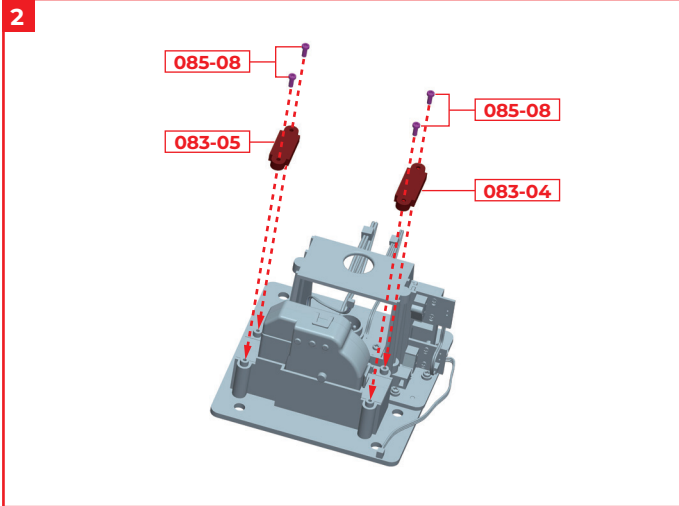
STEP 2 Assembling the lifting device power supply



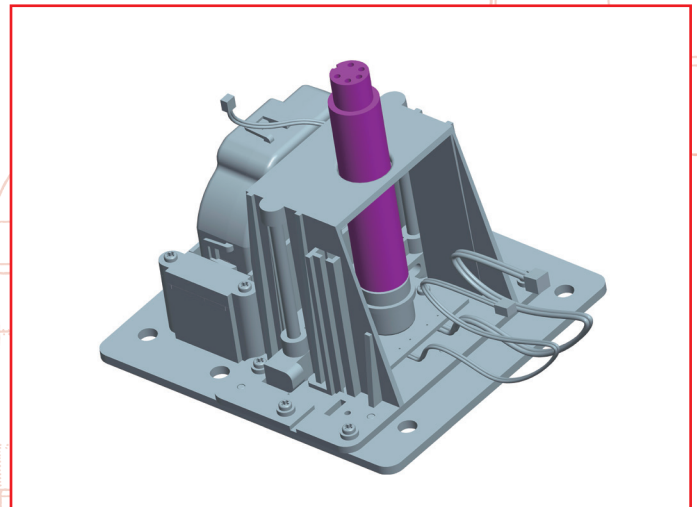
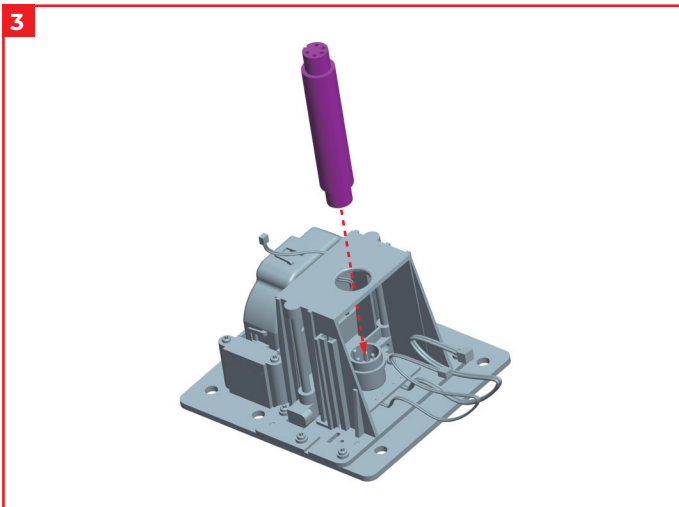
Fit the gearbox assembled in STEP 1 into the lifting device assembled in Stage 85.

NOTE

When inserting the gearbox firstly insert camshaft **087-05** into the groove on slider **085-04**.

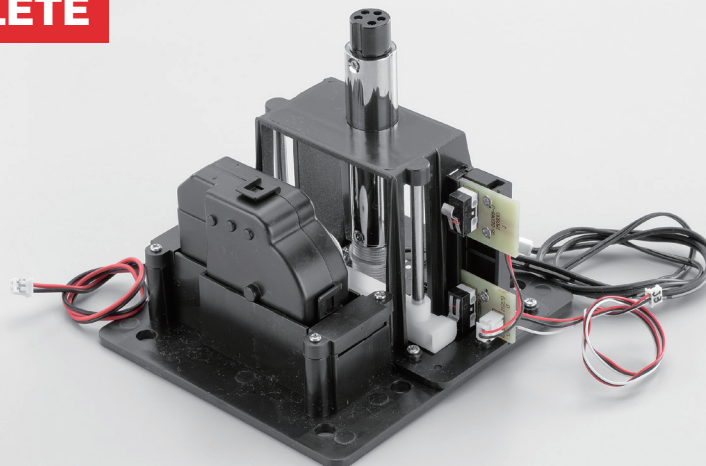


Fit the fitting component **083-04** (large) and **083-05** (small) that came with Stage 83 into the lifting device base **085-05**, and secure in place with 4 x screws **085-08** that came with Stage 85.

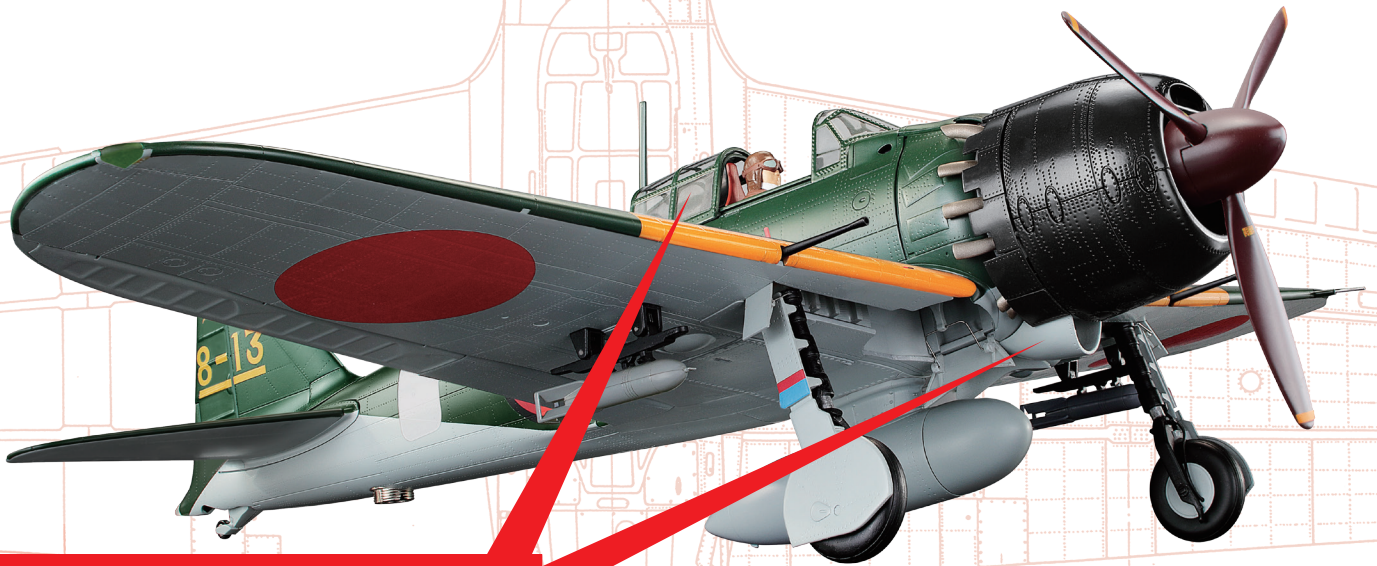


Insert the power supply connector assembled in Stage 85 through the hole in the base and insert it into the adaptor **084-04**. The power supply connector has a groove, so align it with the protrusion on the inside of the power connector **084-04**.

STAGE COMPLETE



Stage 88: Installing the Engine, Canopy and Air Intake

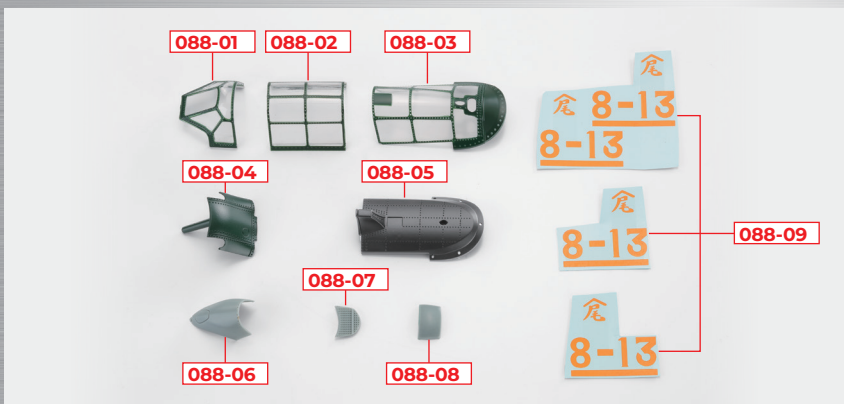


Stage 88 Assembly

Engine • Canopy • Air Intake

In this stage we'll attach the engine we assembled all the way back in stage 14 to the fuselage. We'll also attach the canopy to the cockpit and an air intake to the engine.

STAGE 88 PARTS



You will also need: superglue
 * 088-09 will not be used in this stage. Keep it in a safe place until required.
 * Parts may differ slightly from those shown but this will not affect assembly.

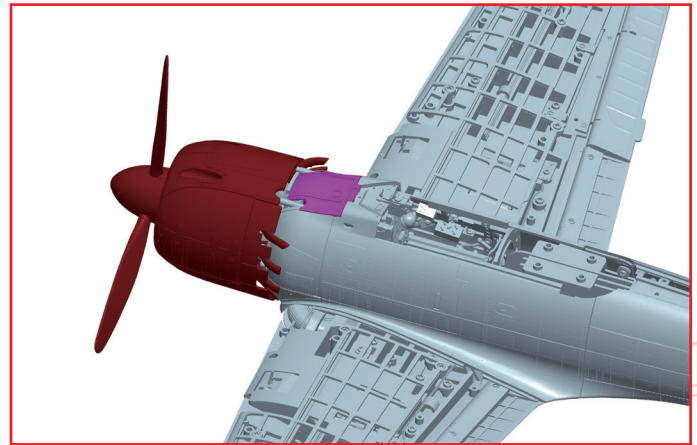
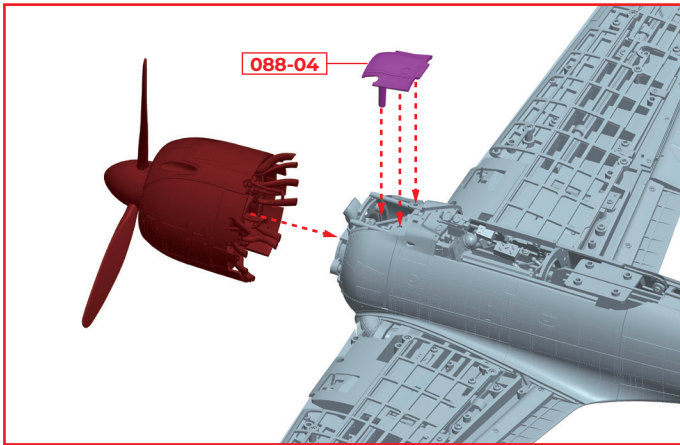
PARTS LIST

	Part	No.	Material
<input type="checkbox"/>	088-01	1	ABS resin
<input type="checkbox"/>	088-02	1	ABS resin
<input type="checkbox"/>	088-03	1	ABS resin
<input type="checkbox"/>	088-04	1	Die-cast
<input type="checkbox"/>	088-05	1	ABS resin
<input type="checkbox"/>	088-06	1	ABS resin
<input type="checkbox"/>	088-07	1	ABS resin
<input type="checkbox"/>	088-08	1	ABS resin
<input type="checkbox"/>	088-09	3 (1 spare)	Decals

STEP 1

Installing the engine, canopy and air intake

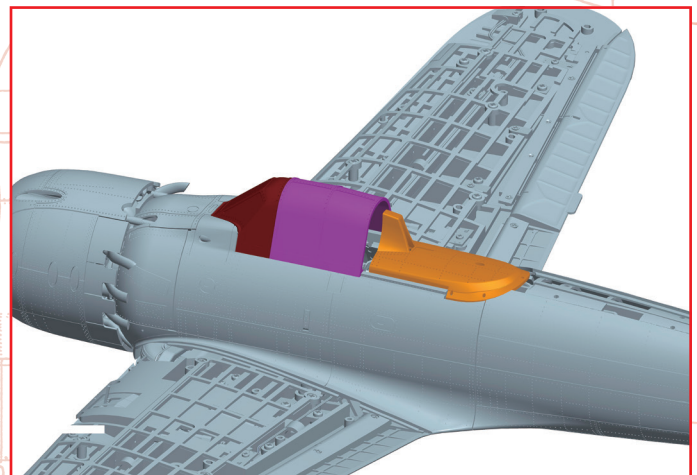
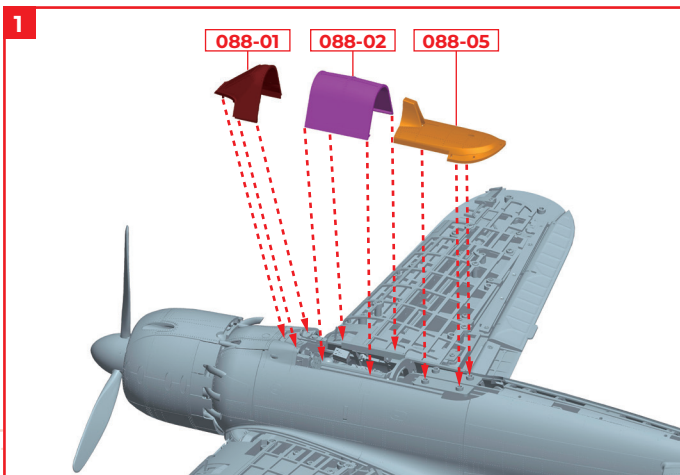
← : Glue
 ← : Don't Glue



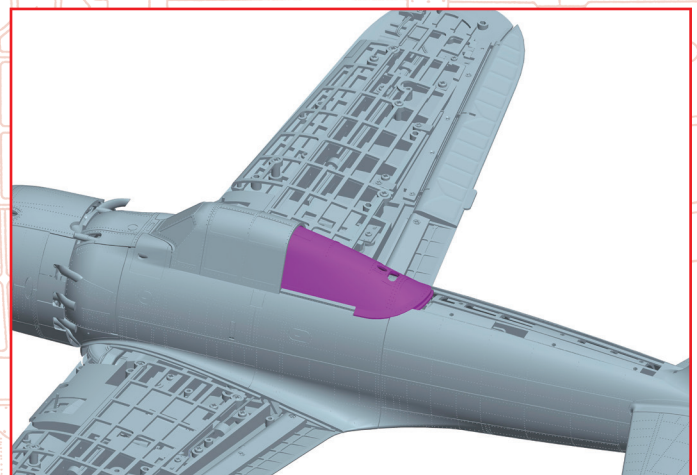
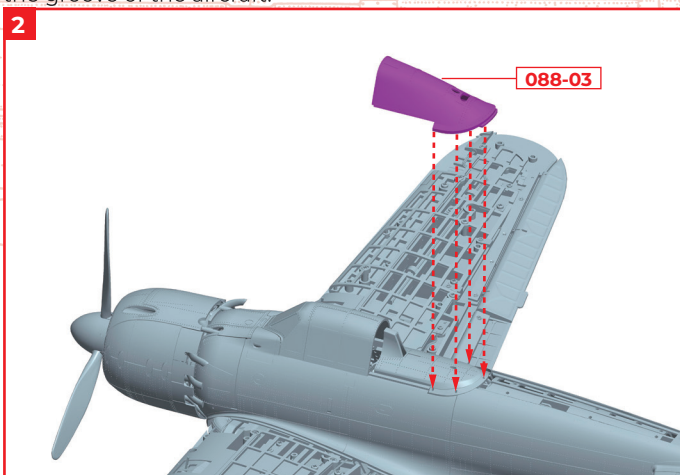
Insert the engine assembled in Stage 14 into the aircraft. Insert the jack while inserting the engine protrusion **010-01** into the slit of the machine. At the same time, insert the pin of the cover **088-04** into the hole of the engine protrusion and fit it into the fuselage.

STEP 2

Installing the canopy



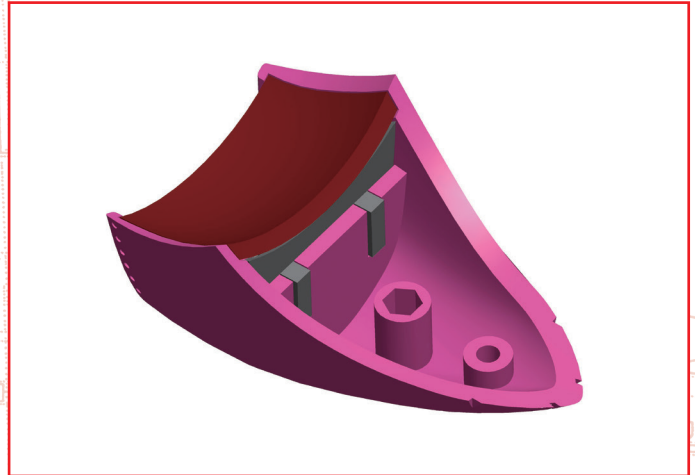
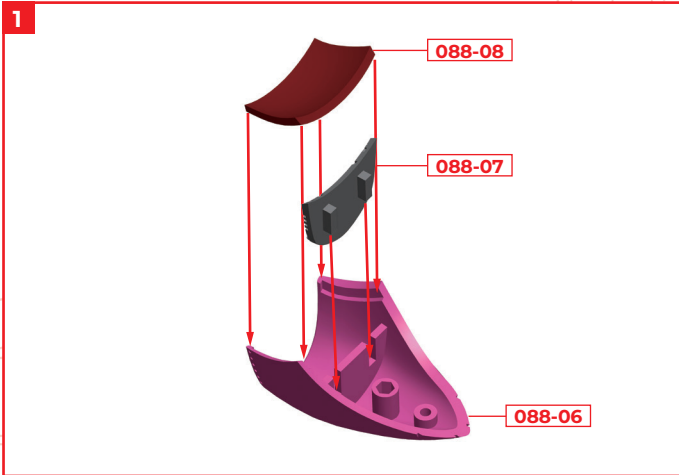
Fit the canopy (front) **088-01**, canopy (middle) **088-02**, and rear cockpit cover **088-05** into the aircraft. The middle canopy should fit into the groove of the aircraft.



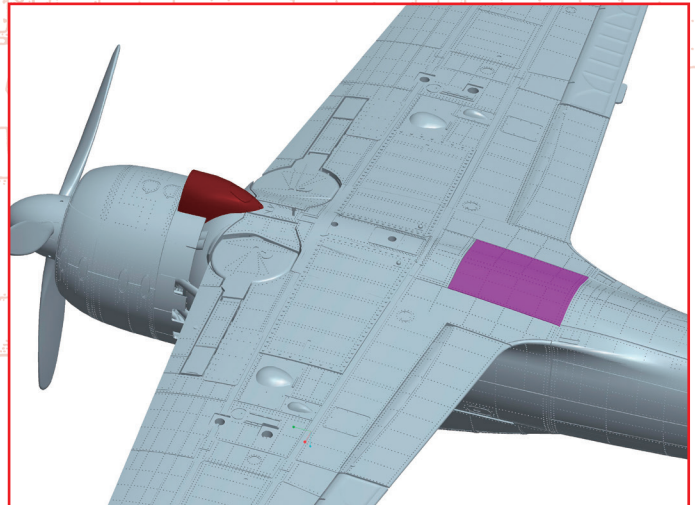
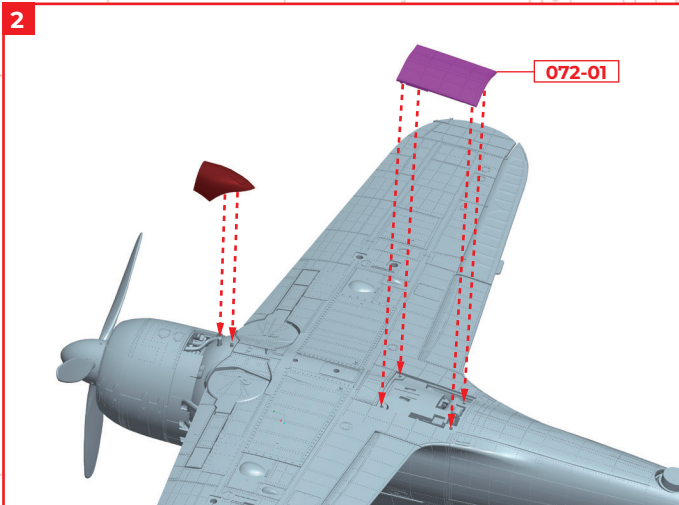
Fit the canopy (rear) **088-03** into the fuselage. Check that the middle canopy **088-02** can slide backwards.

STEP 3

Assembling and installing the air intake



Apply a small amount of superglue to the side of the mesh **088-07** where the two protrusions are located, and glue them so that they fit into the two grooves of the air intake **088-06**. Apply a small amount of superglue to both ends of cover **088-08** and glue it into the groove of air intake **088-06**.



Insert the air intake port assembled in 1 into the bottom of the aircraft. Carefully insert the fuselage panel **072-01** that came with Stage 72.

STAGE COMPLETE



Stage 89: Attaching the Mesh Cover and Assembling the Display Pedestal

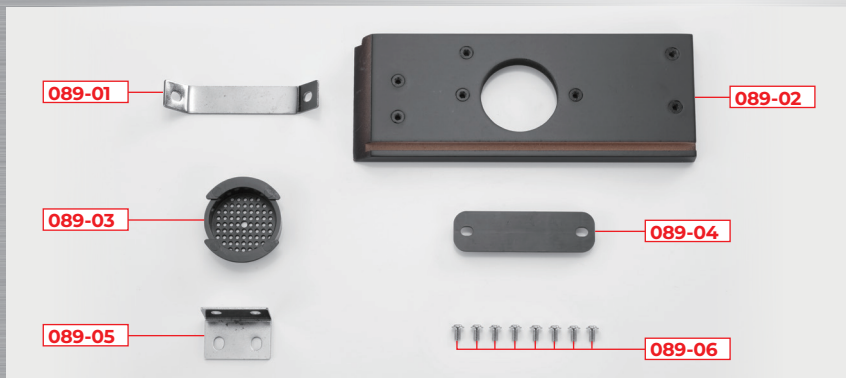


Stage 89 Assembly

Mesh Cover • Pedestal

In this stage we'll be assembling a mesh cover and then fitting this into the display pedestal. When screwing the metal fasteners into the display pedestal make sure everything lines up perfectly.

STAGE 89 PARTS



You will also need: screwdriver

* 089-05 will not be used in this stage. Also, you will only need four of the 089-06 screws – keep the remaining four screws in a safe place.

* Parts may differ slightly from those shown but this will not affect assembly.

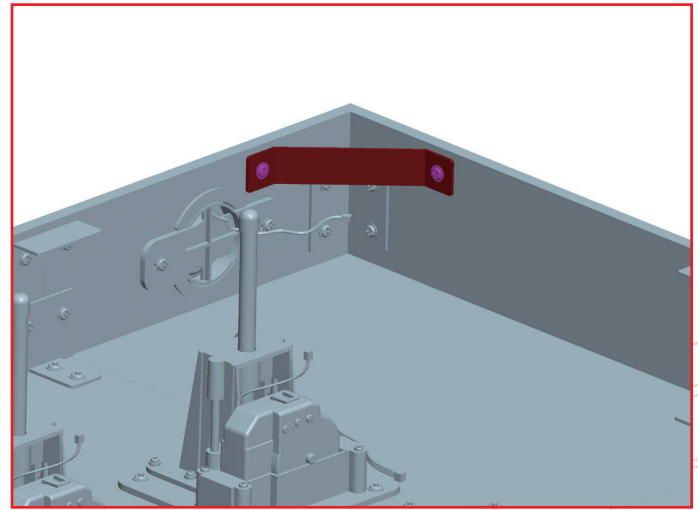
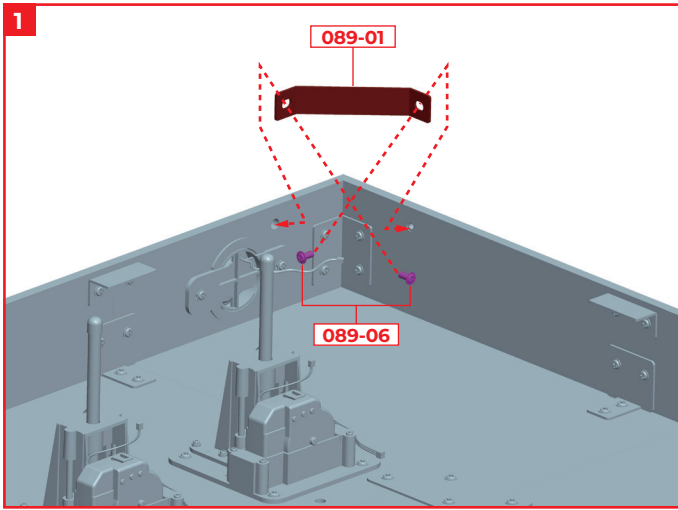
PARTS LIST

	Part	No.	Material
<input type="checkbox"/>	089-01	1	Steel
<input type="checkbox"/>	089-02	1	MDF
<input type="checkbox"/>	089-03	1	ABS resin
<input type="checkbox"/>	089-04	1	ABS resin
<input type="checkbox"/>	089-05	1	Steel
<input type="checkbox"/>	089-06	8 (1 spare)	Steel

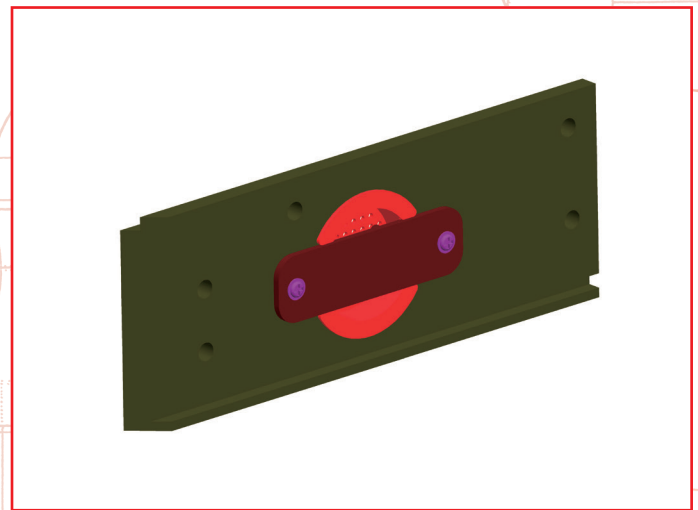
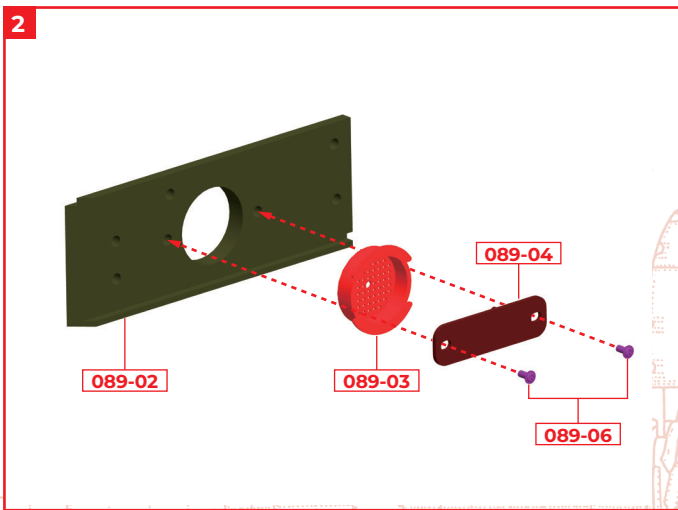
STEP 1

Assembling the display pedestal base frame

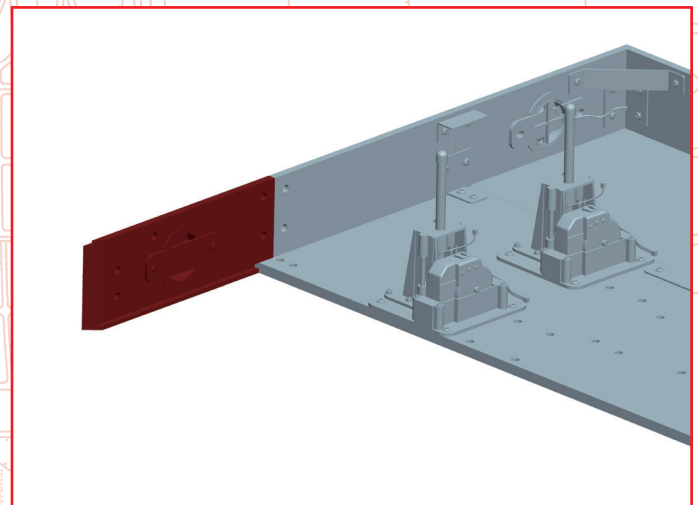
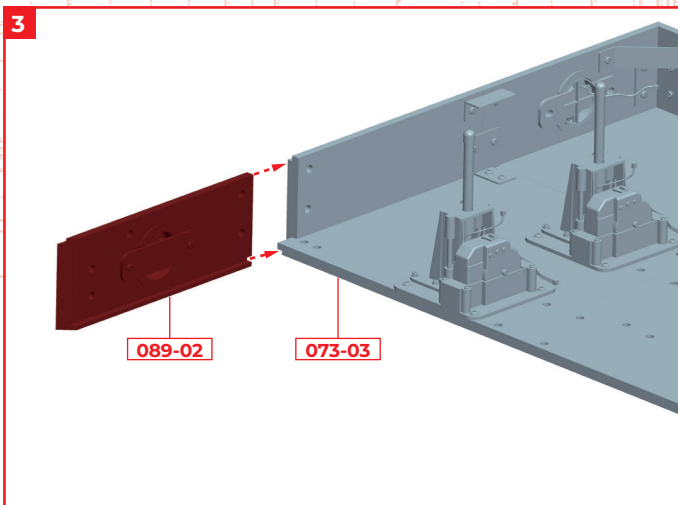
← : Glue
- - - : Don't Glue



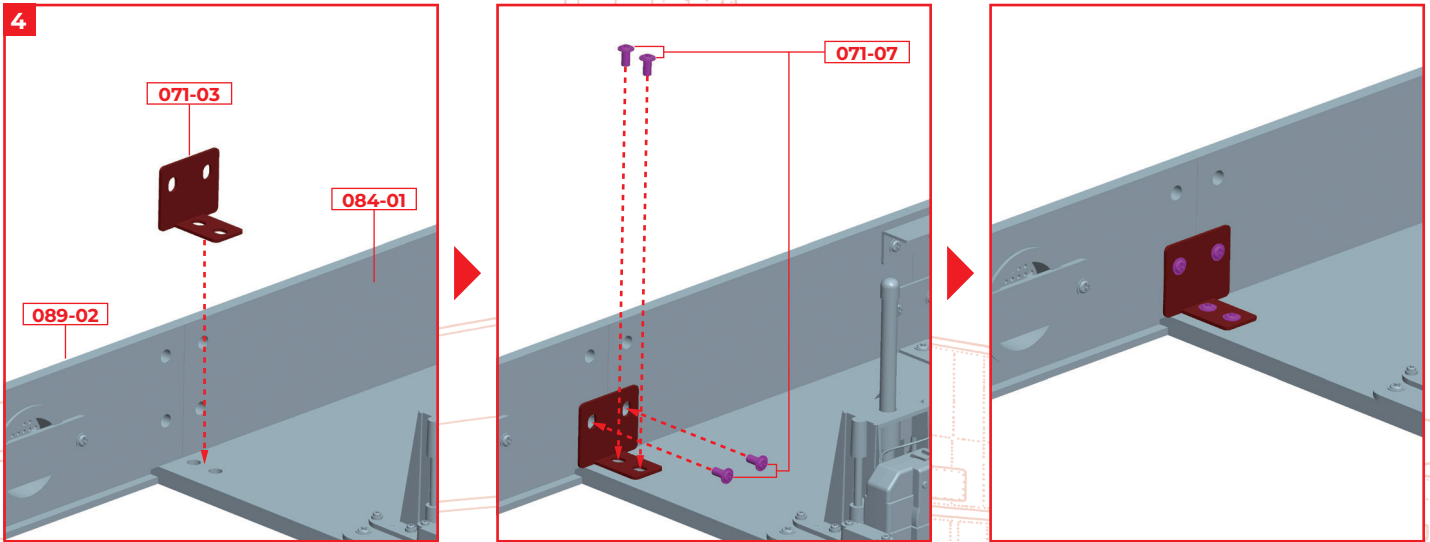
Align the metal fitting **089-01** with the pedestal, and fix in place with 2 x screws **089-06**.



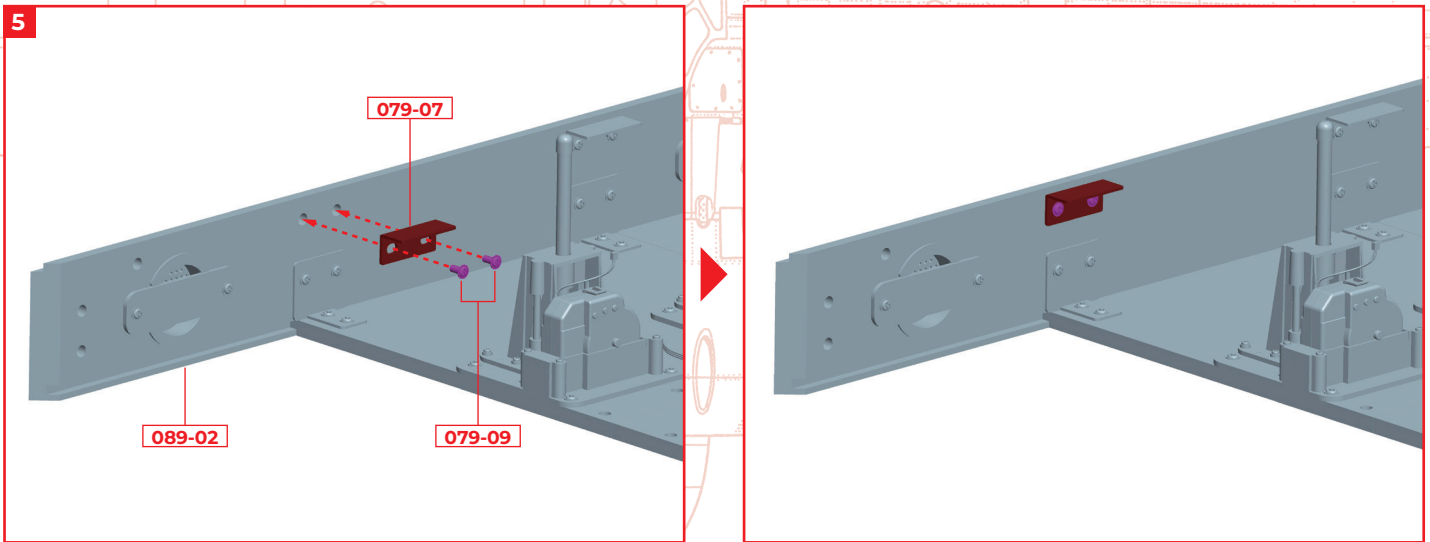
Fit the mesh cover **089-03** into the pedestal frame **089-02**, fit the cover holder **089-04** on top, and fix in place with 2 x screws **089-06**.



Fit the grooved part of the pedestal frame assembled in 2 into the pedestal assembled in Stage 84.

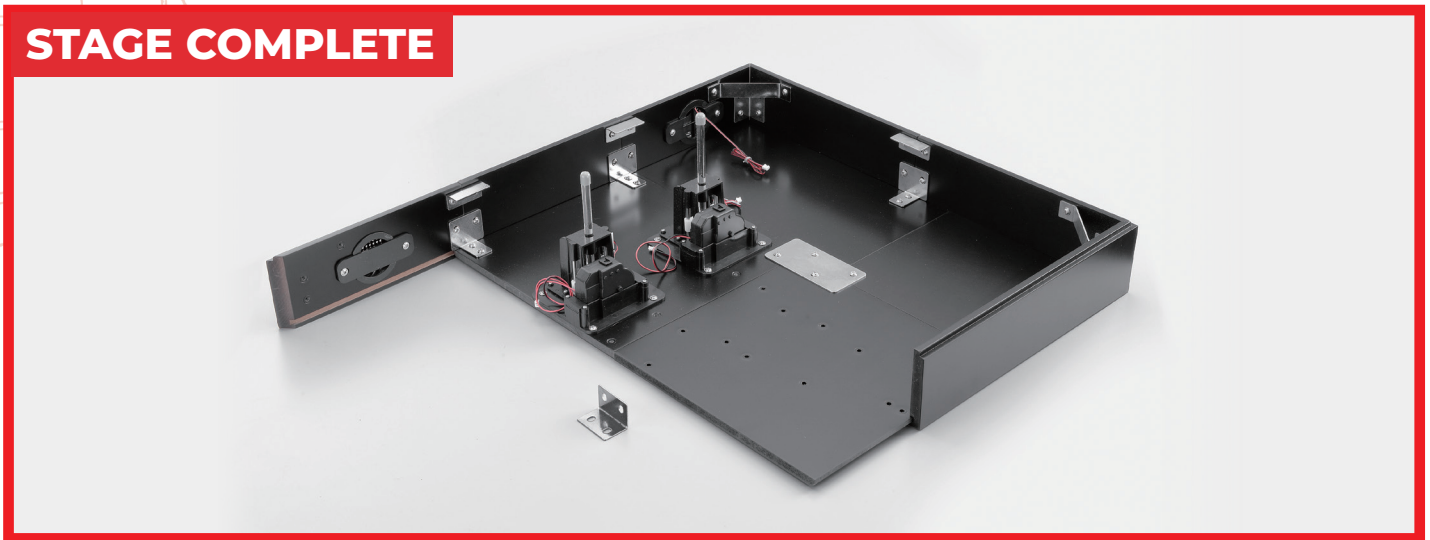


Align the metal fitting **071-03** that came with Stage 71 with the pedestal frame parts **084-01** and **089-02**, and fix in place with 4 x screws **071-07**.

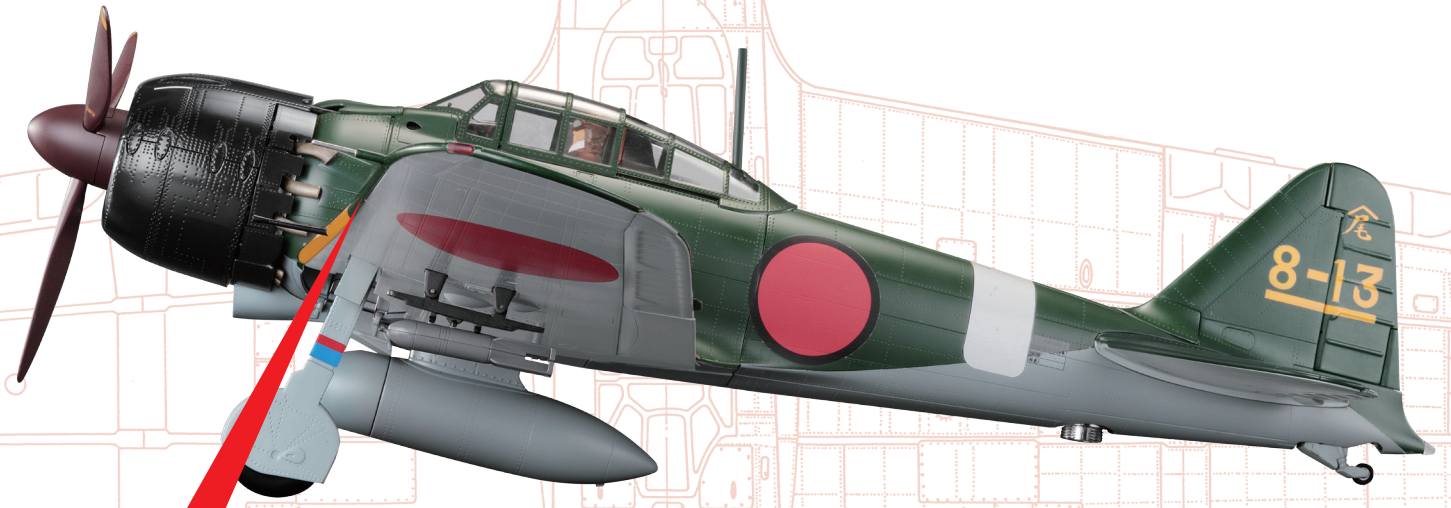


Align the metal fitting **079-07** that came with Stage 79 with the pedestal frame parts **084-01** and **089-02**, and fix them in place with 2 x screws **079-09**.

STAGE COMPLETE



Stage 90: Checking the Top Surface of the Left Wing

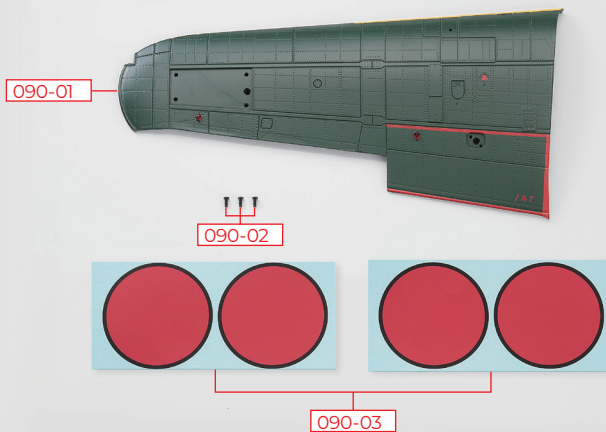


Stage 90 Assembly

Top Surface of the Left Wing

In this stage we'll be checking the Rising Sun decals for the top panel of the left wing and other completed parts of the wings and fuselage. There's no assembly in this stage but make sure you've got the correct number of decals.

STAGE 90 PARTS



PARTS LIST

	Part	No.	Material
<input type="checkbox"/>	090-01	1	Die-cast
<input type="checkbox"/>	090-02	3 (1 spare)	Steel
<input type="checkbox"/>	090-03	2 sets (1 spare set)	Decal

There is no assembly in this stage. Keep everything in a safe place until required in a later stage.

Stage 91: Installing the Lifting Device and Power Supply

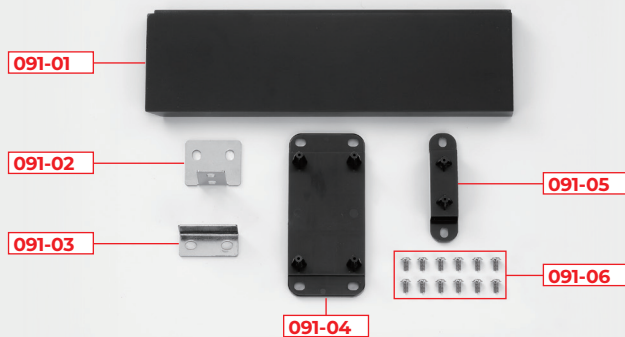


Stage 91 Assembly

Power Supply • Lifting Device

In this stage we'll begin installing the circuit board which controls the lifting device in the display pedestal and joining up the power supply. Once done the lifting device should be capable of moving the aircraft up and down as well as firing off the various electronic features.

STAGE 91 PARTS



You will also need: screwdriver

* 091-01, 091-02, 091-03, 091-05, and 8 x 091-06 will not be used in this stage. Keep them in a safe place until required in a later stage.

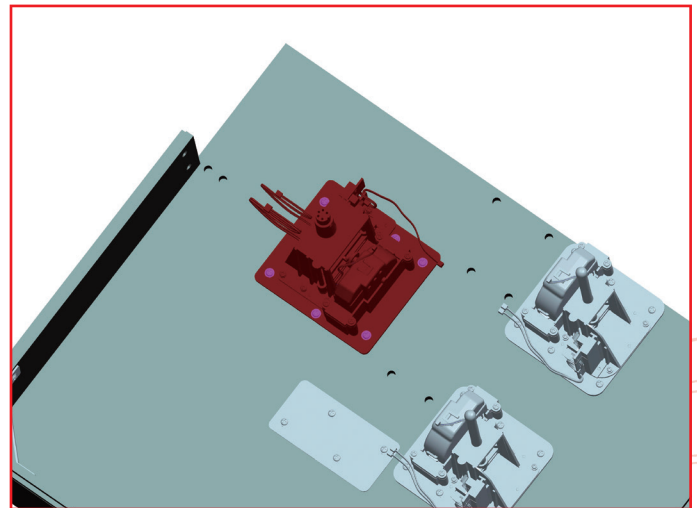
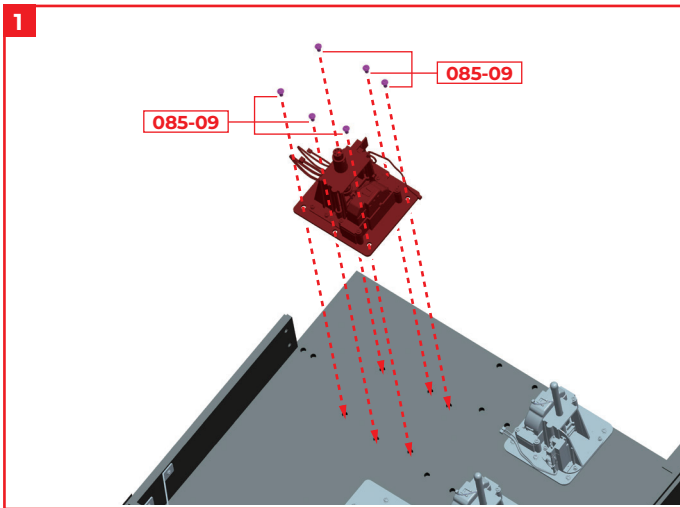
PARTS LIST

	Part	No.	Material
<input type="checkbox"/>	091-01	1	MDF
<input type="checkbox"/>	091-02	1	Steel
<input type="checkbox"/>	091-03	1	Steel
<input type="checkbox"/>	091-04	1	ABS resin
<input type="checkbox"/>	091-05	1	ABS resin
<input type="checkbox"/>	091-06	12	Steel

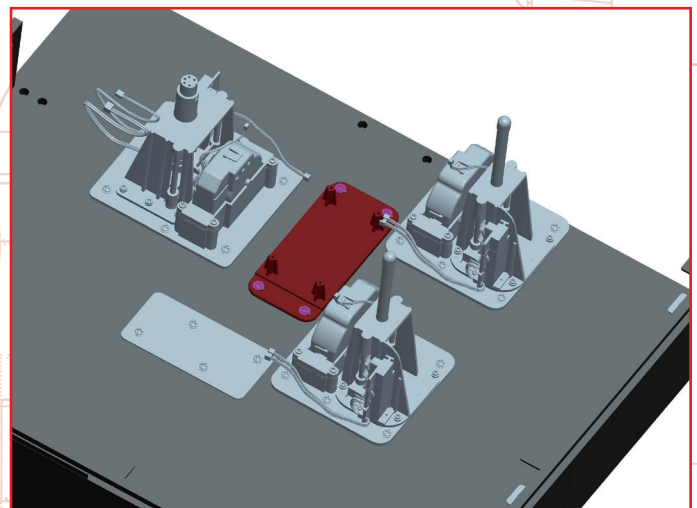
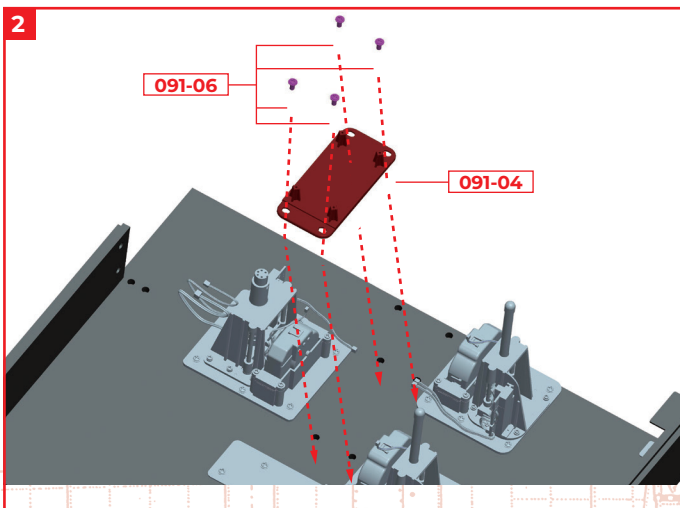
STEP 1

Installing the power supply connector for the lifting device

← : Glue
- - - : Don't Glue

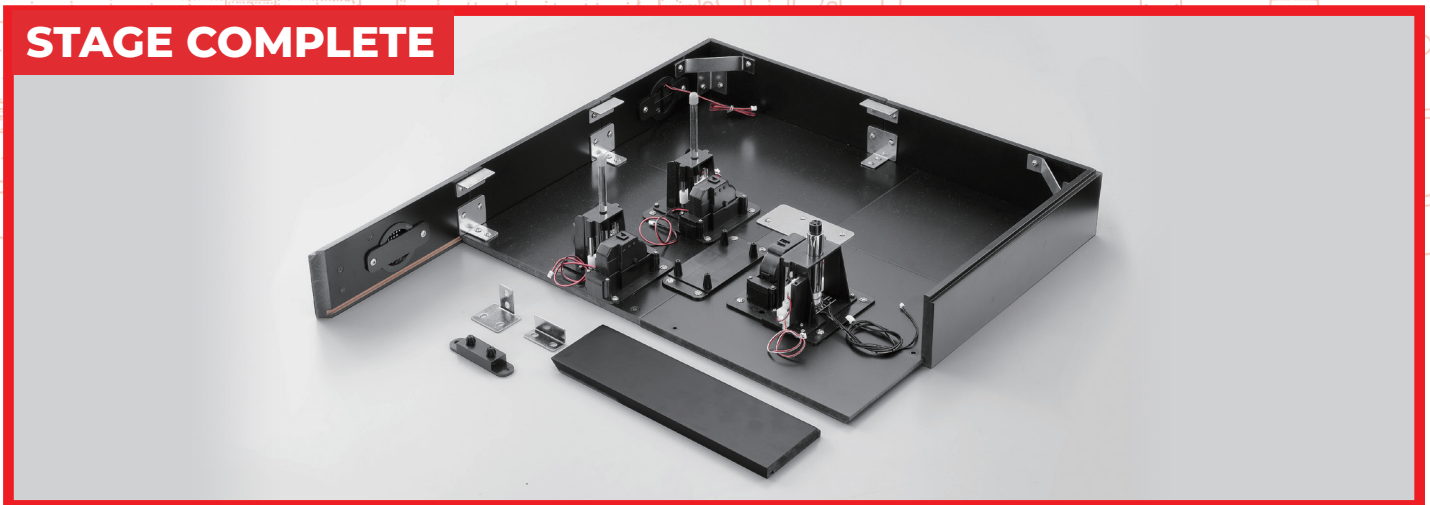


Place the lifting device with power supply assembled in Stage 87 on the pedestal, paying attention to the orientation of the parts, and fix in place with 6 x screws **085-09** supplied with Stage 85.



Place the circuit board mount **091-04** on the pedestal and fix it in place with 4 x screws **091-06**.

STAGE COMPLETE



Stage 92: Checking the Top Surface of the Right Wing

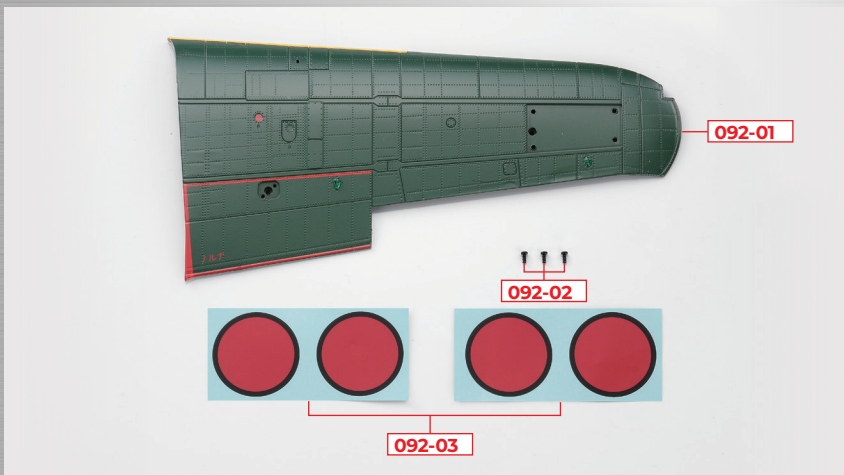


Stage 92 Assembly

Upper Surface of the Right Wing

In this stage we'll be checking the Rising Sun decals for the top panel of the right wing and other completed parts of the wings and fuselage. There's no assembly in this stage but make sure you've got the correct number of decals.

STAGE 92 PARTS



PARTS LIST

	Part	No.	Material
<input type="checkbox"/>	092-01	1	Die-cast
<input type="checkbox"/>	092-02	3 (1 spare)	Steel
<input type="checkbox"/>	092-03	2 sets (1 spare set)	Decal

There is no assembly in this stage. Keep everything in a safe place until required in a later Stage.