

LONDON TRANSPORT ROUTEMASTER BUS

RM 857



Pack 11

BUILD INSTRUCTIONS

STAGE 101: FRONT GRILLE AND RAIN SHIELDS

**STAGE 102: ARRANGING THE WIRING AND
FITTING THE REAR FRAMEWORK**

**STAGE 103: FITTING OUTER PANELS
AND TRIMS**

**STAGE 104: FITTING FRONT OFFSIDE CORNER
PANEL AND TRIMS**

**STAGE 105: FITTING THE REAR UPPER DECK
PANEL AND DESTINATION BLIND**

**STAGE 106: FITTING THE EMERGENCY EXIT
IN THE REAR UPPER DECK WINDOW**

STAGE 107: REAR WALL PANEL AND DETAILS

**STAGE 108: LAMPS AND TRIMS FOR
THE REAR WALL PANEL**

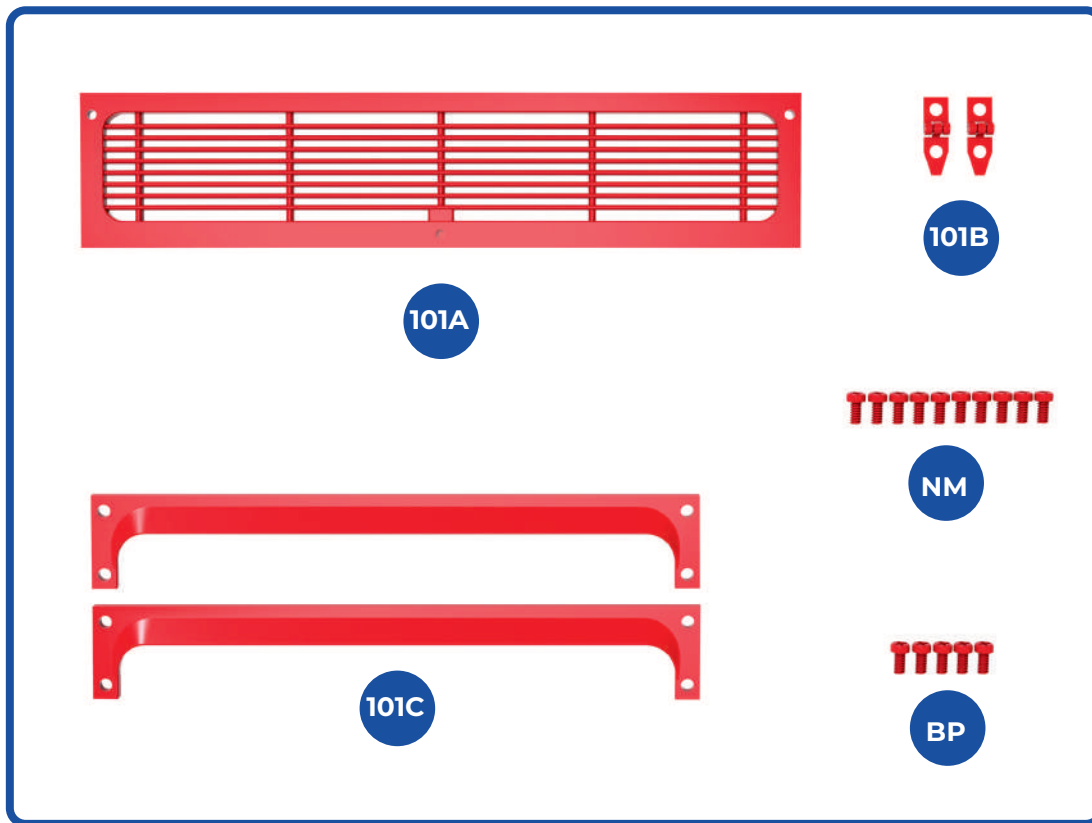
**STAGE 109: SIDE PANEL AND TRIM STRIPS
FOR THE NEAR SIDE**

**STAGE 110: SIDE PANEL AND TRIM STRIPS
FOR THE NEAR SIDE**

STAGE 101

FRONT GRILLE AND RAIN SHIELDS

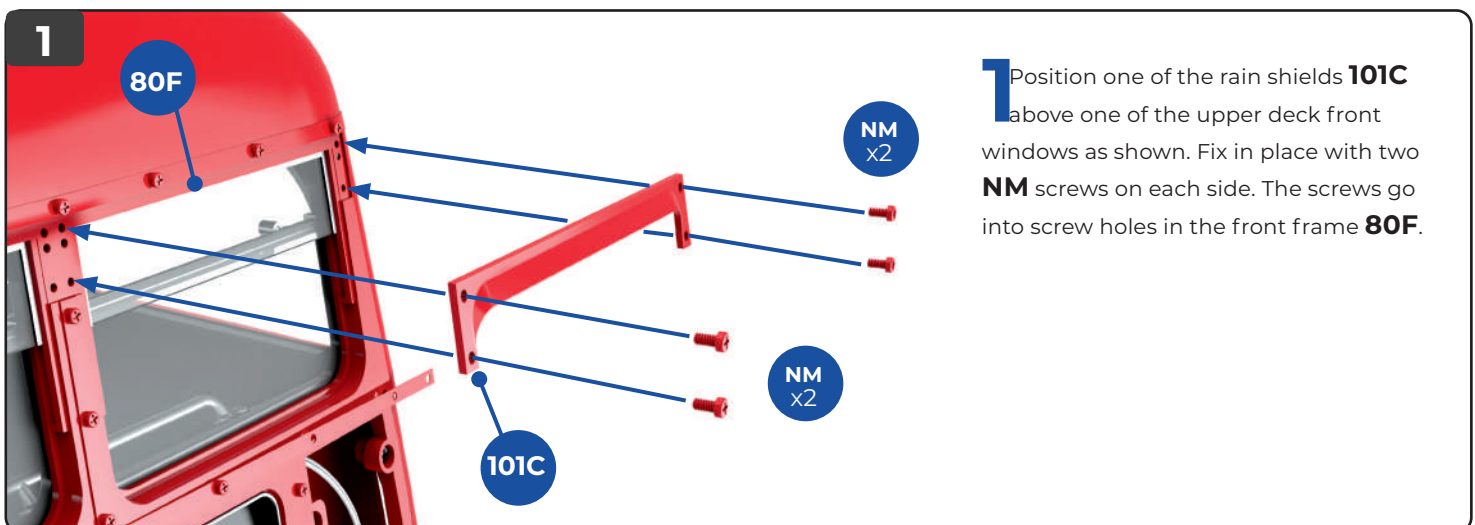
The grille for the ventilation system is fitted beneath the front destination blind and rain shields are added to the front upper deck windows.



KEY TO PARTS

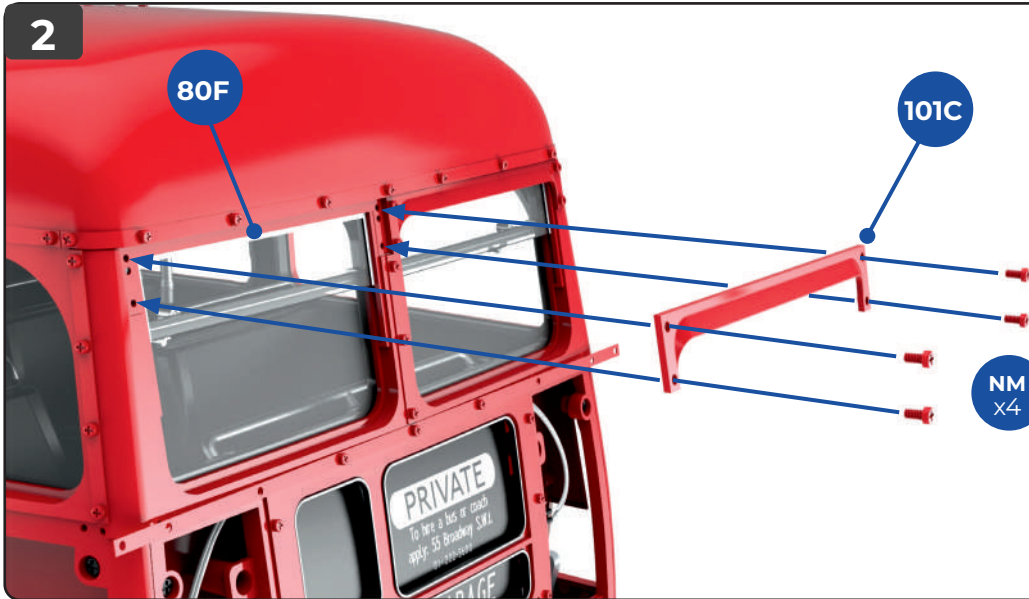
- 101A** Grille hatch
- 101B** Hinges (x2)
- 101C** Rain shield (x2)

- NM** 1.5 x 3mm (x10, red)
- BP** 1.5 x 3mm (x5, red)



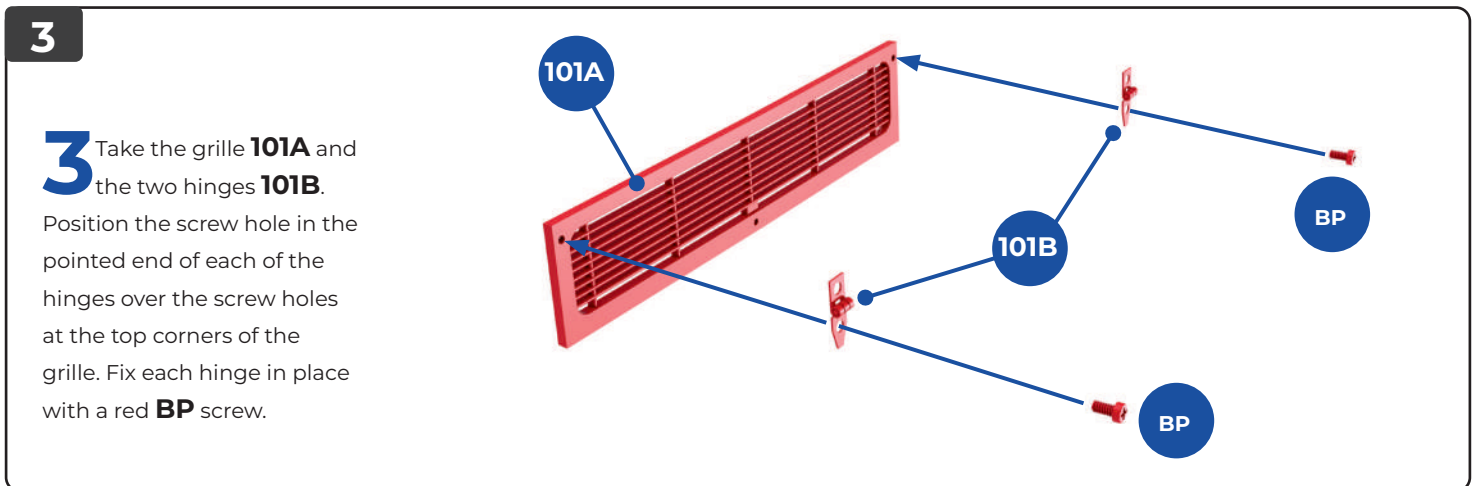
1 Position one of the rain shields **101C** above one of the upper deck front windows as shown. Fix in place with two **NM** screws on each side. The screws go into screw holes in the front frame **80F**.

2



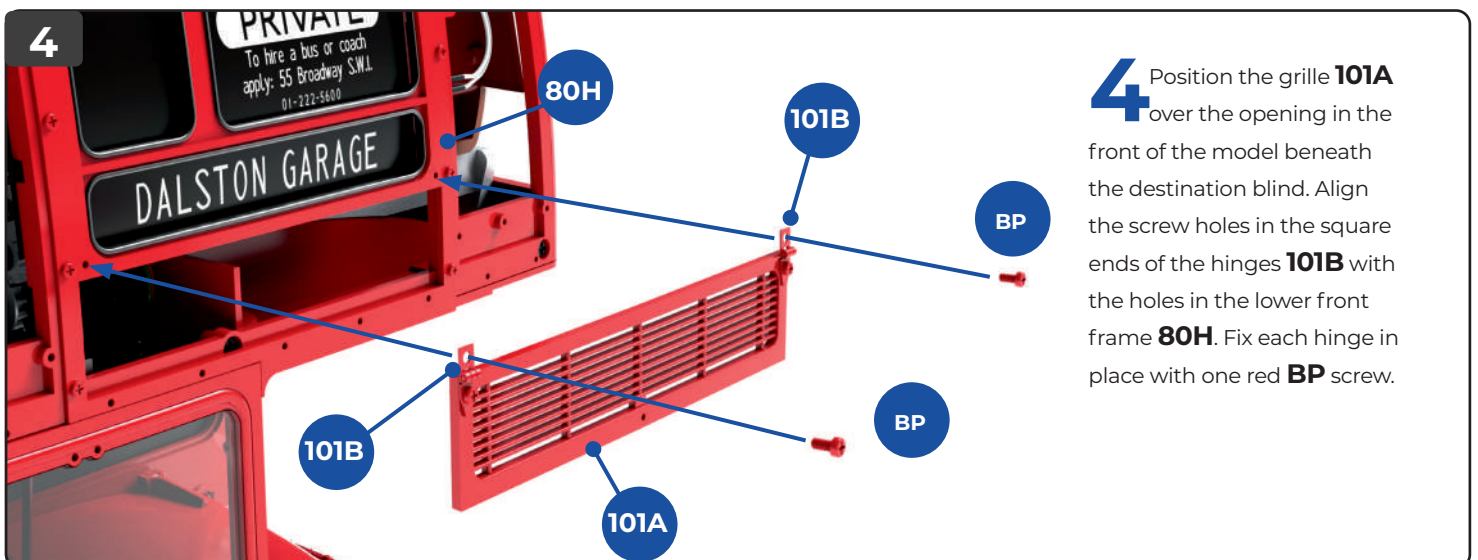
2 Position the second rain shield **101C** above the second upper deck front window as shown. Fix in place with four red **NM** screws, which go through into screw holes in the front frame **80F**.

3



3 Take the grille **101A** and the two hinges **101B**. Position the screw hole in the pointed end of each of the hinges over the screw holes at the top corners of the grille. Fix each hinge in place with a red **BP** screw.

4



4 Position the grille **101A** over the opening in the front of the model beneath the destination blind. Align the screw holes in the square ends of the hinges **101B** with the holes in the lower front frame **80H**. Fix each hinge in place with one red **BP** screw.

ROUTEMASTER BUS RM 857

Finished views



STAGE 102

ARRANGING THE WIRING AND FITTING THE REAR FRAMEWORK

The wiring at the rear of the model is arranged so that it is carefully secured and will not foul any of the final trims and panels. We also fit the rear framework.



KEY TO PARTS SUPPLIED

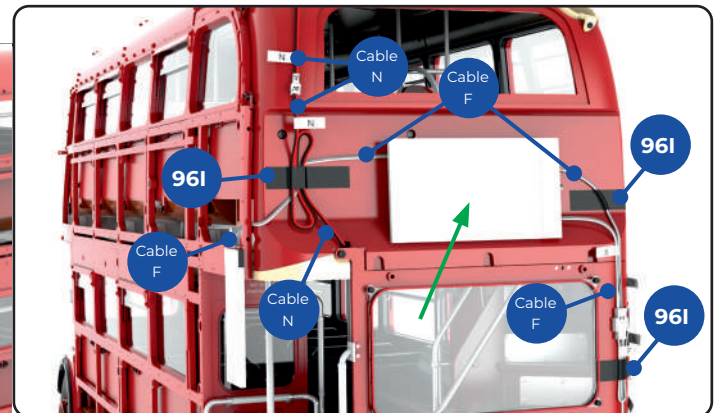
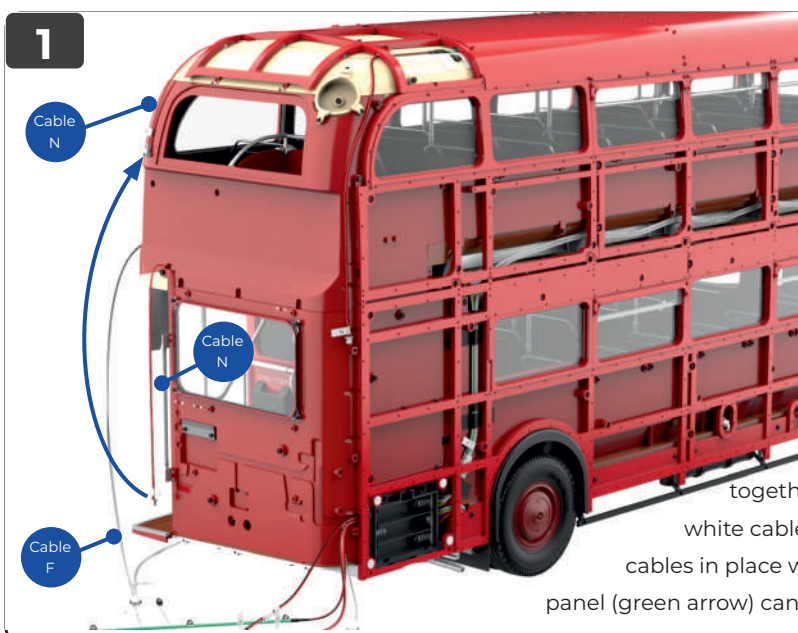
- 102A** Rear roof panel
- 102B** Side strip (marked A191)
- 102C** Side strip (marked A191M)
- 102D** Rear strip (marked A198)
- 102E** (Not shown) Extender cable N: this replaces the extender cable **89B**, which is no longer needed

NM 1.5 x 3mm (x46, red)

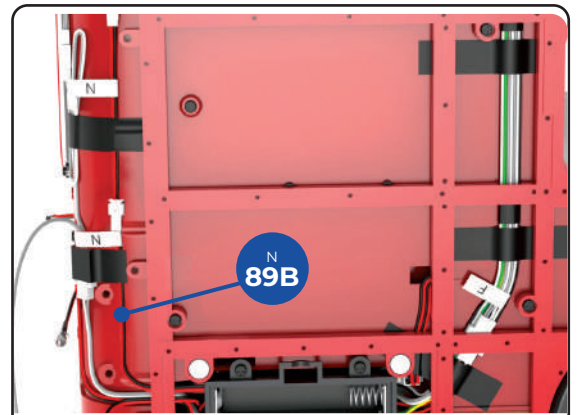
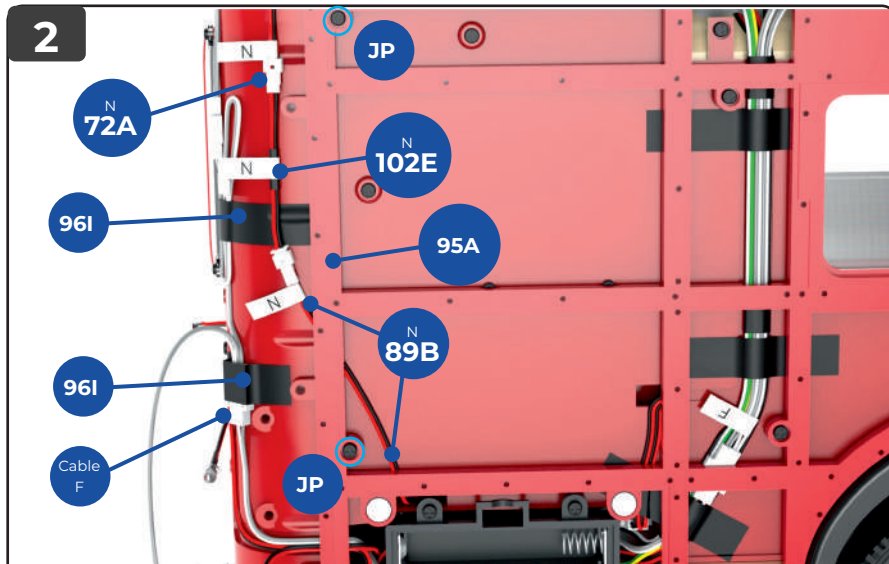
You will need **FM**, **WM** and **JP** screws, and tape **96I**, supplied with stage 96.

✓ Most of the parts supplied with this stage will be used in stage 103.

✓ In the next few steps, the cables are taped in place. You may find they are in slightly different positions, depending on how they have been fitted.

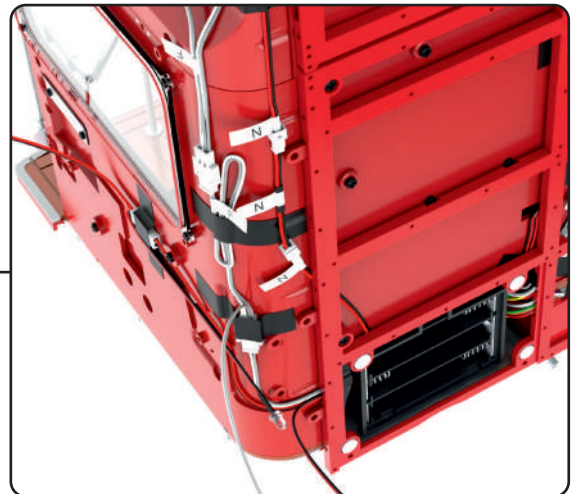


1 Identify the two ends of the red and black cable N (**72A**) at the rear left and connect them together, as indicated by the blue arrow. Take the grey and white cable F (**71E**) across the back of the model and secure the cables in place with three pieces of tape **96I** (inset). The larger LED panel (green arrow) can be temporarily secured in place with low-tack tape.

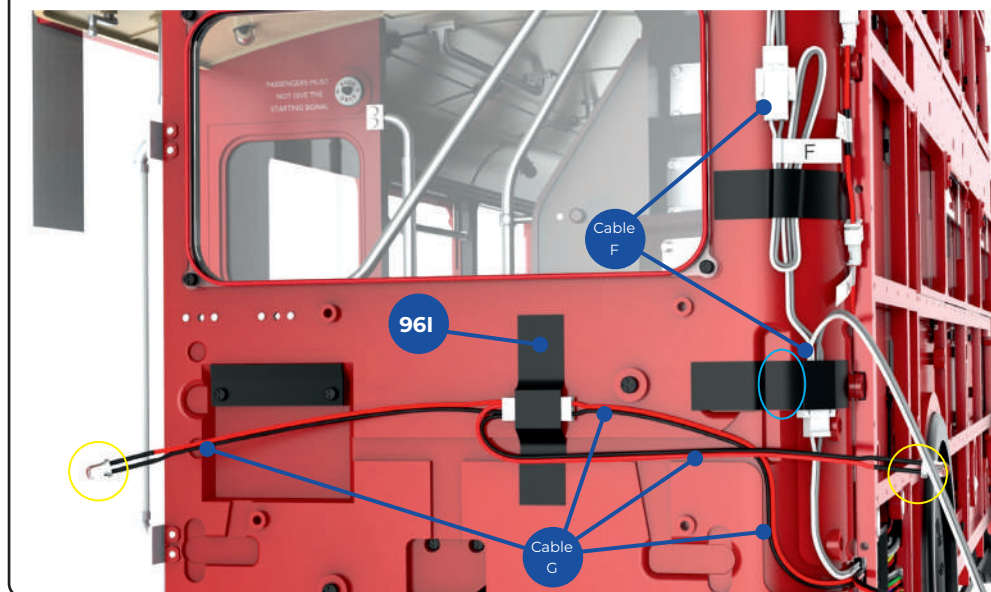


NOTE: We have included an updated cable with this stage to save undoing the **JP** screws and re-routing the cable **N** as described in step 2. The revised extender cable **102E** has been supplied to replace extender cable **89B**. This should be connected between cables **N 56C** and **N 72A** and taped in place vertically alongside the frame.

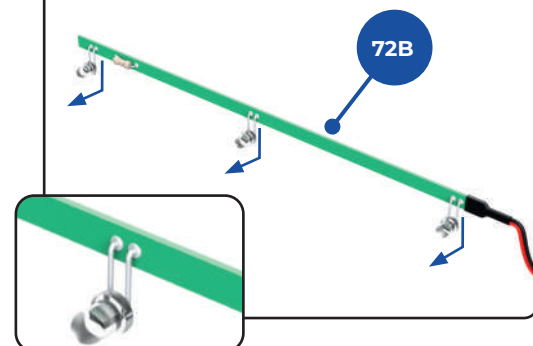
2 At the rear right of the model, temporarily undo two **JP** screws (circled in light blue). Ease red and black cable **N (56C)** behind the framework **95A** so that it runs straight from the battery box, as shown. The tape holding the cable behind the framework may need to be lifted. Connect red and black extender cable **N 89B** between cable **N 72A** and cable **N 56C**. Replace the two **JP** screws. Use two more pieces of tape **96I** to hold the grey and white cable **F (71E)** in place. The inset (above right) shows an alternative view..

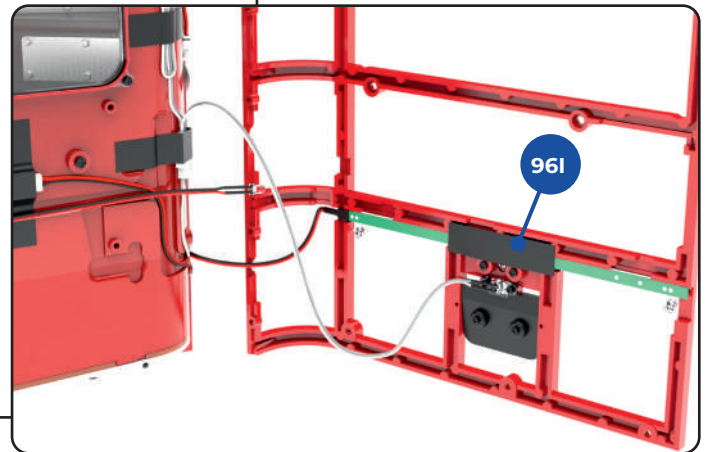
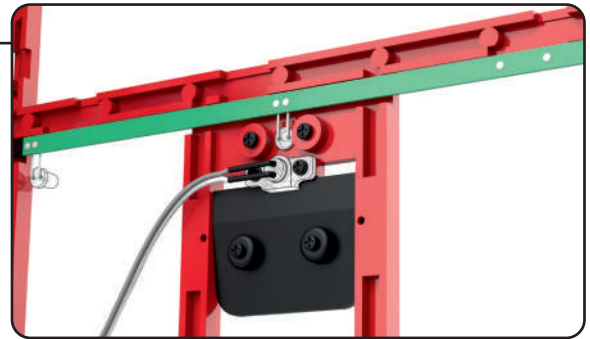
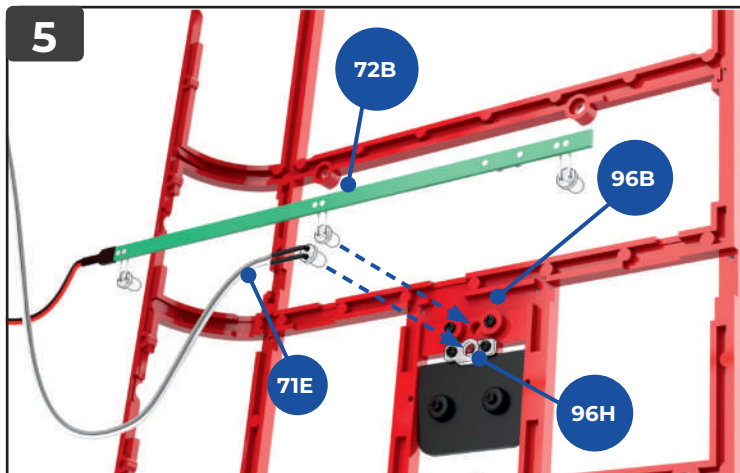


3 Bring the red and black cable **G (72C)** across the rear of the model. Fix the cable joint in place with a piece of tape **96I** as shown, so that the two LED indicators (circled in yellow) run to either side of the bus. Note from this angle that where cable **F (71E)** is taped in place there is a recess to accommodate the indicator housing (circled in light blue).

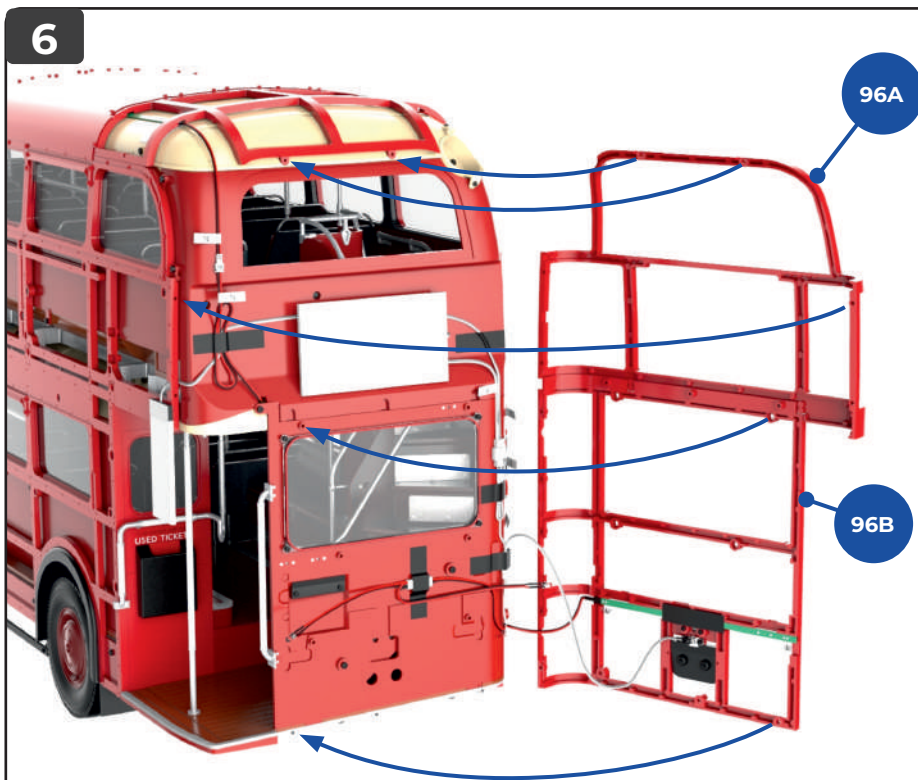


4 Take cable **O 72B** and turn the LEDs so that they are at right angles to the green strip, as indicated by the arrows.

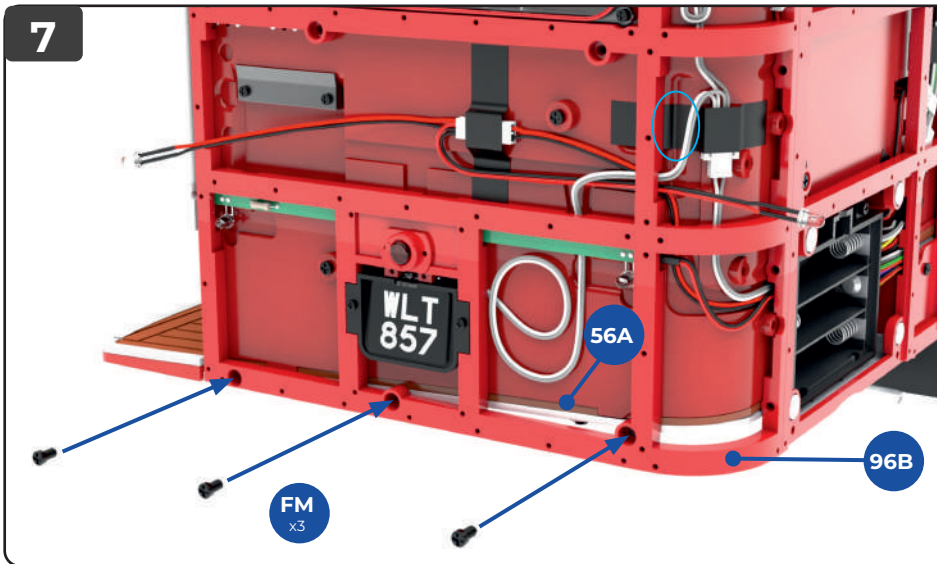




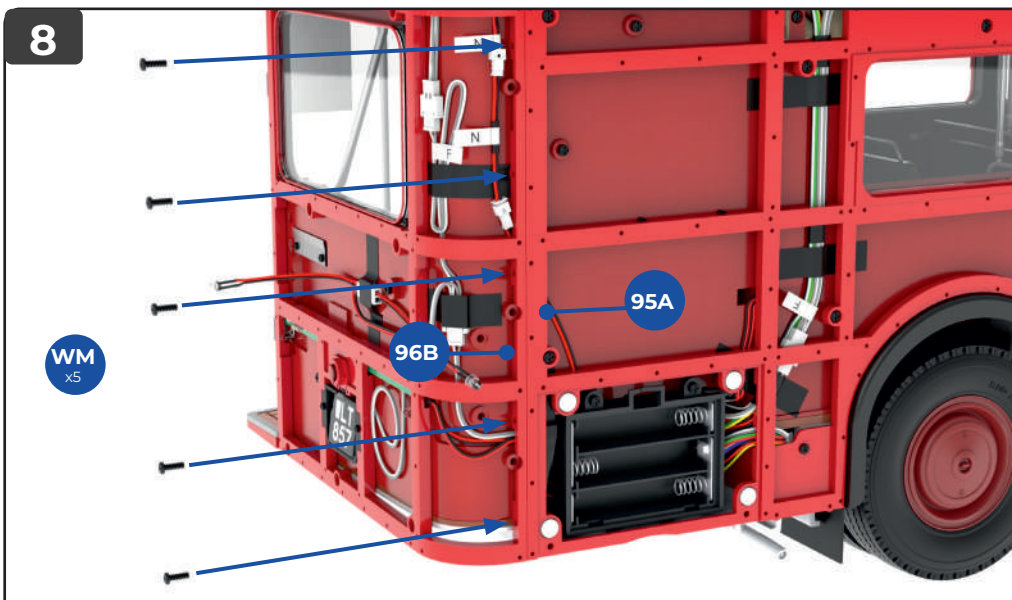
5 Position the rear frame **96B** near the back of the model. Fit the LED at the centre of the green strip **72B** into the socket in the rear frame **96B**. Bring the LED on the end of cable **F 71E** to the frame and fit it into the socket in the bracket **96H**. The inset (top) shows the lamps in place. Fix the green strip **72B** in place with a piece of tape **96I** (inset, right).



6 After carefully checking the cables, the next step is to fit the rear frame **96A/96B** to the back of the model assembly. Ensure that the screw holes are aligned, as indicated by the arrows, and take care to avoid trapping any of the cables behind the struts of the frame. The inset (right) shows the rear frame in place. Note that the right indicator cable **72C** fits under the frame (circled in light blue).



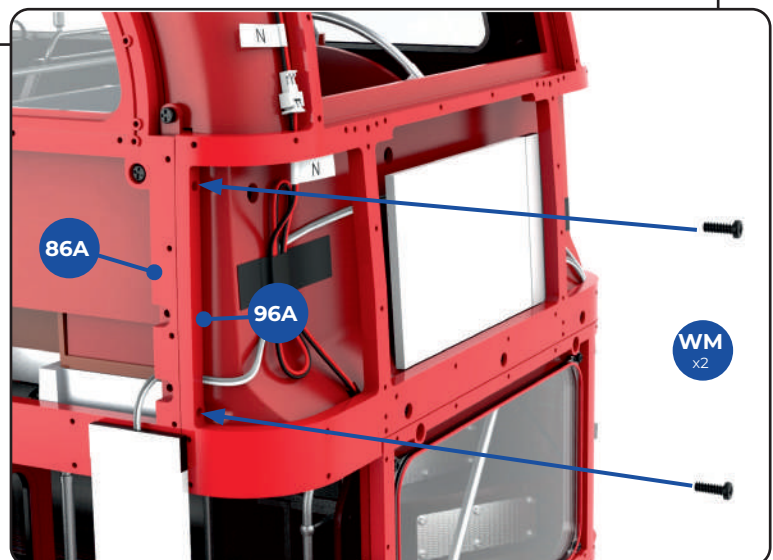
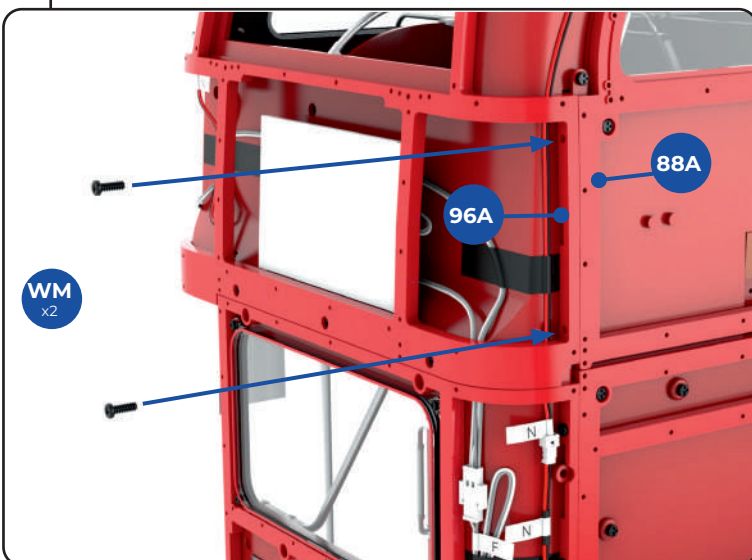
7 The rear framework is fixed in place with **FM** and **WM** screws. Starting at the lower edge, fix the frame **96B** to the rear platform **56A** with three **FM** screws. Note that there is still a recess for the indicator housing (circled in light blue).

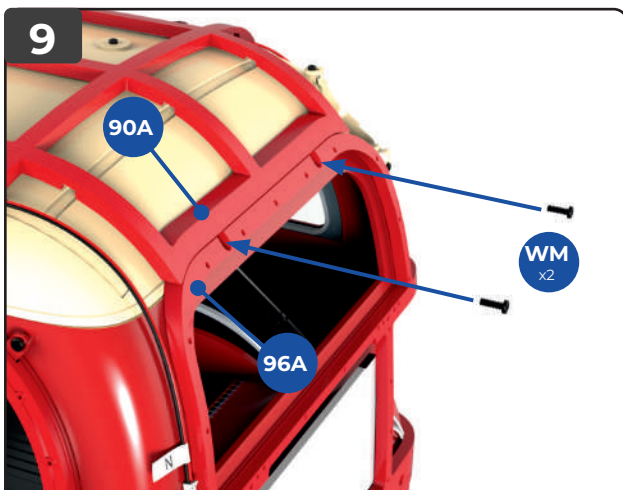


8 At the rear right corner, fix the side of the rear frame **96B** to the right wall frame **95A** using five **WM** screws.

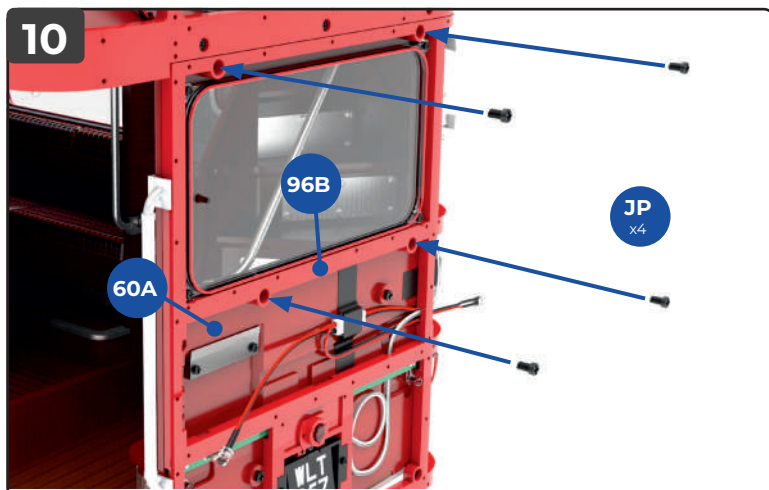
Continuing upwards, use two **WM** screws to fix the side of the rear frame **96A** to the right wall frame **88A** (inset below left).

At the rear left, fix the left side of the rear frame **96A** to the left wall frame **86A** with two **WM** screws (inset below).





9 Fix the top of the rear frame **96A** to the ceiling frame **90A** using two **WM** screws.



10 Ensure that the rear wall **60A** and frame **96B** are firmly against each other. Fix the central bar of the rear frame **96B** to the rear wall **60A** using four **JP** screws.



11 At the rear right lower corner, fix the right side wall **49C** to the rear wall **60A** using two **JP** screws. Use another **JP** screw to fix the right side wall **49C** to the rear wall **60A** near the extension cable **102E** (inset, above right). The **JP** screws used in this step do not pass through the metal frame.

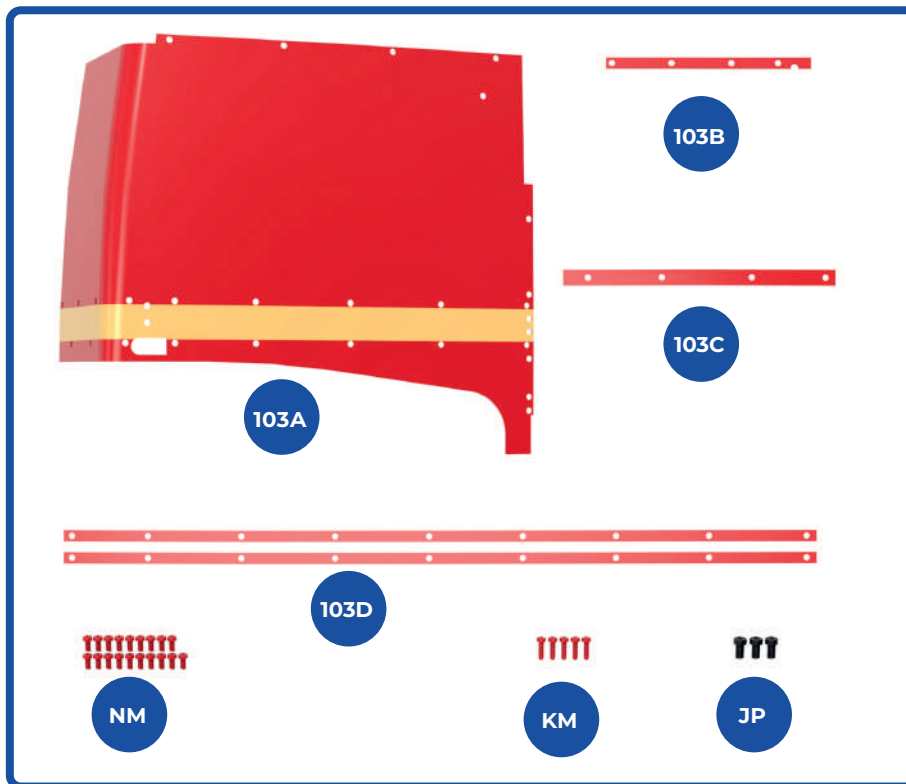
The illustration to the right shows the work completed so far.



STAGE 103

FITTING OUTER PANELS AND TRIMS

The roof panel supplied with the previous stage is fitted, together with trims at the joins. We also fit a corner panel and side trims.

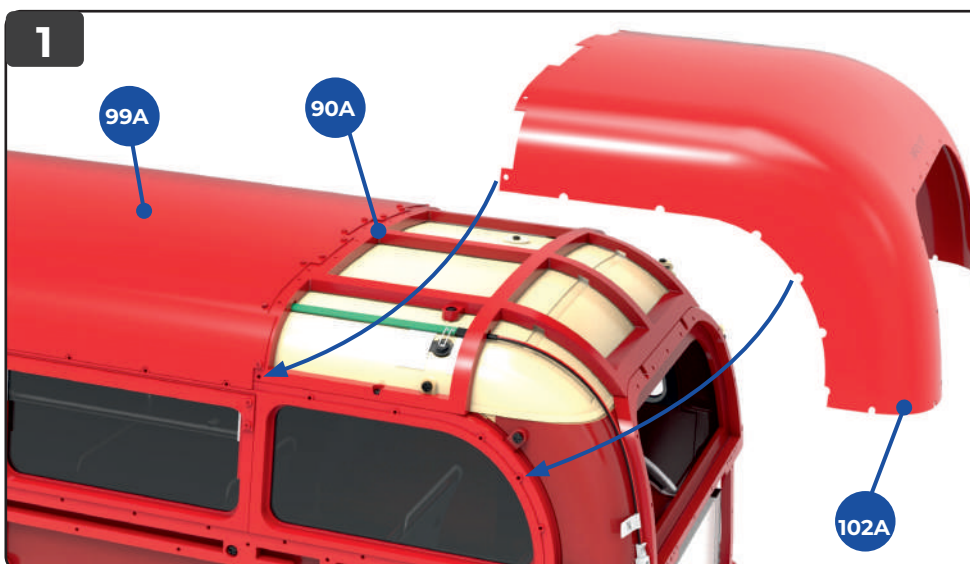


KEY TO PARTS SUPPLIED

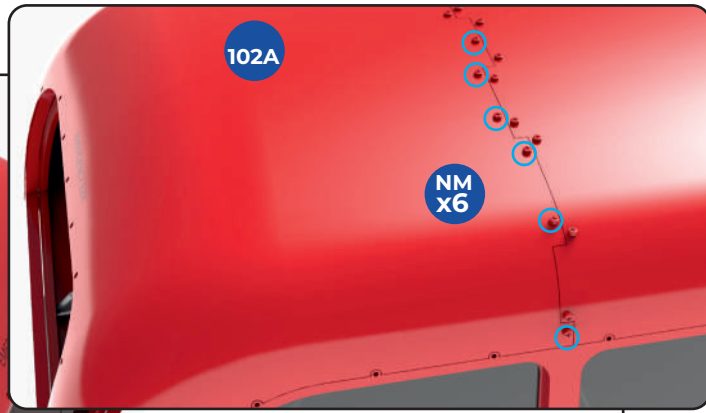
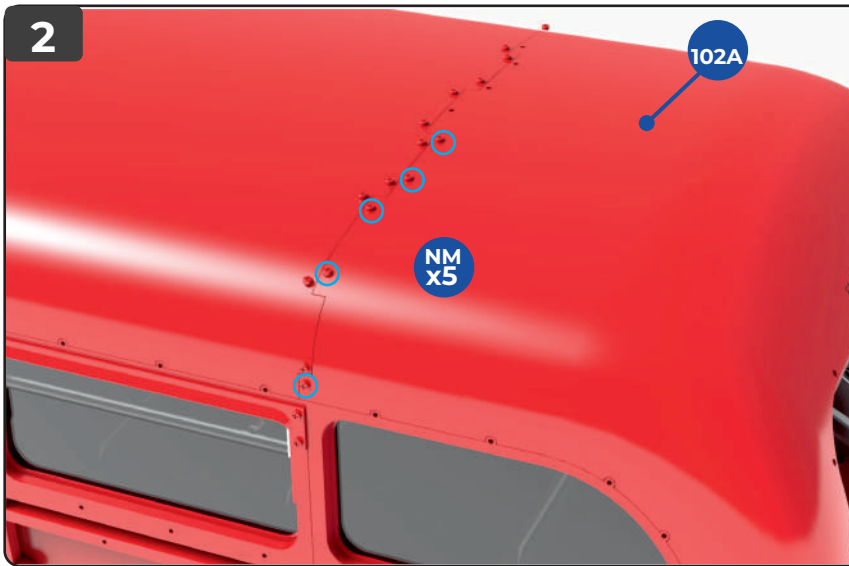
- 103A** Front left corner panel
- 103B** Front strip
- 103C** Front strip
- 103D** Side strips (x2)

- NM** 1.5 x 3mm (x19, red)
- KM** 1.5 x 5mm (x5, red)
- JP** 2.3 x 4mm (x3)

You will also need the parts and **NM** screws supplied with stage 102.



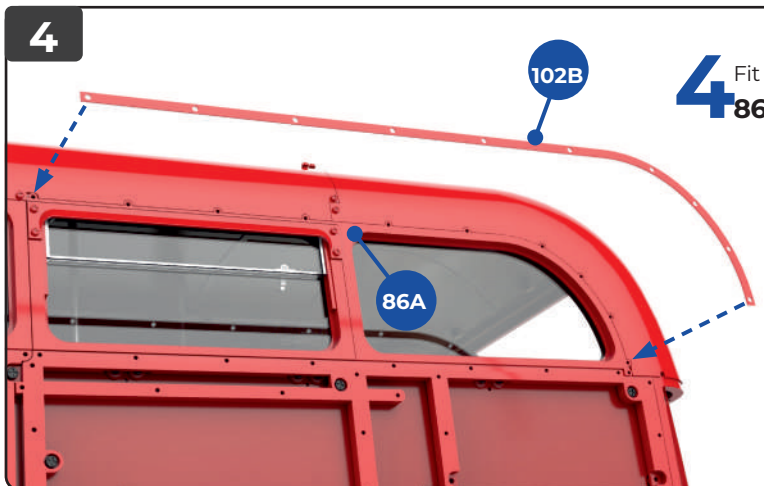
1 Take the rear roof panel **102A** and fit it over the ceiling frame **90A**. Check that the forward edge of the roof panel **102A** butts up to the ceiling panel **99A**. Screwholes and notches on the roof panel **102A** should align with corresponding features on the outside of the upper deck, as indicated by the arrows.



2 Fix the rear roof panel **102A** in place with a total of eleven **NM** screws (circled). Five are shown on the left side and six on the right side (inset above).

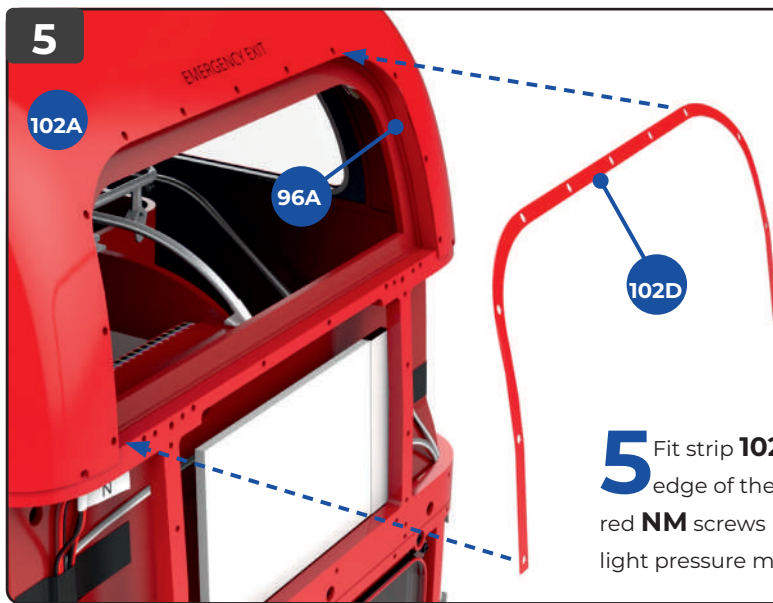


3 Position the side strip **102C** (marked A191M) above the upper deck windows, against the right wall framework **88A**. Fix in place with 10 red **NM** screws (inset below).

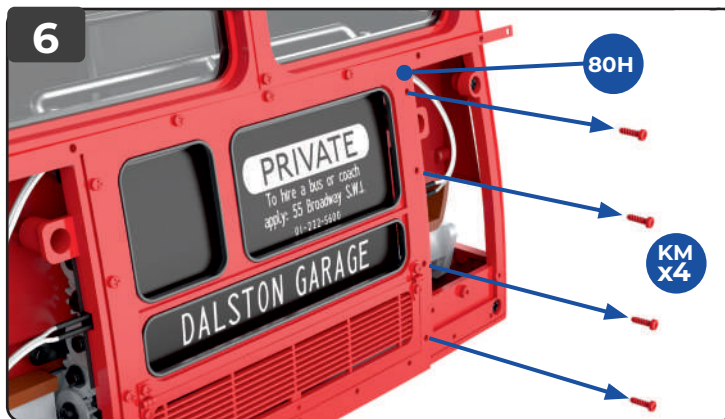


4 Fit the side strip **102B**, marked A191 against the left wall framework **86A**. Fix in place with ten red **NM** screws (inset below).

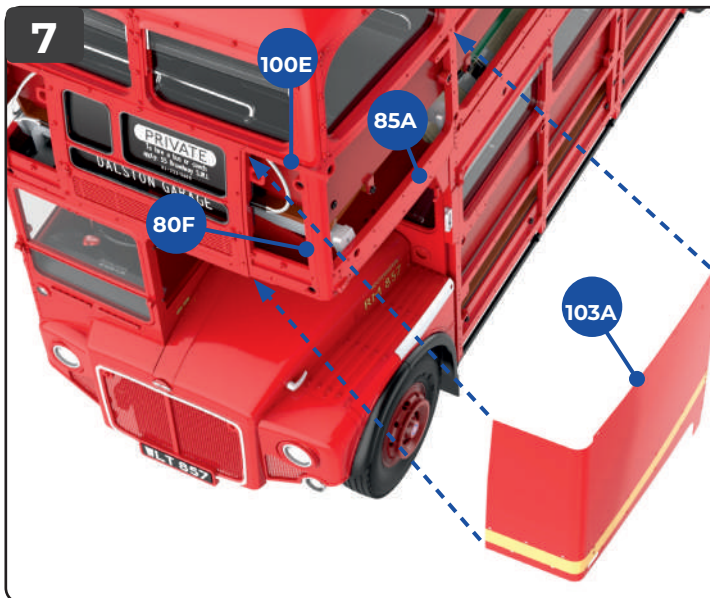
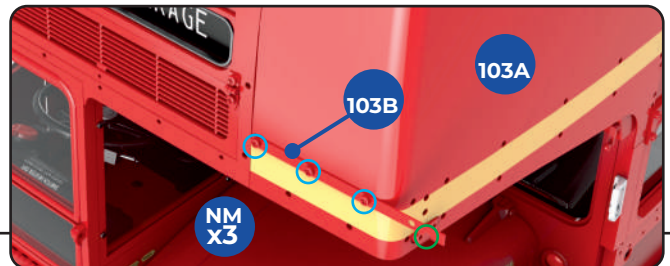




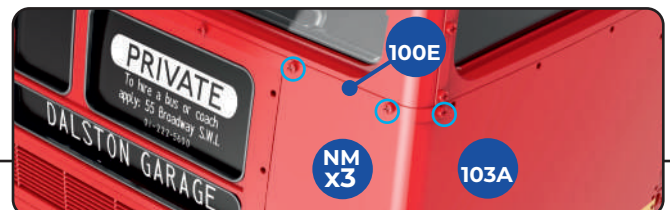
5 Fit strip **102D**, marked A198, around the top of the rear window, on the edge of the rear roof panel **102A**. Fix to rear frame **96A** using eleven red **NM** screws (inset above). To ensure the screws engage into the frame, light pressure may be needed on the roof part to hold it in position.



6 At the front of the bus, remove four red **KM** screws holding the front blind frame **80H** in place (down one side of the destination blind, as shown).

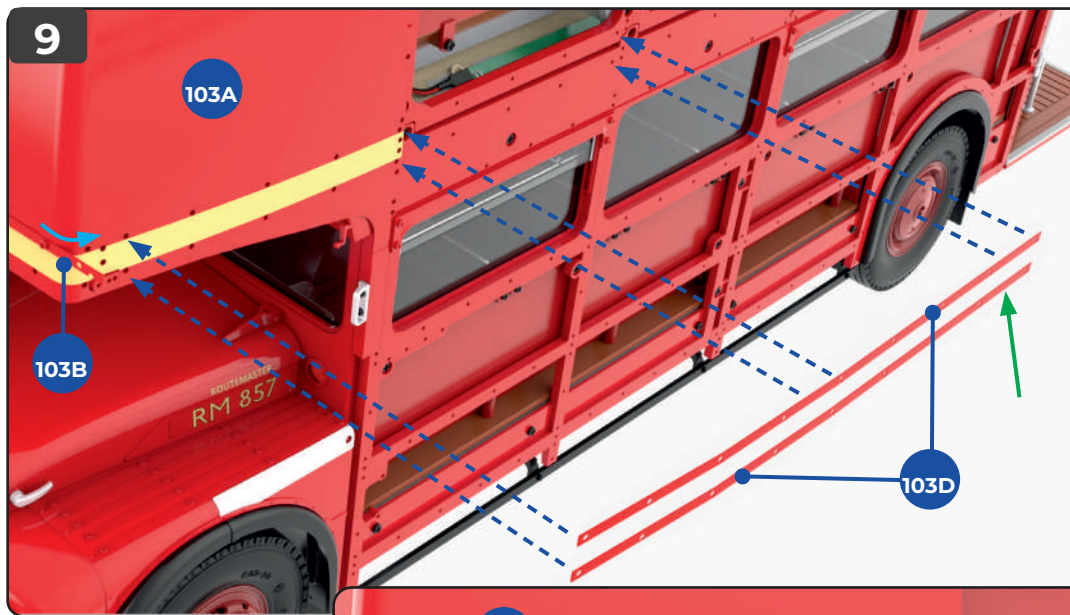


7 Fit the front left corner panel **103A** against the left wall framework **85A** and the front frame **80F**. Take the front strip **103B** and position it above the cream band. Note that there is a notch at the outer end (circled in green, above). Fix in place with three **NM** screws (above). Do not bend the strip at this point. The upper edge of the panel **103A** goes under the free end of strip **100E**. Study the lower inset and use three **NM** screws to fix strip **100E** to the front left corner panel **103A**, wrapping the end of the strip around the corner of the model (below).





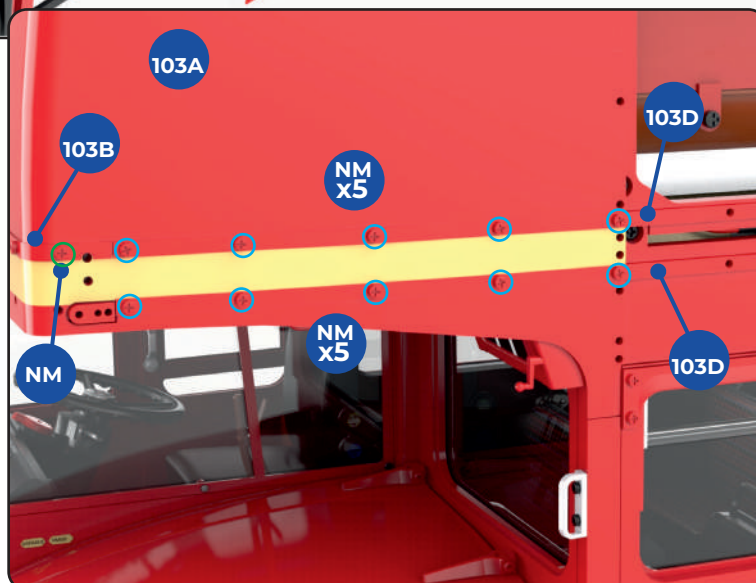
8 Position strip **103C** down the side of the destination blind, just overlapping the edge of the front corner panel **103A**. The strip is not symmetrical, so ensure that you have it the right way round. Fix the strip to the front blind frame **80H** with four red **KM** screws (circled).



9 The two side strips **103D** are fitted next. Fix them one at a time. Note that there is a wider gap between the screwholes towards the rear of the model (green arrow).

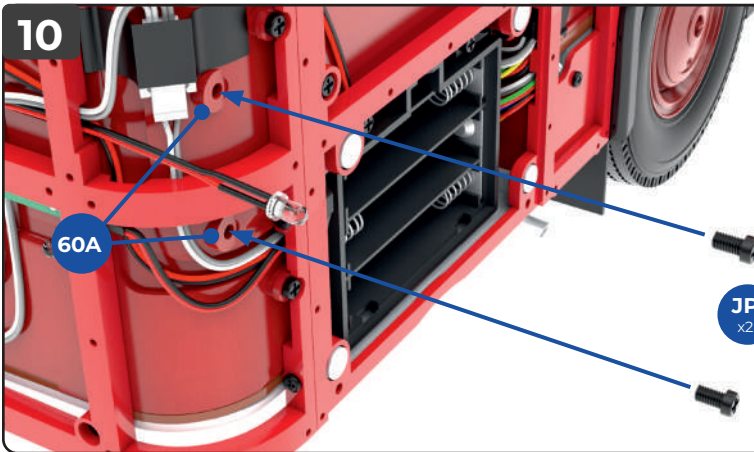
Position the first strip **103D** along the upper edge of the cream band. Use five red **NM** screws to fix the strip in place (circled in blue, below). As indicated by the arrow (left), bend the front strip **103B** over the corner panel **103A** so that it butts up against strip **103D**. Fix in place with one **NM** screw (circled in green, inset).

Position the second strip **103D** along the lower edge of the cream band and fix in place with five red **NM** screws.



The two side strips **103D** should only be fixed at the front at this stage. Further panels need to be fitted along the side of the model before the strips can be fixed completely.

To prevent damage, you may find it helpful to use some low tack tape to hold the strips in place.



10 Fit two **JP** screws to platform rear wall **60A**, fixing it securely to **57D** staircase structure

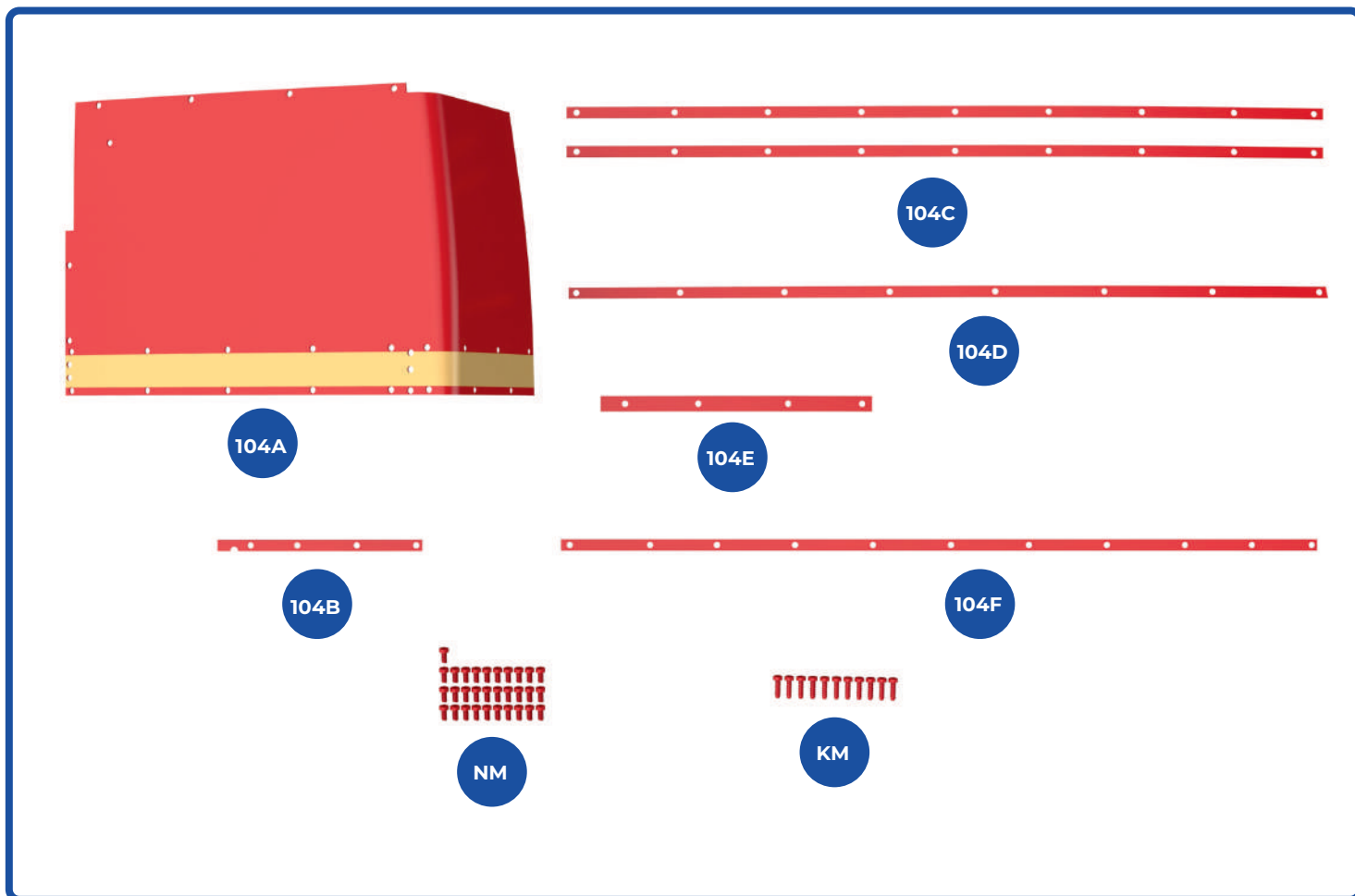
Finished view



STAGE 104

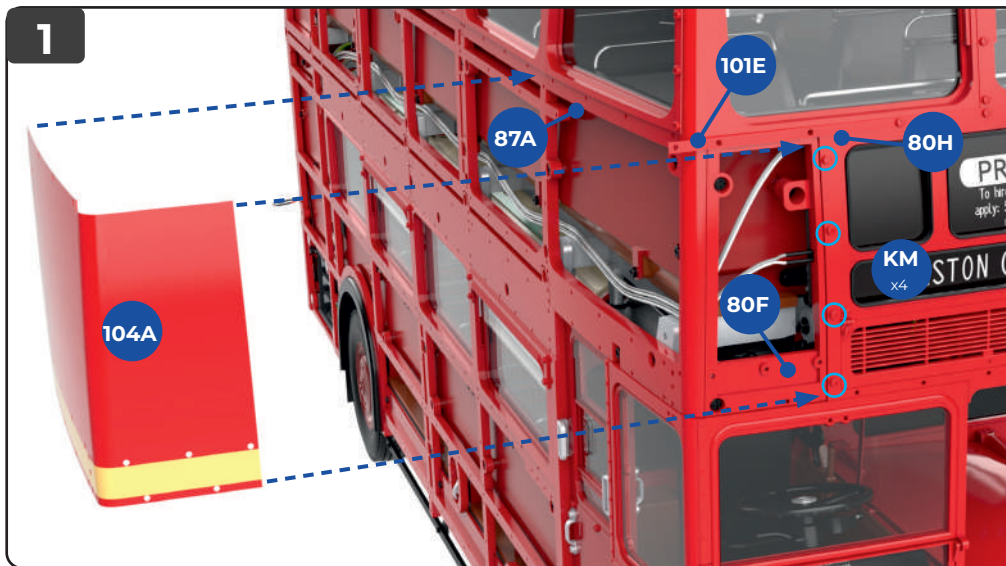
FITTING FRONT OFFSIDE CORNER PANEL AND TRIMS

The offside front corner panel is supplied and fitted. Trim strips are fitted around the front and offside of the model.



KEY TO PARTS SUPPLIED

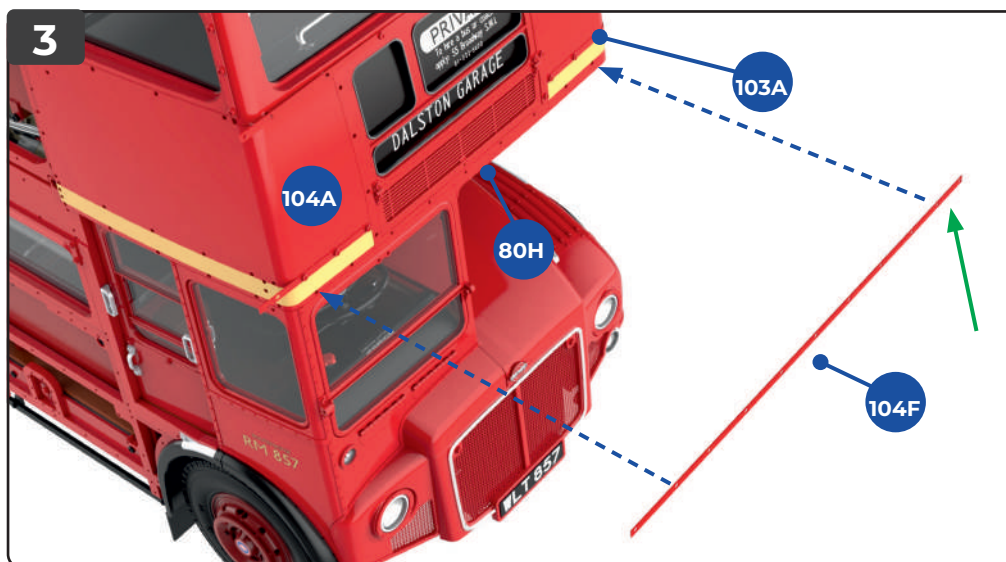
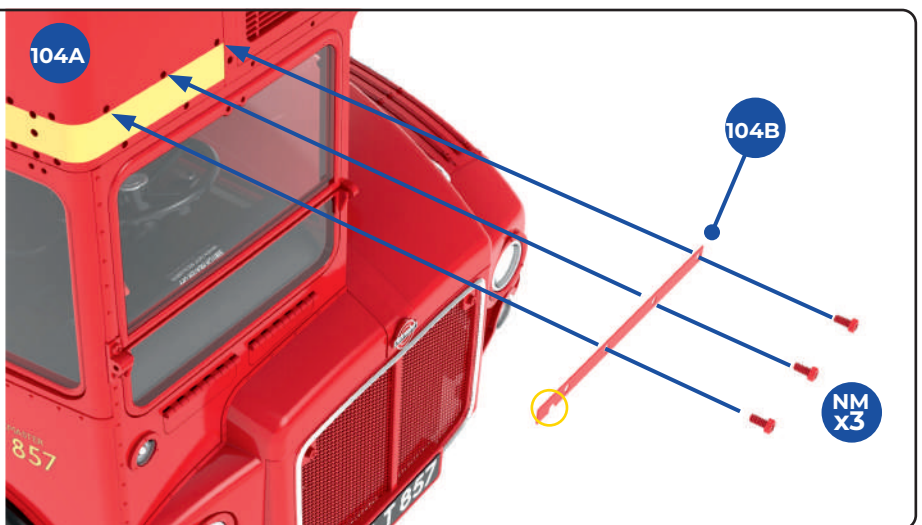
- | | |
|--------------------------------------|--------------------------------|
| 104A Front right corner panel | 104E Front strip B114M |
| 104B Front strip A187M | 104F Front strip A183 |
| 104C Side strip A182M (x2) | NM 1.5 x 3mm (x31, red) |
| 104D Side strip A188M | KM 1.5 x 5mm (x11, red) |



1 Remove four red **KM** screws from the front lower frame **80H** down the side of the destination blind (circled in light blue). Put the screws on one side to re-use in step 6.

Fit the front right corner panel **104A** to the right wall framework **87A** and the front frame **80F** (below strip **101E**).

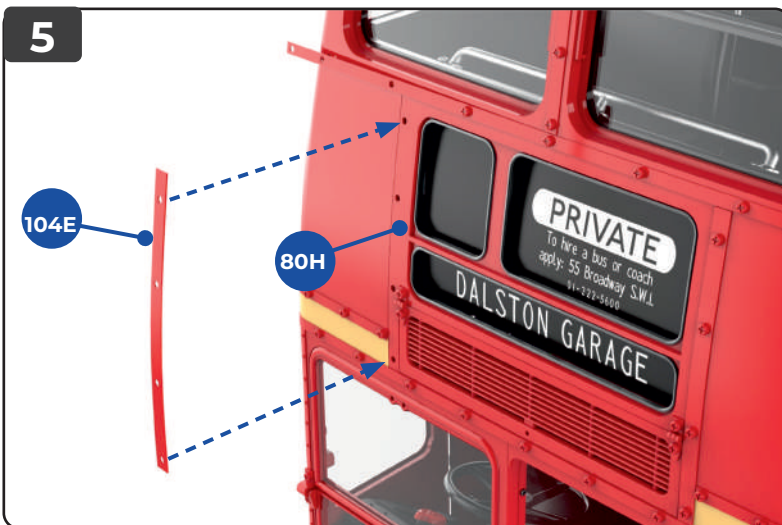
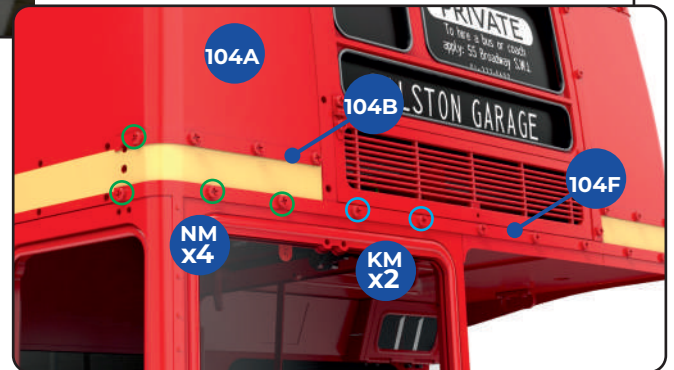
2 Fit the front strip **104B** (marked A187M) along the top of the cream strip on part **104A**. Note that there is a notch on the outer end of part **104B** (circled in yellow). Fix in place with 3 red **NM** screws.



3 Fit the front strip **104F** (marked A183) across the front of the model so that screw holes are aligned with holes in the front corner panels **103A** and **104A** and with holes in the lower front frame **80H**. Note that the part is not symmetrical: there is a smaller gap between the holes on the nearside end of the strip (green arrow).



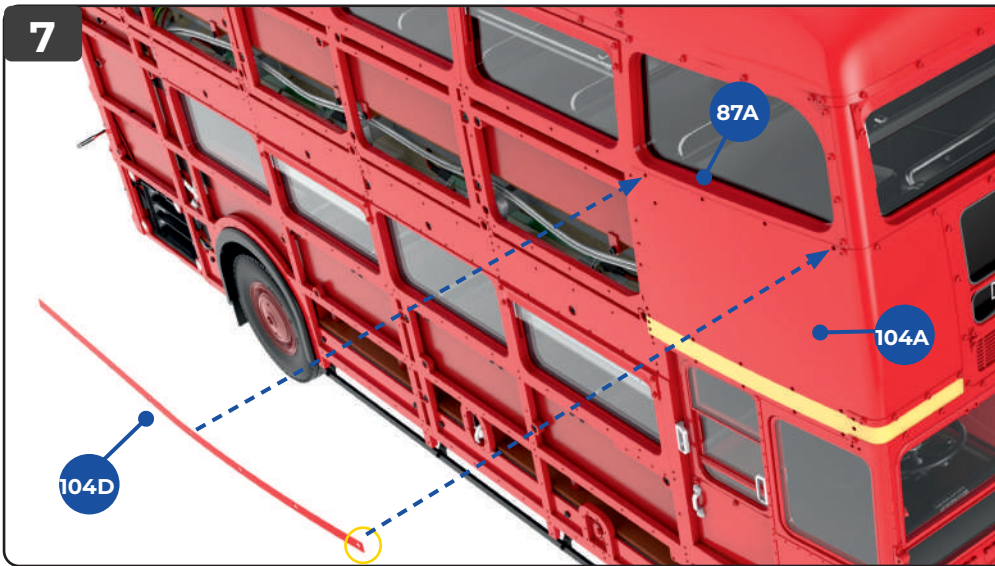
4 Fix the strip **104F** in place using red screws as follows. Start at the front nearside corner. Fix in place below the cream band with three **NM** screws (circled in green), wrapping the end of the strip around towards the end of side strip **103D**. Continue across the front of the model, using a total of five **KM** screws (circled in blue, left and below). Use a further three **NM** screws below the cream band on part **104A**, wrapping the end of the strip around the corner. Finally, wrap the top of strip **104B** around the front corner and fix with another **NM** screw (circled in green, below).



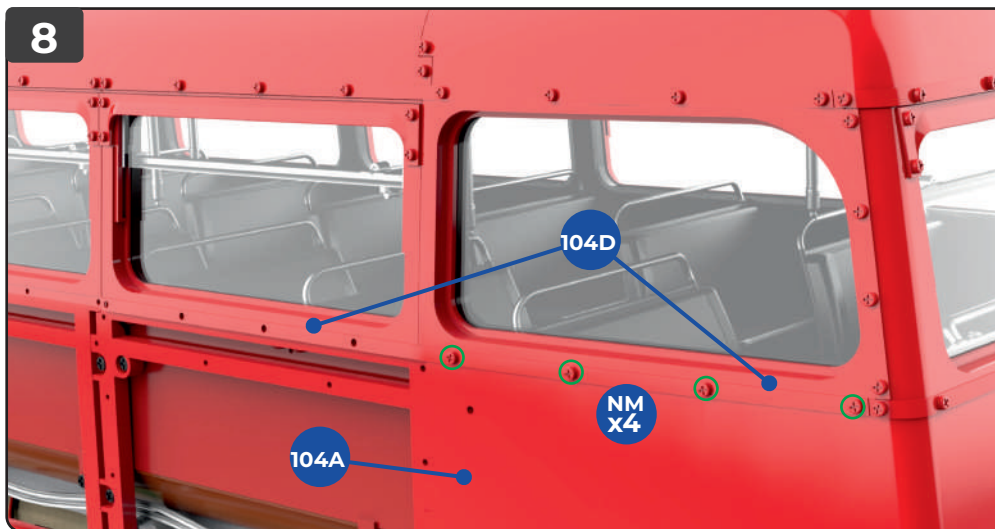
5 Fit strip **104E** (marked B114M) down the side of the destination blind so that screw holes in the strip align with holes in the lower front frame **80H**.



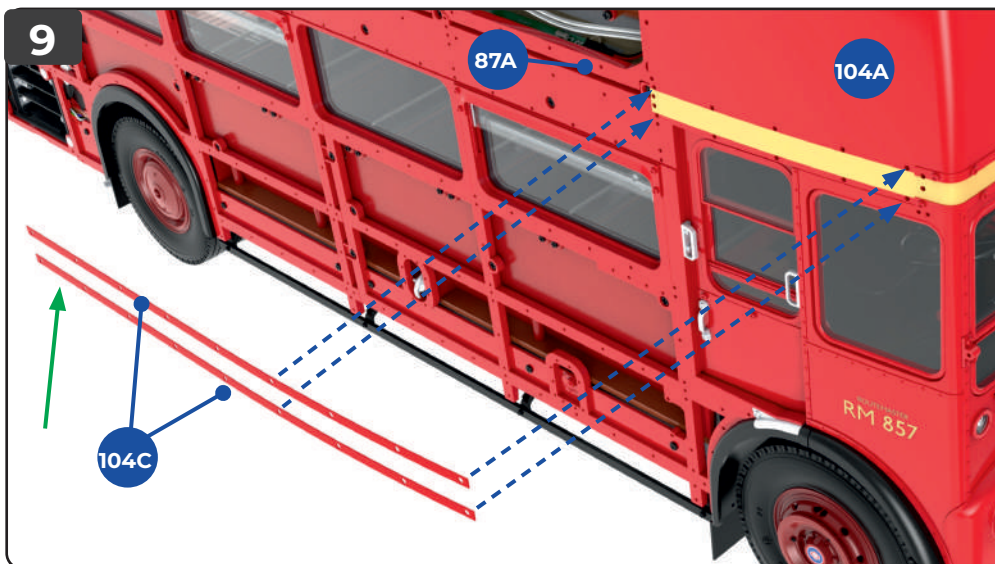
6 Fit the strip **104E** in place using the four **KM** screws removed in step 1 (circled in light blue). At the top of the corner panel **104A** fix the front strip **100E** in place, with three **NM** screws (circled in green), wrapping the end around the corner.



7 Position strip **104D** (marked A188M) along the side of the upper deck, beneath the windows, so that the screw holes in the strip are aligned with screw holes in the corner panel **104A** and the frame **87A**. Note that the front end of the strip is slightly angled (circled in yellow).

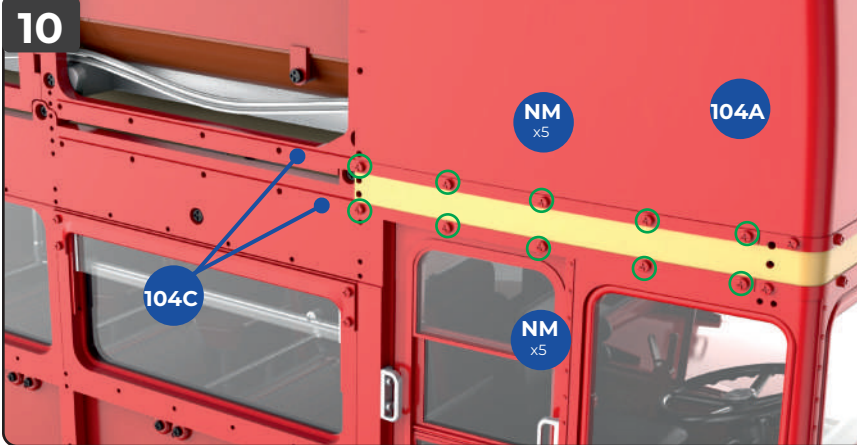


8 Fix strip **104D** in place with four **NM** screws (circled in green). The rest of the strip is not fixed at this stage, so you may want to hold it in place temporarily with low-tack tape.



9 The two side strips **104C** are fitted next. Fix them one at a time. Note that there is a wider gap between the screwholes towards the rear of the model (green arrow).

The first strip **104C** is positioned along the upper edge of the cream band on part **104A**, and the second strip runs along the lower edge of the cream band.



10 Use five red **NM** screws (circled in green) to fix each of the strips in place. The full length of the strip is not fixed at this stage, so you may want to hold it in place temporarily with low-tack tape.

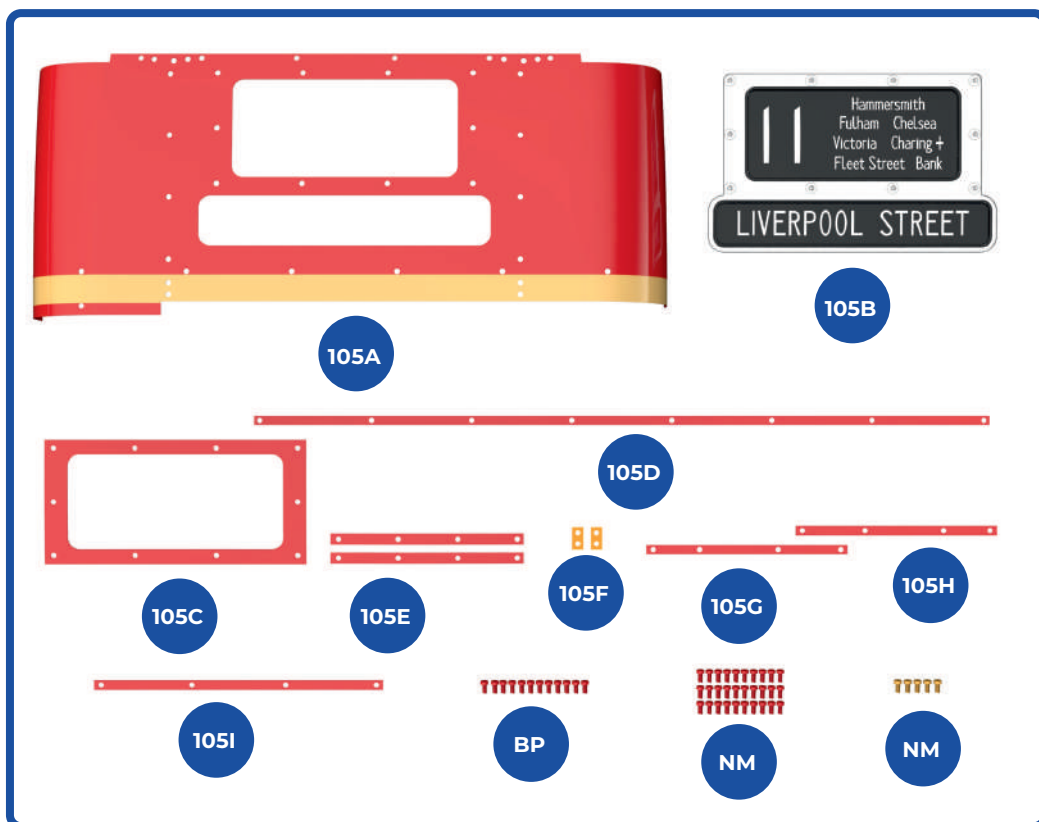
Finished view



STAGE 105

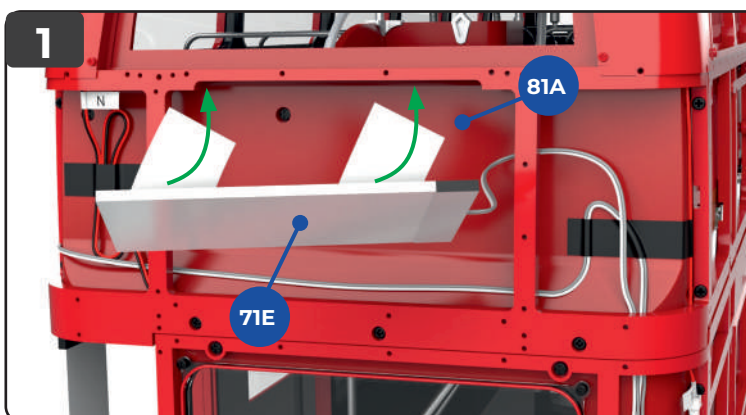
FITTING THE REAR UPPER DECK PANEL AND DESTINATION BLIND

Working on the back of the model, we fit the destination blind and the rear upper deck panel.

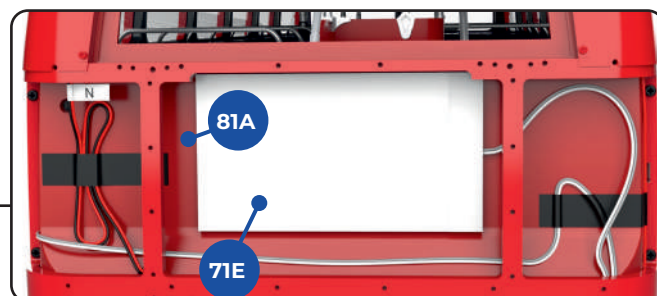


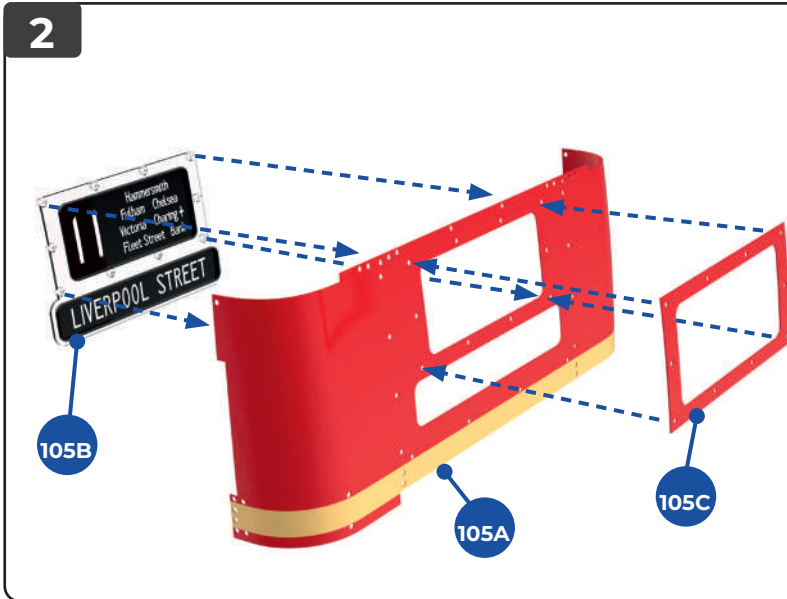
KEY TO PARTS SUPPLIED

- 105A** Rear panel
- 105B** Rear destination blind
- 105C** Frame
- 105D** Rear strip
(marked A194)
- 105E** Rear strip x 2
(marked A197)
- 105F** Cream strip x 2
(marked A167B)
- 105G** Left corner strip
(marked A195)
- 105H** Right corner strip
(marked A195M)
- 105I** Rear strip
(marked A196)
- BP** 1.5 x 3mm (x12, red)
- NM** 1,5 x 3mm (x30, red)
- NM** 1.5 x 3mm (x5, cream)

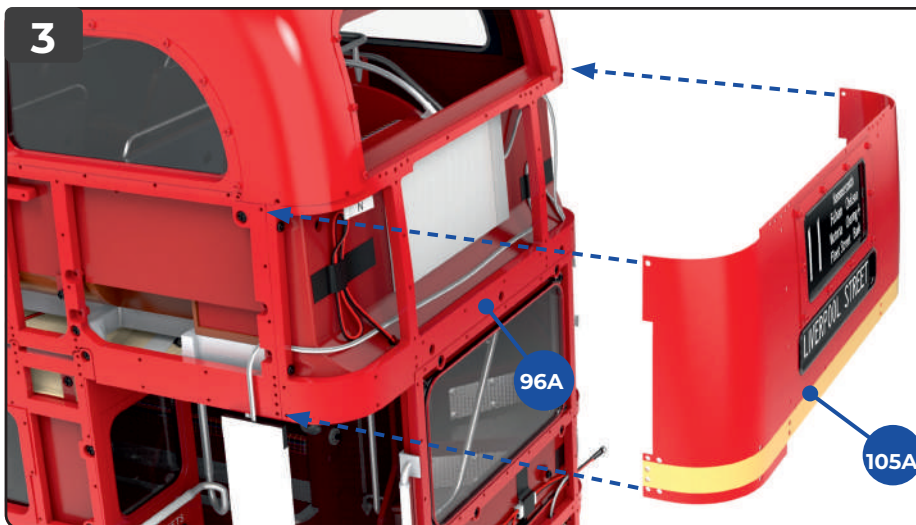


1 Remove the protective paper from the tape on the back of the the LED panel **71E** (green arrows) so that you can fix it in place on the back wall **81A**. **NOTE:** you may need to adjust the position of the cables and the tape holding the cables.

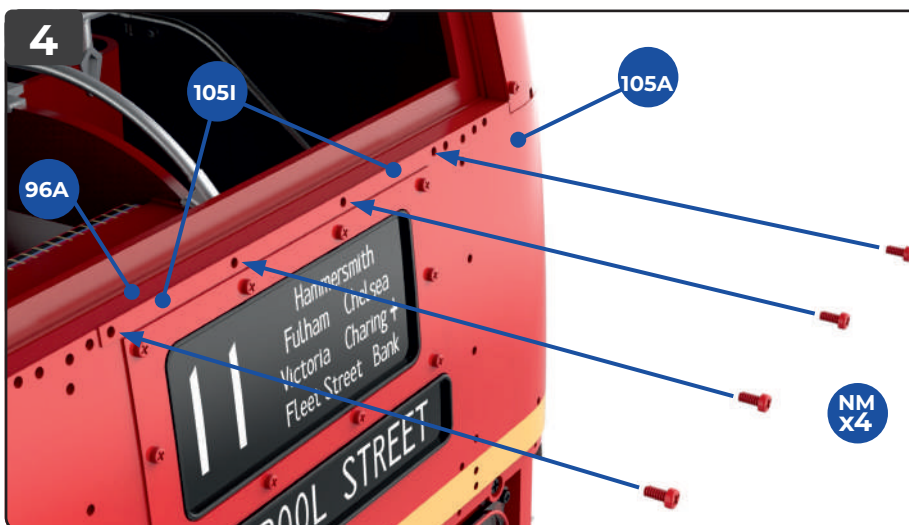




2 Take the rear panel (with a cut out for destination blind) **105A**, the rear destination blind **105B** and the frame for the rear destination blind **105C**. Sandwich them together as shown, so that the screw holes are aligned. Fix the three parts together from the front using 10 red **BP** screws, one in each of the holes in part **105C** (circled, above).



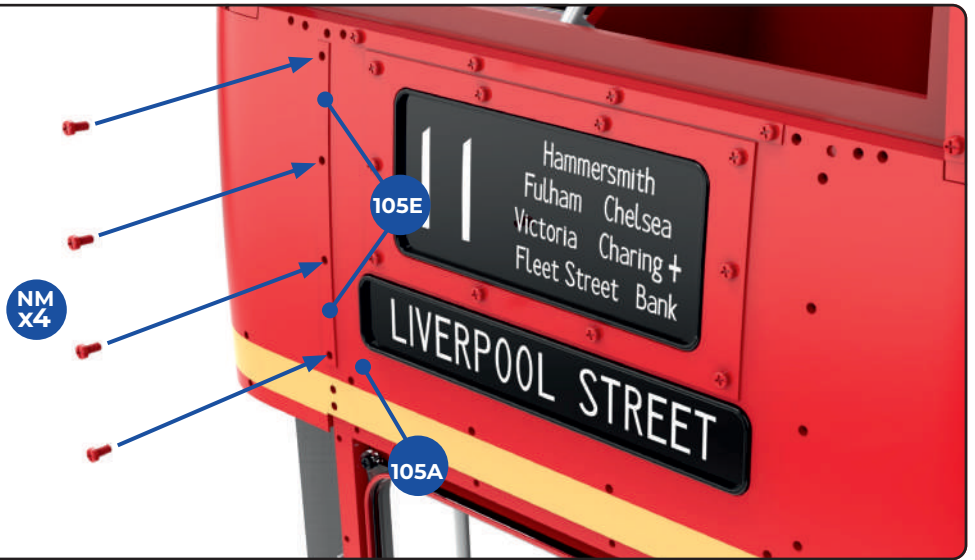
3 Position the assembly of parts **105A**, **105B** and **105C** on the rear of the model, against the rear frame **96A**, so that screw holes are aligned as indicated by the arrows.



4 Position the rear strip **105I**, (marked A196) along the top of the rear panel **105A**, holding it against the frame **96A**. Fix in place with four red **NM** screws.

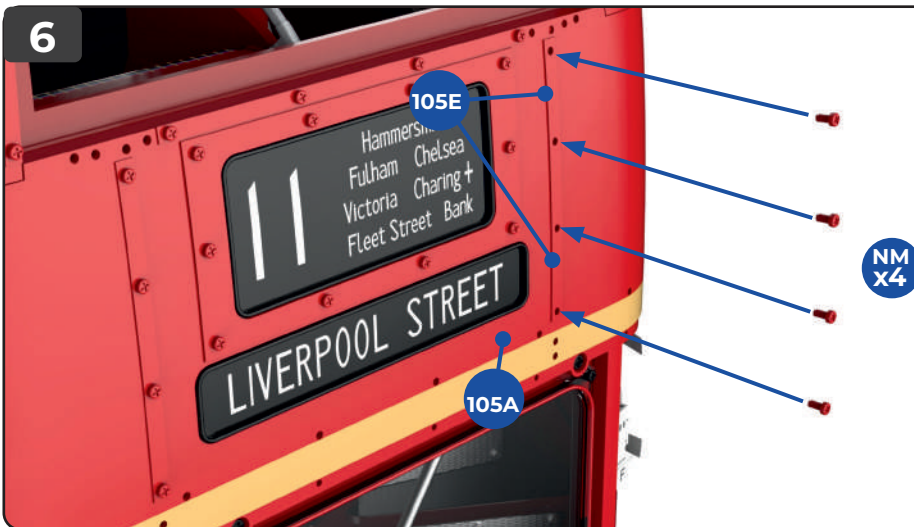
5

5 Position the first rear strip **105E** (marked A197) down the rear panel **105A**, to the left of the destination blind, so that screw holes are aligned, as shown. Fix in place with four red **NM** screws.



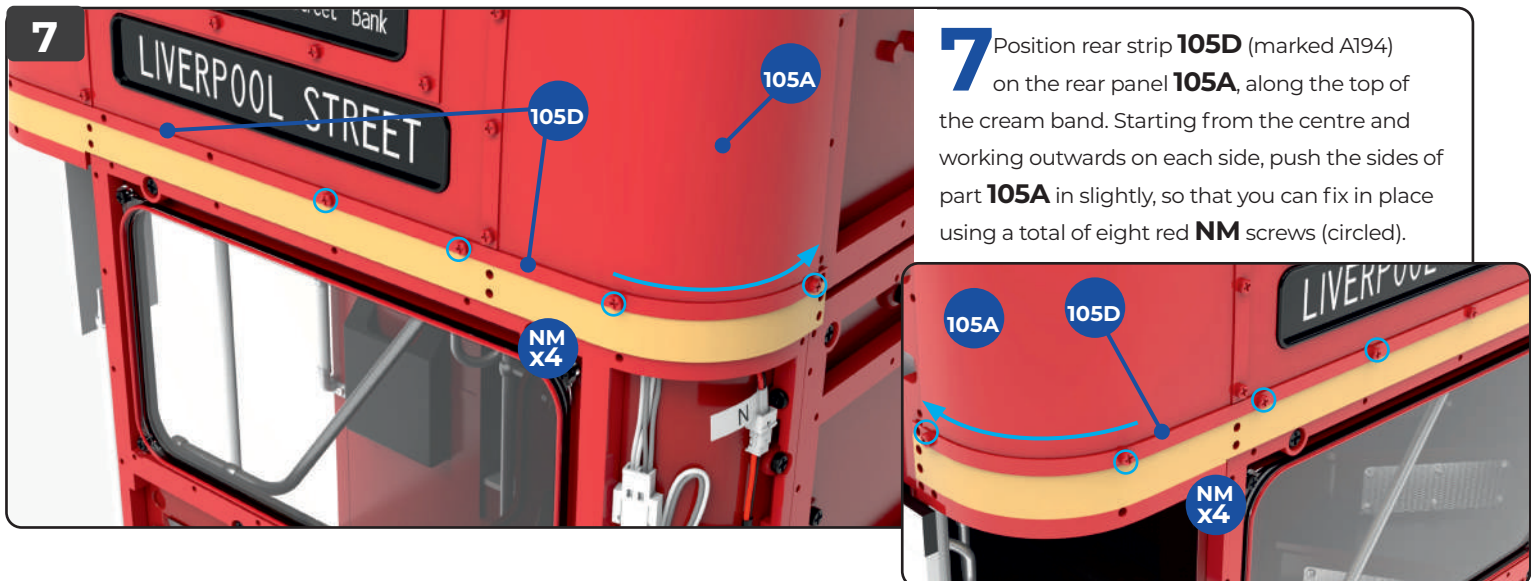
6

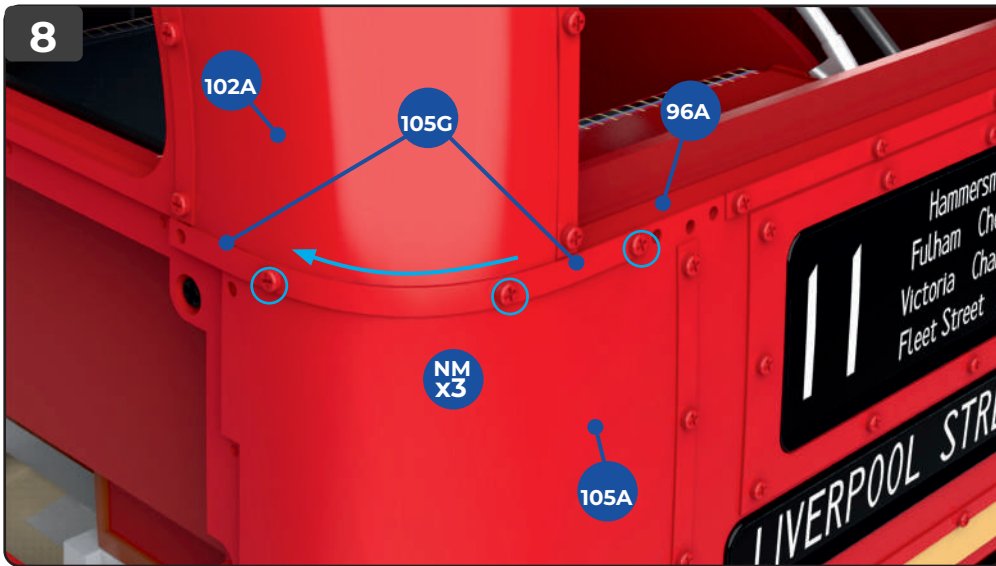
6 Fit the second rear strip **105E** (marked A197) down the rear panel **105A** on the other side of the destination blind and fix in place with four red **NM** screws



7

7 Position rear strip **105D** (marked A194) on the rear panel **105A**, along the top of the cream band. Starting from the centre and working outwards on each side, push the sides of part **105A** in slightly, so that you can fix in place using a total of eight red **NM** screws (circled).





8 Position the left corner strip **105G** (marked A195) around the left-hand corner of the upper deck, below the rear roof panel **102A**, along the edge of the rear panel **105A**. Note that the holes are more closely spaced at the end of the strip towards the left-hand side, where the strip is wrapped around the corner. Fix in place to the rear frame **96A** with three red **NM** screws.



9 Position the right corner strip **105H** (marked A195M) around the right-hand corner of the upper deck, below the rear roof panel **102A**, along the edge of the rear panel **105A**. Note that the holes are more closely spaced at the end of the strip towards the right-hand side, where the strip is wrapped around the corner. Fix in place with three red **NM** screws.



10 The two cream strips **105F** (marked A167B) are positioned vertically across the cream band at the rear of the bus, on either side of the destination blind area, so that they continue the line of the vertical strips fitted in steps 5 and 6 (green arrows). Fix each of them in place with two cream **NM** screws (circled, and shown in the inset).

ROUTEMASTER BUS RM 857

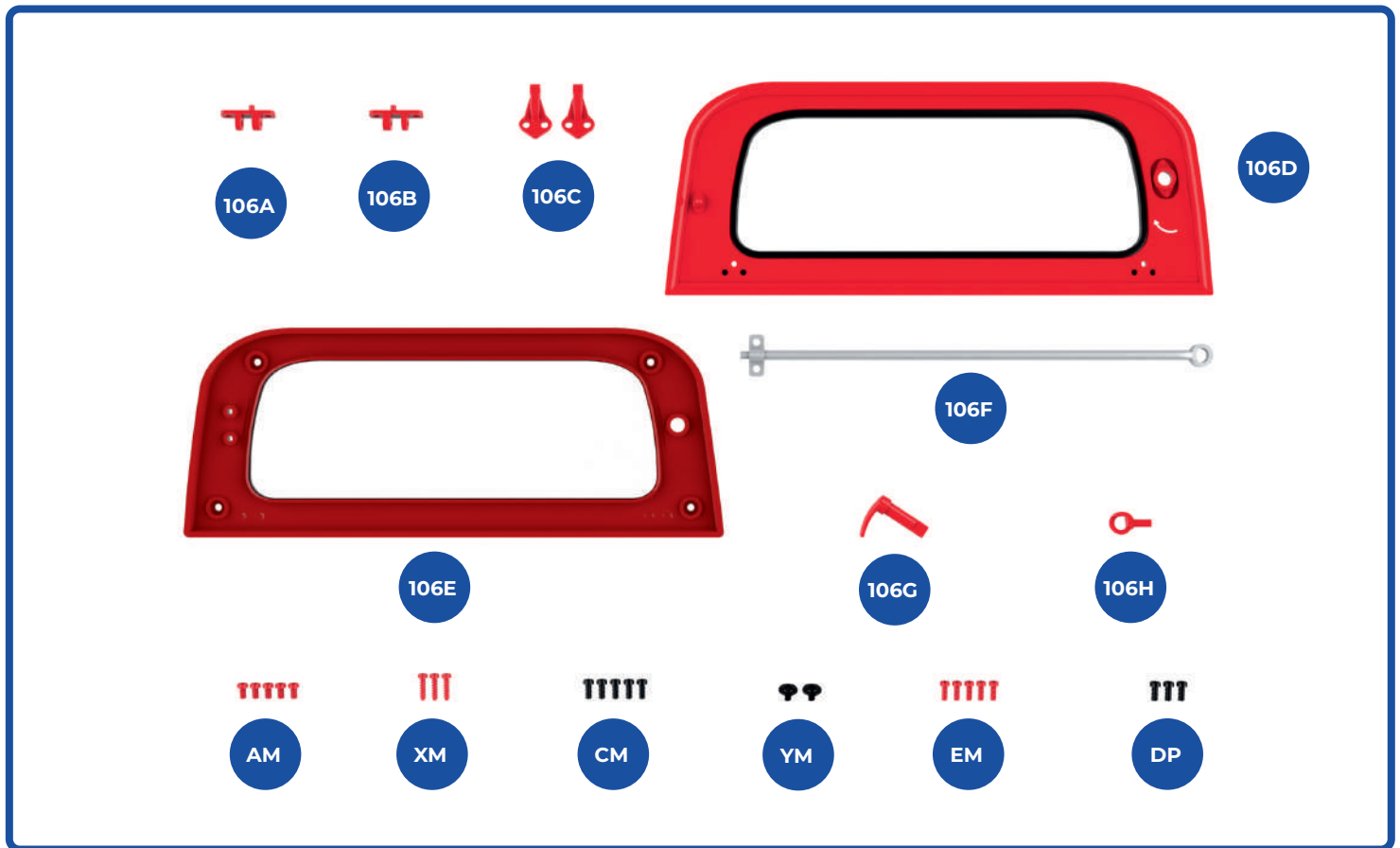
Finished view



STAGE 106

FITTING THE EMERGENCY EXIT IN THE REAR UPPER DECK WINDOW

The inner and outer panels of the upper deck emergency exit are assembled. The hinges and handles are attached and then the emergency exit is fitted to the model



KEY TO PARTS SUPPLIED

106A	Left hinge base	AM	1.7 x 3mm (x5, red)
106B	Right hinge base	XM	1.5 x 6mm (x3, red)
106C	Centre hinge plate (x2)	CM	1.7 x 4mm (x5)
106D	Emergency exit outer frame	YM	1.5 x 3 x 5mm (x2)
106E	Emergency exit inner frame	EM	1.5 x 4mm (x5, red)
106F	Window bar	DP	1.7 x 4mm (x3)
106G	Outer handle		
106H	Inner handle		

1

1 Take the inner and outer frames of the emergency exit, **106D** and **106E**. Fit them together so that the screw holes are aligned. Fix in place from the inside of the inner frame with four **CM** screws.

2

Assemble the left emergency exit hinge by fitting the narrow end of one of the centre hinge plates **106C** between the flanges on the left hinge base **106A**. Fix together with an **XM** screw, through one flange, through the screw hole on part **106C** and then into the second, wider flange, as shown. Repeat to assemble the second centre hinge plate **106C** and the right hinge base **106B**. Note the correct positions of the pegs on the hinge bases (circled).

3

3 Fit the left and right hinges to the outside of the emergency exit assembly **106D**: a peg at the top of each hinge plate **106C** is located in a hole above the screw holes on each side. Ensure you have the hinges on the correct sides of the emergency exit. Fix the hinge plates **106C** to the outer emergency exit frame **106D** using two red **AM** screws for each hinge.

4

4 Position the window bar **106F** across the emergency exit window, on the inside, as shown. Fix in place at one end, using two **DP** screws to hold it in place on the inner emergency exit frame **106E**. The ring at the other end of the bar is not fixed at this stage, but should align with the hole in the side of the emergency exit frame assembly.

5

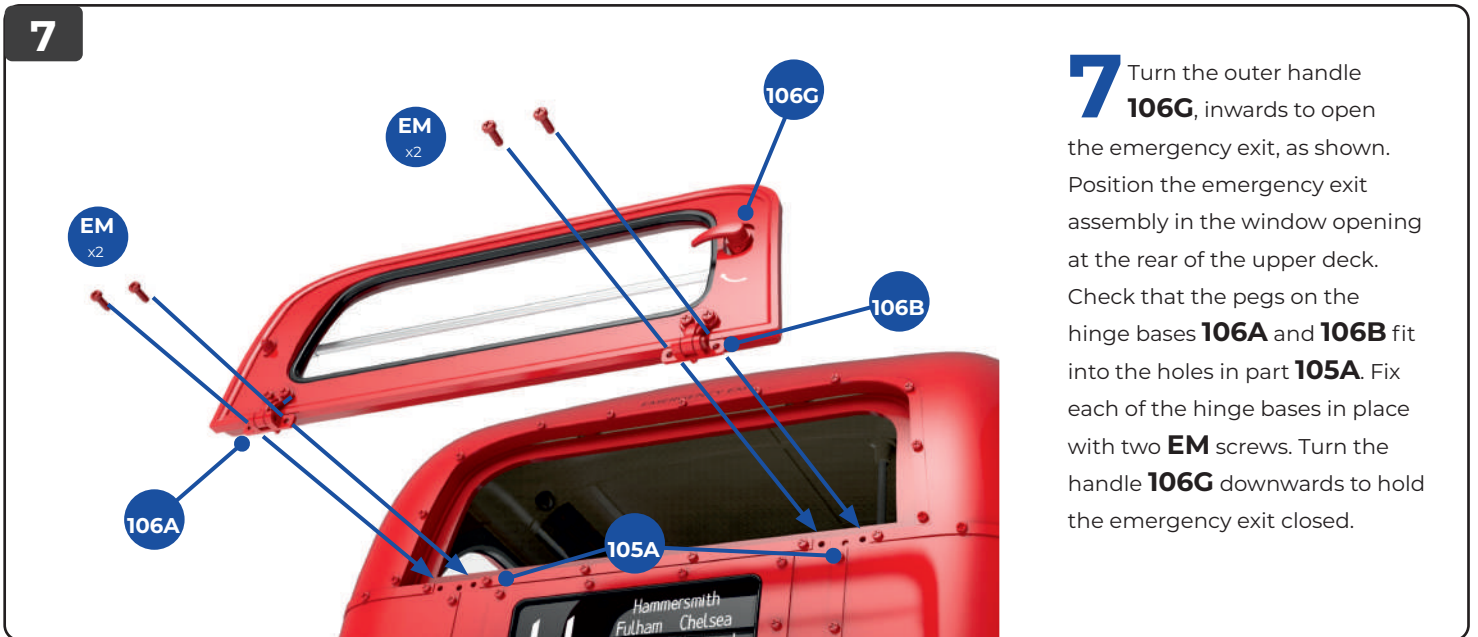
5 Take the outer handle **106G** and fit it through the hole on the right-hand side of the outer emergency exit frame **106D**. Ensure that the handle is pointing downwards.

6

6 On the inside of the emergency exit frame, fit the inner handle **106H** over the end of the outer handle **106G**, in the middle of the ring at the end of the window bar **106F**. The peg on the inner handle should point outwards. Fix in place with a **YM** screw.



This image shows the emergency exit assembled.



7 Turn the outer handle **106G**, inwards to open the emergency exit, as shown. Position the emergency exit assembly in the window opening at the rear of the upper deck. Check that the pegs on the hinge bases **106A** and **106B** fit into the holes in part **105A**. Fix each of the hinge bases in place with two **EM** screws. Turn the handle **106G** downwards to hold the emergency exit closed.

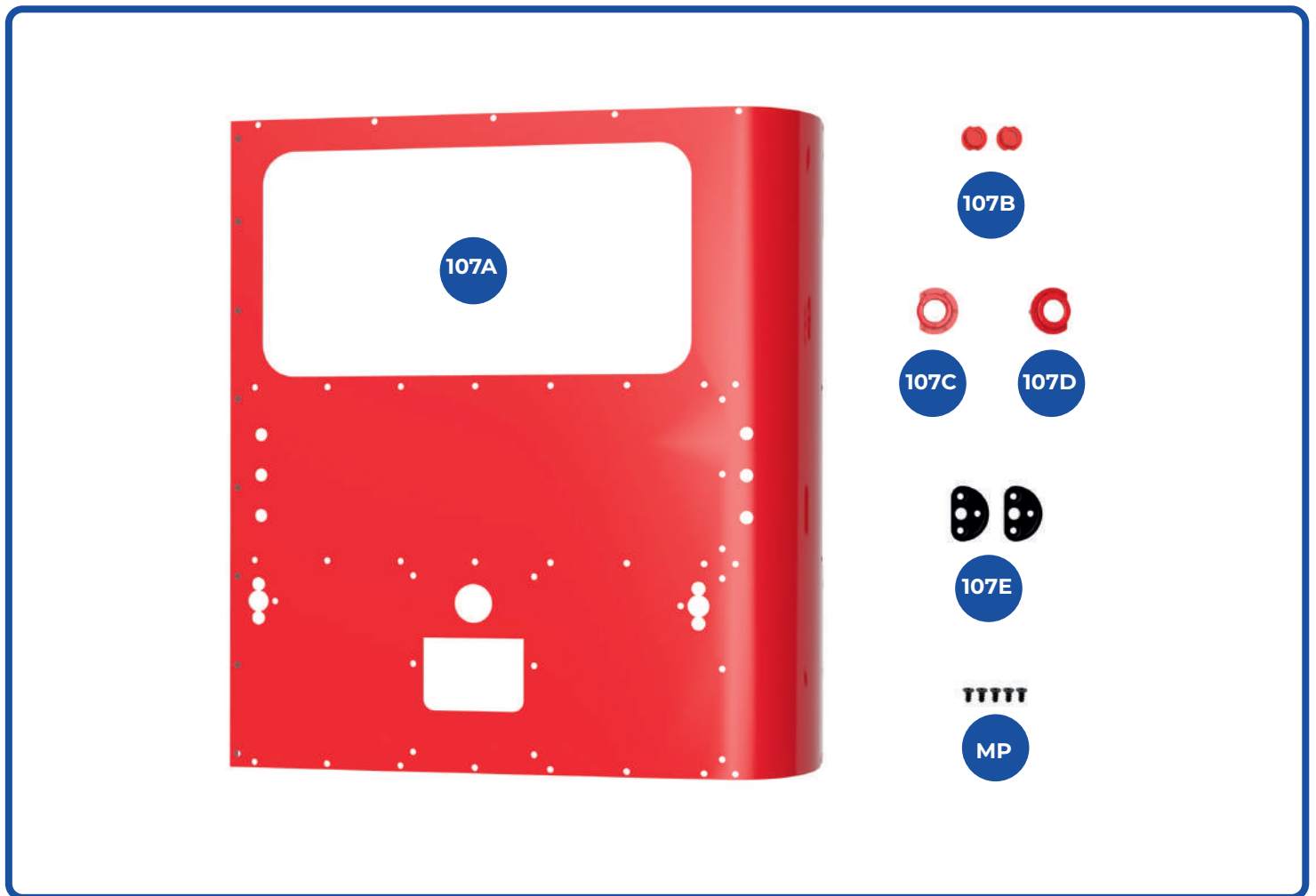
Finished views



STAGE 107

REAR WALL PANEL AND DETAILS

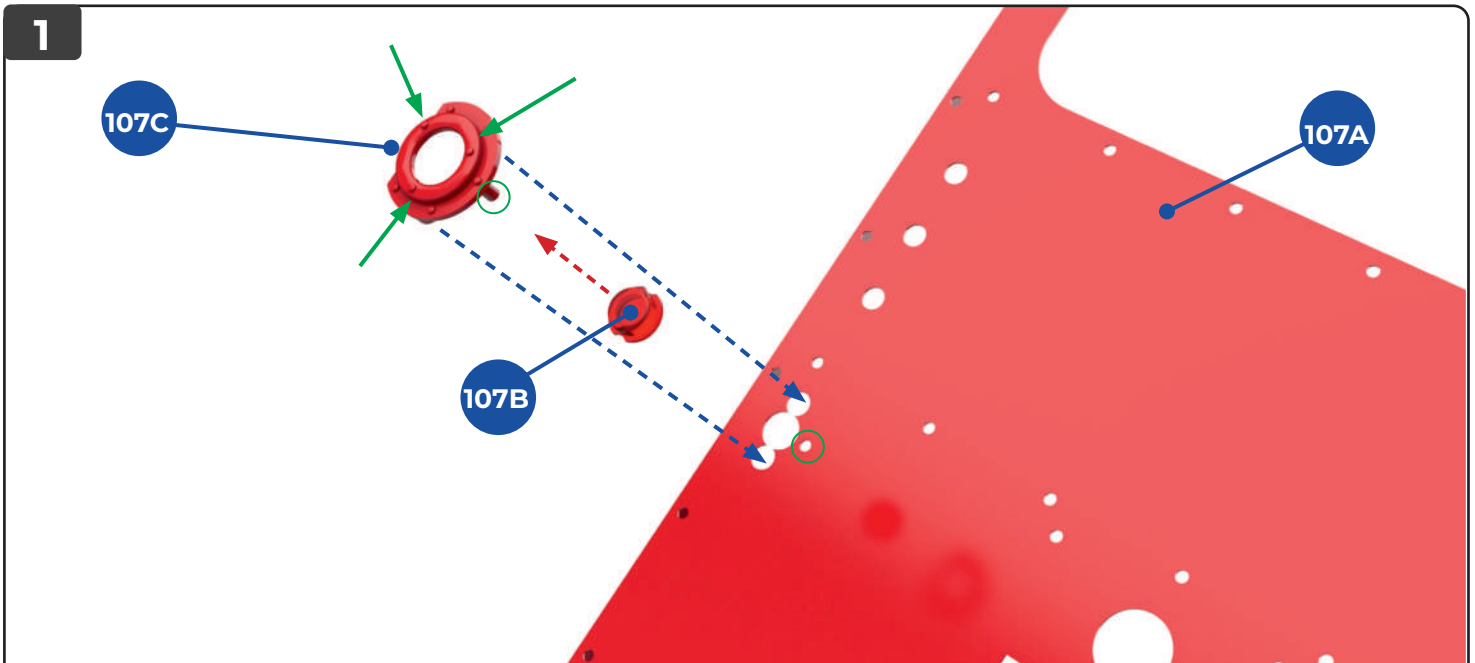
Details for the brake lights are fitted to the rear wall panel of the model.



KEY TO PARTS

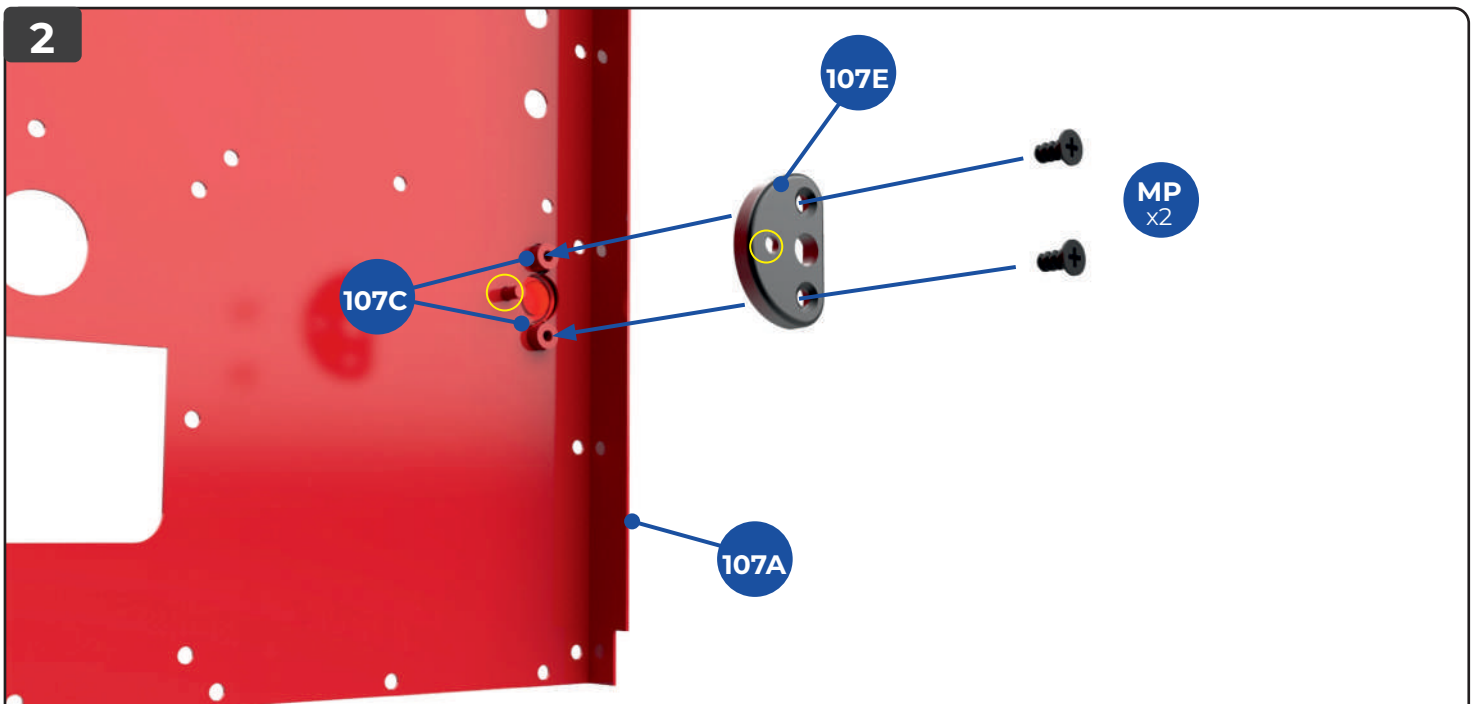
- 107A** Rear panel
- 107B** Brake light lens (x2)
- 107C** Left brake light rim
- 107D** Right brake light rim
- 107E** Brake light housing (x2)

- MP** 1.7 x 3mm (x5)



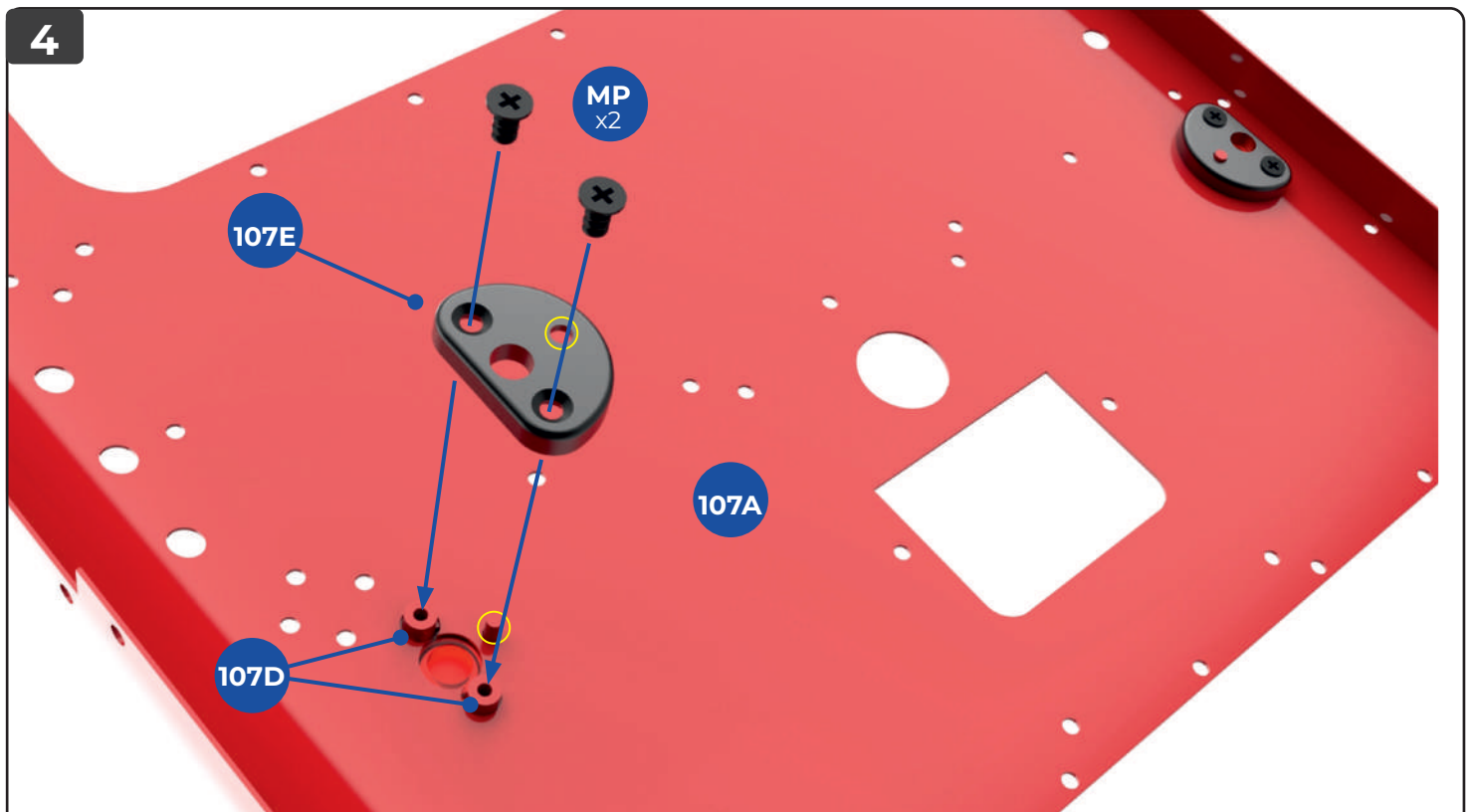
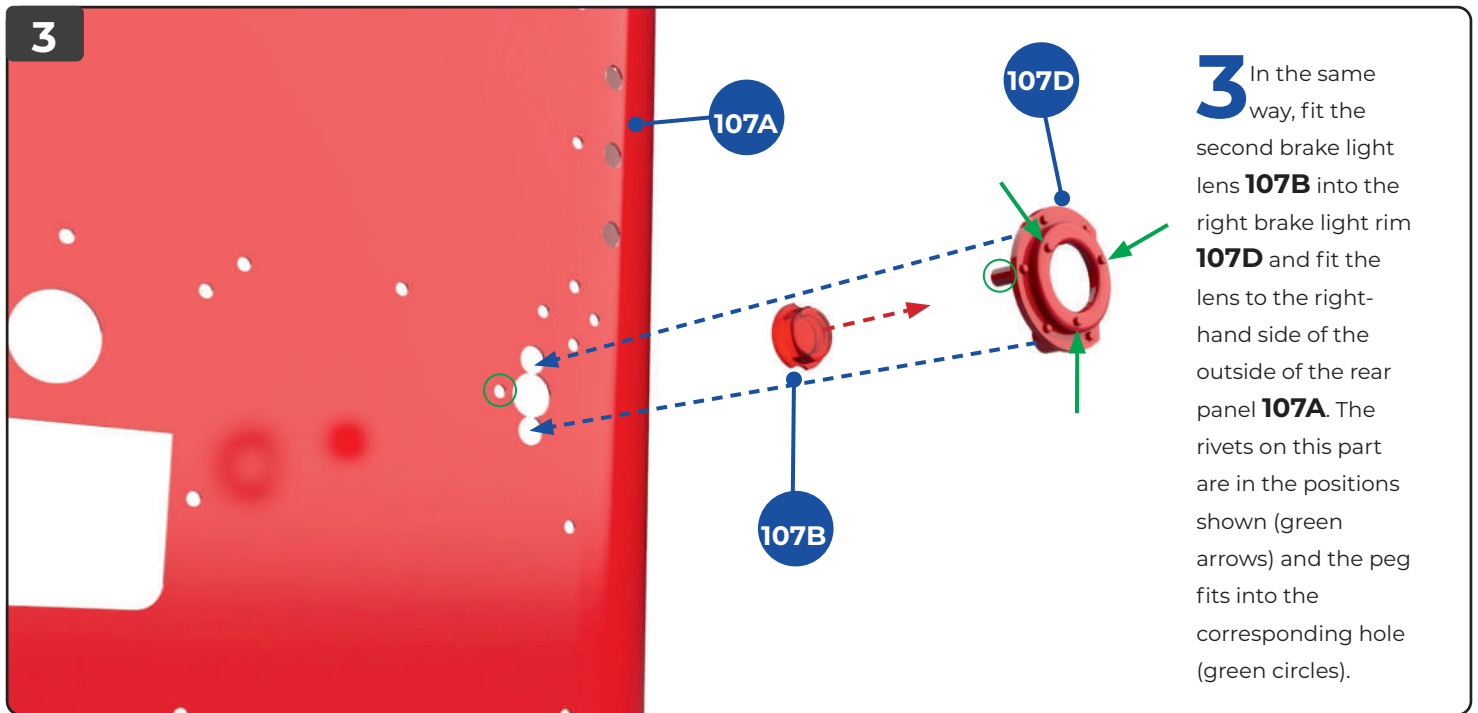
1 Fit one of the brake light lenses **107B** into left brake light rim **107C** (red arrow). Note that the two indentations on part **107B** fit next to the screw sockets on part **107C**. The position of the 'rivets' on the inner brake light rim (indicated

by the green arrows) help identify the left part **107C**. Fit the assembly into the holes on the left-hand side of the outside of the rear panel **107A**, as shown. A peg on the side of the rim **107C** fits into a hole in the rear panel **107A** (circled in green).



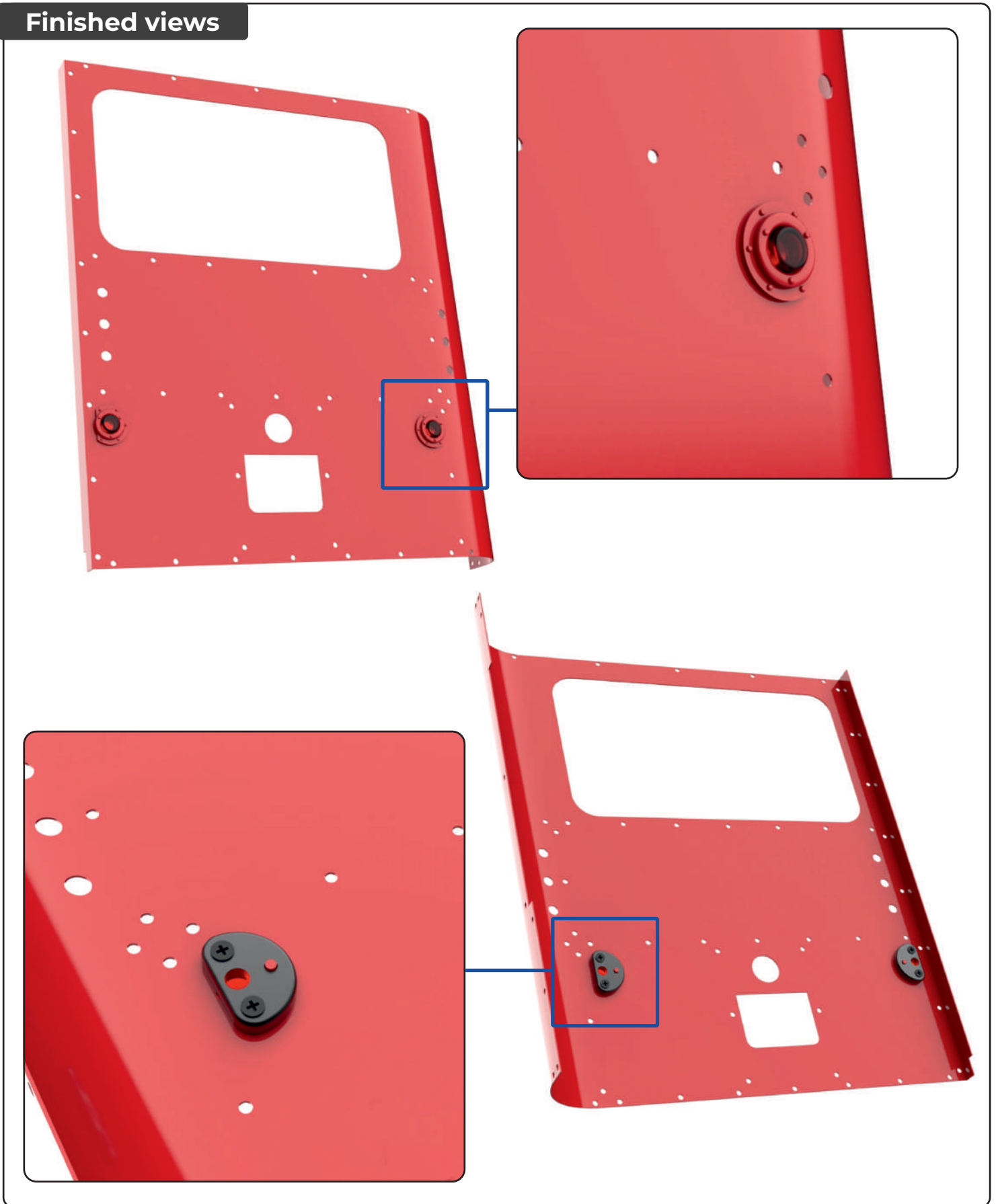
2 Holding the lens and rim in position, turn the rear wall panel **107A** over. On the inside, fit one of the brake light housings, so that the largest hole is in the centre of the brake

light lens, the two middle sized holes are aligned with the screw sockets on part **107C** and the smallest hole fits over the peg on part **107C** (circled in yellow). Fix in place with two **MP** screws.



4 Holding the lens and rim in position, turn the rear wall panel **107A** over. On the inside, fit the second brake light housing **107E**, so that the holes are aligned, as shown. Fix in place with two **MP** screws.

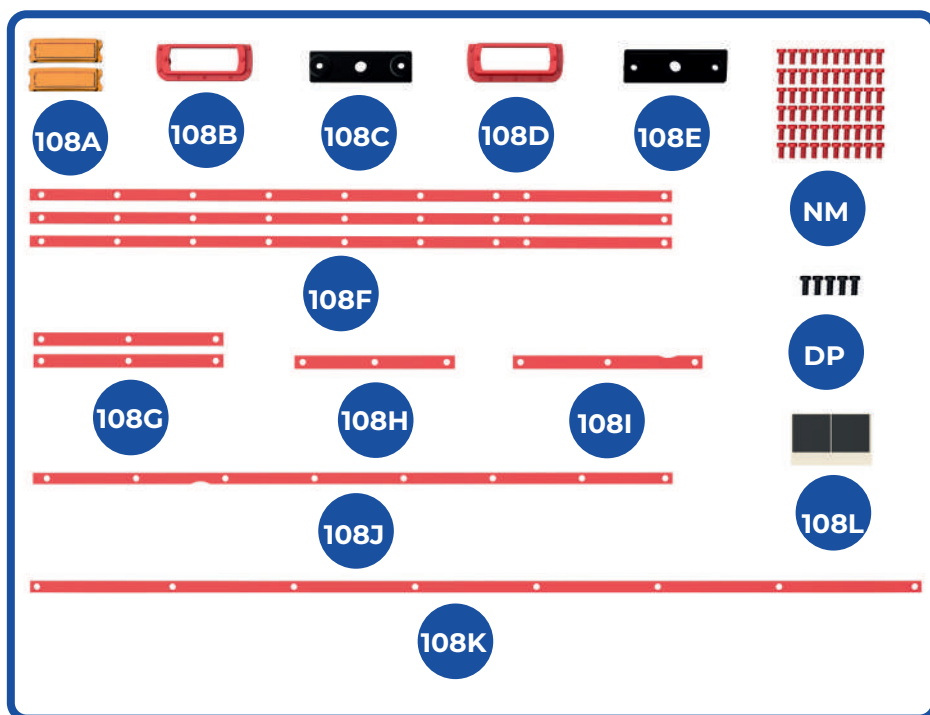
Finished views



STAGE 108

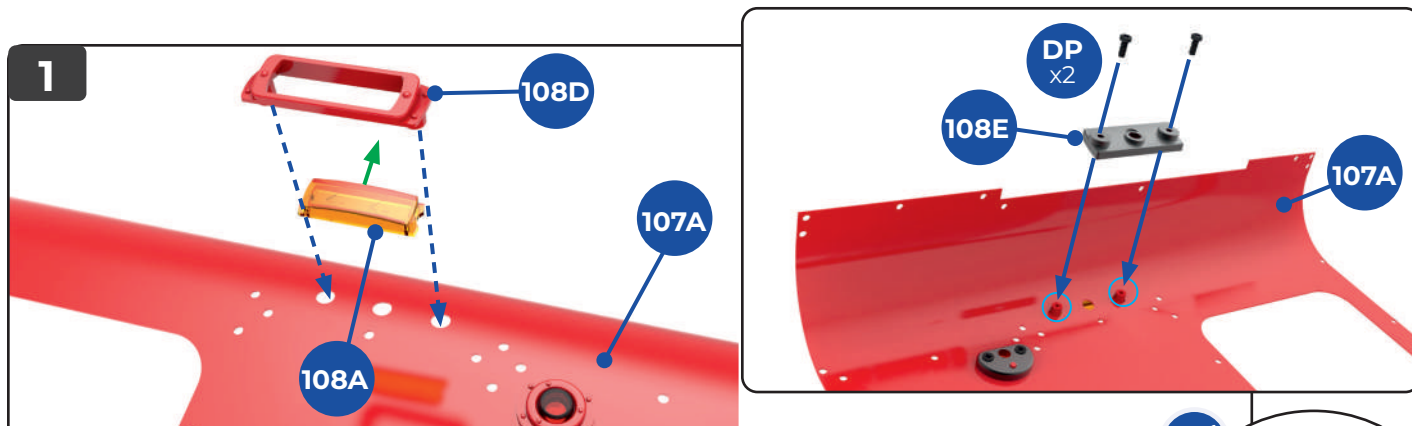
LAMPS AND TRIMS FOR THE REAR WALL PANEL

We fit the indicator lights and position the rear wall panel, which is held in place by a number of finishing strips.



KEY TO PARTS

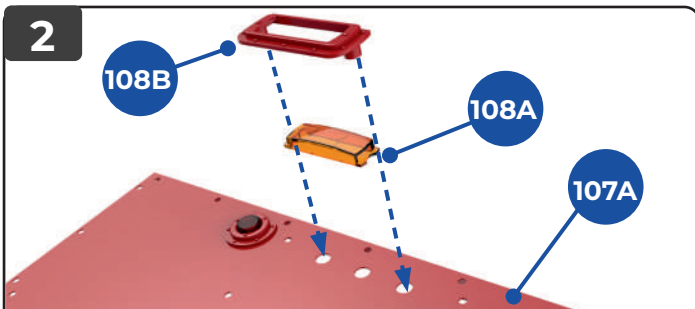
- 108A** 2 x indicator lamp lenses
- 108B** Left indicator lamp housing (flat)
- 108C** Left indicator lamp backing (flat)
- 108D** Right indicator lamp housing (curved shape)
- 108E** Right indicator lamp backing (curved shape)
- 108F** Rear strip A177 (x 3)
- 108G** Rear strip A178 (x 2)
- 108H** Rear strip A164
- 108I** Rear strip A179
- 108J** Rear strip A176
- 108K** Rear strip A194
- 108L** Tape strip (x 2)
- NM** 1.5 x 3mm screws (60, red)
- DP** 1.7 x 4mm screws (5, black)



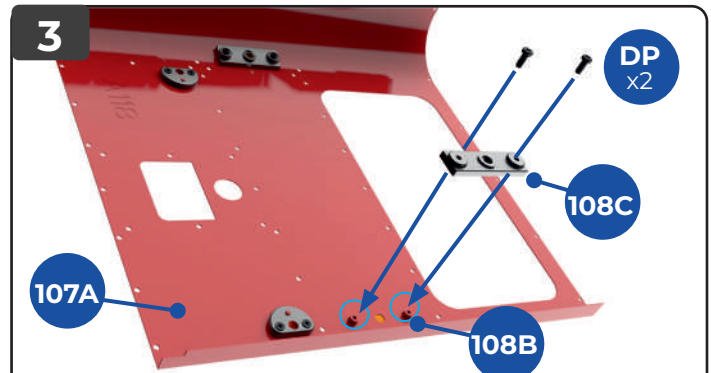
1 Take one of the indicator lenses, **108A** and the right indicator lamp housing **108D**. Fit the lens into the housing so that the arrowheads on the lens point outwards (green arrow). Position the housing on the right-hand side of the rear panel **107A** so that the two raised screw

sockets fit into the holes, as indicated. Holding the indicator housing in place, turn the rear wall **107A** over. Position the right indicator backing **108E** so that the screw holes on **108E** are aligned with the sockets on **108D** (circled, inset above). Fix in place with two black **DP** screws.

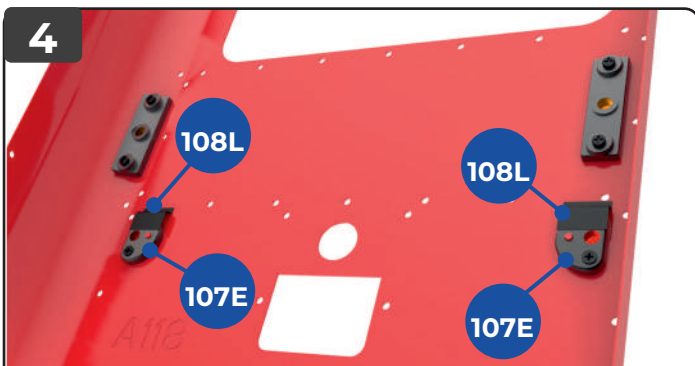
The indicator housing and backing (**108D** and **108E**) for the right-hand side are slightly curved, to fit the curve on the off-side of the rear wall panel.

2 

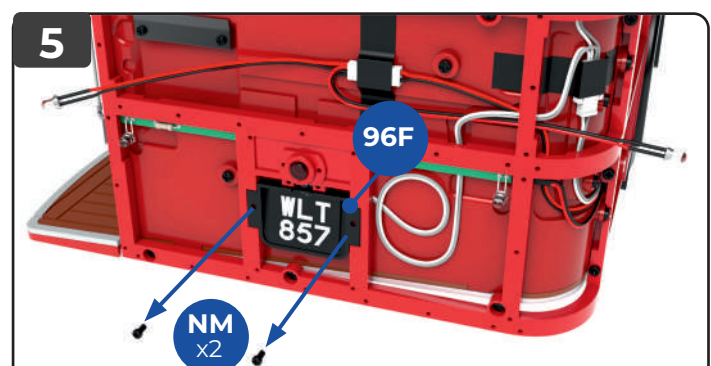
2 Take the left indicator lamp housing **108B** and the second lens **108A**. Fit the lens into the housing, and fit the raised screw sockets into the holes in the left-hand side of the rear wall panel, ensuring that the arrowheads point outwards. The narrower rim of the housing is near the outer edge of **107A**.

3 

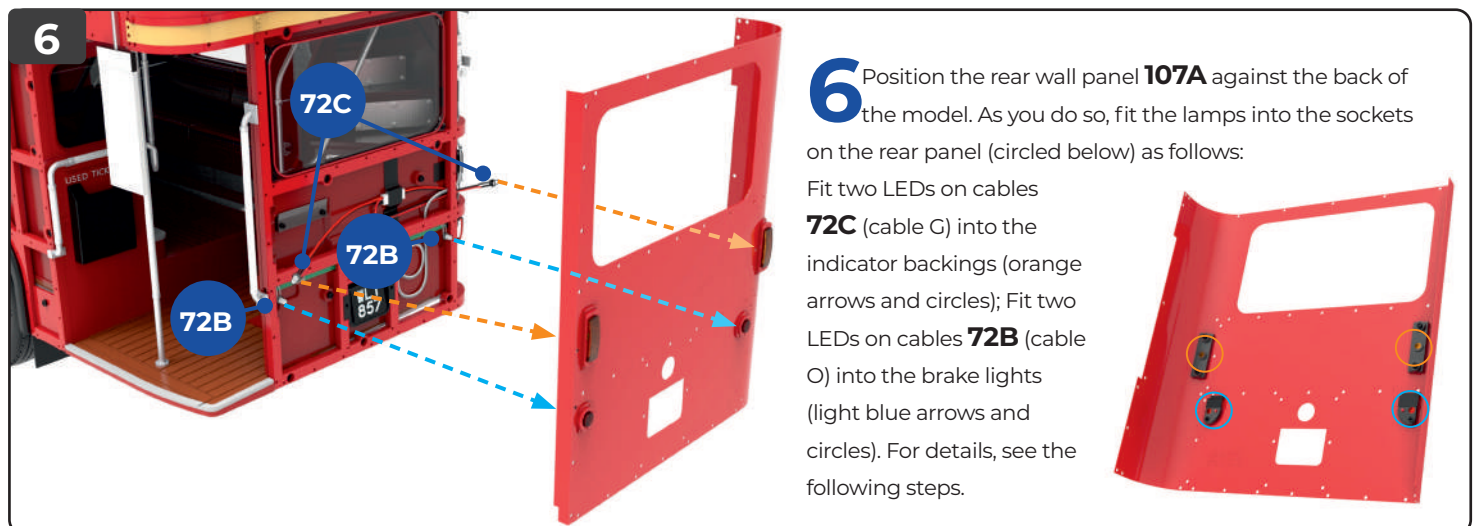
3 Holding the housing in place, turn the rear wall panel **107A** over and position the left indicator backing **108C** so that the screw holes are aligned with the sockets on **108B** (circled). Fix in place with two black **DP** screws.

4 

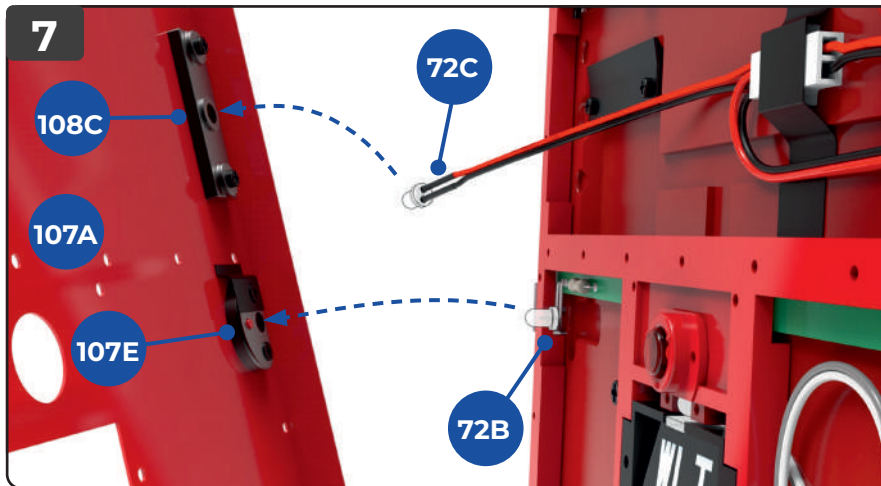
4 Fit the two strips of tape **108L** over the upper part of the brake light backings **107E** fitted in the previous stage. These act as insulation for the brake light LEDs.

5 

5 Remove the two black **NM** screws holding the number plate **96F** in place, but do not allow the number plate to move.

6 

6 Position the rear wall panel **107A** against the back of the model. As you do so, fit the lamps into the sockets on the rear panel (circled below) as follows:
Fit two LEDs on cables **72C** (cable G) into the indicator backings (orange arrows and circles); Fit two LEDs on cables **72B** (cable O) into the brake lights (light blue arrows and circles). For details, see the following steps.



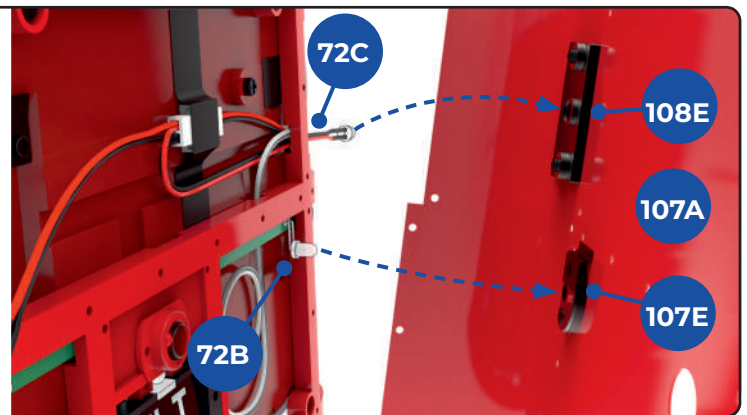
7 This close-up shows the LED **72C** and **72B** being fitted into the lamp housings on the left-hand side of the model.



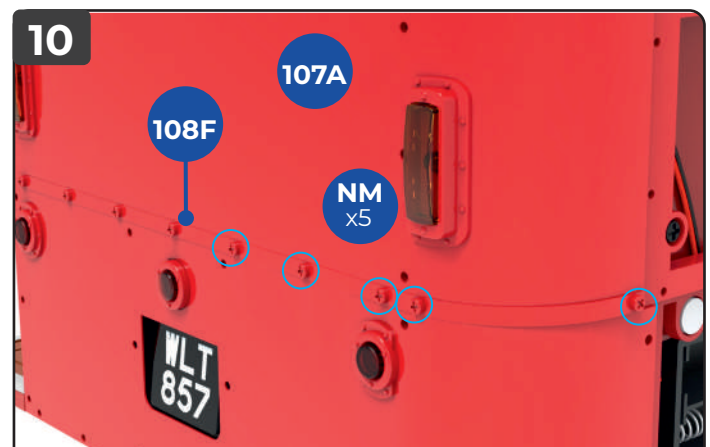
Take time when fitting the LEDs, as they are a tight fit. You may need to gently bend the LEDs **72C** to fit them into place.

8 This close-up shows the other side of the model. The second LEDs **72C** and **72B** are fitted into the lamp housings attached to the right-hand side of the rear panel **107A** at the same time as those on the left-hand side.

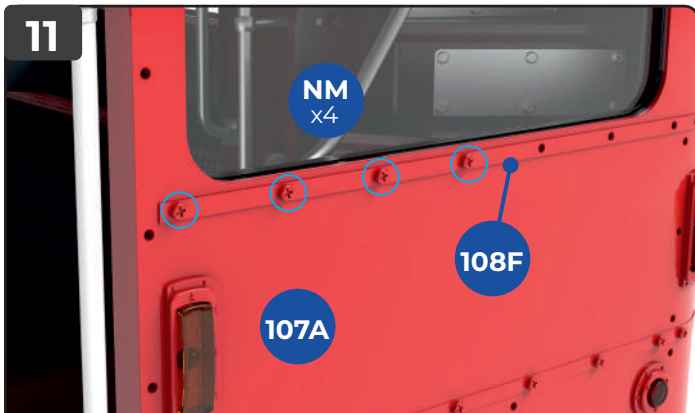
With the LEDs fitted and the number plate still in place, push the rear wall panel **107A** against the rear frame. You may want to hold it in place temporarily with a screw or tape.



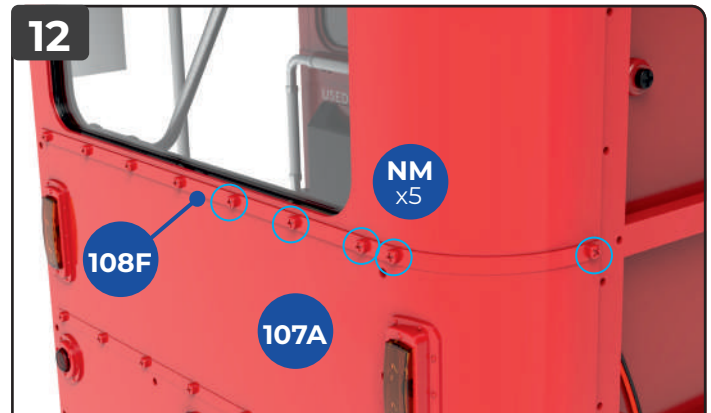
9 Position the first strip **108F** (marked A177) across the rear of the model above the brake lights, with screw holes aligned. Note the more even spacing of the screw holes at the left-hand end of part **108F** (see also next step). Use four red **NM** screws to fix the left-hand end of the trim in place.



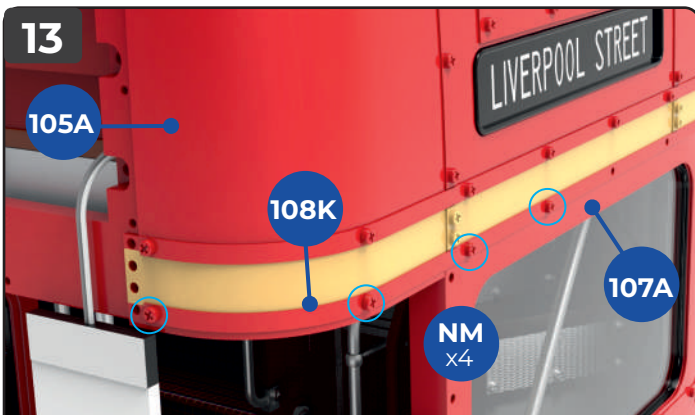
10 Continue fixing the trim **108F** in place on the right-hand side of the rear wall panel **107A**, wrapping it round the curve of part **107A**. You will need to use five more red **NM** screws. Note that there are two screw holes quite close together between the indicator and brake lights.



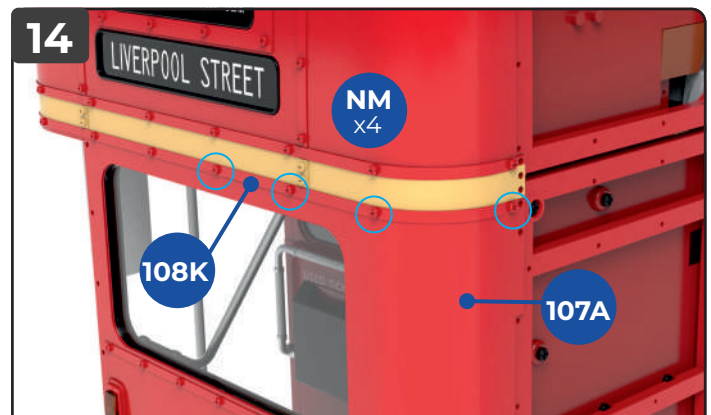
11 Position the second length of trim **108F** (marked A177) beneath the window. Use four **NM** screws to fix the left-hand end in place.



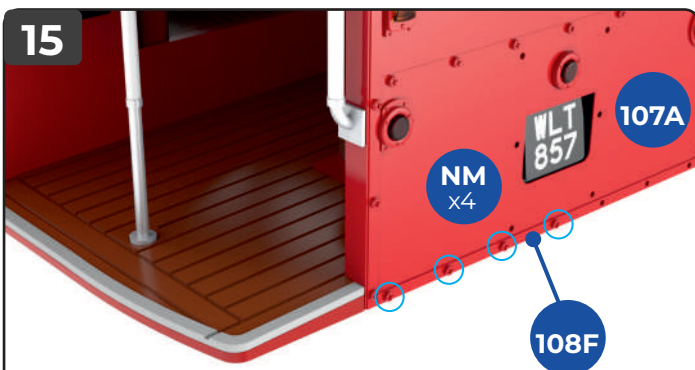
12 Continue fixing the right-hand end of trim **108F**, wrapping it around the curve of part **107A**, using five red **NM** screws. Again, notice how the screw holes are spaced.



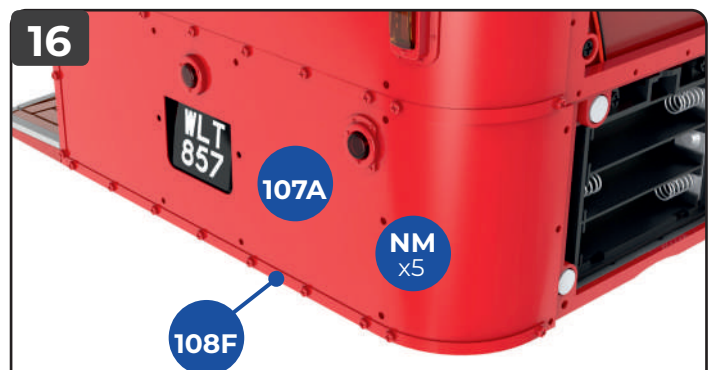
13 Trim strip **108K** (marked A194) is positioned along the bottom of the cream stripe. Fix the left-hand end in place with four red **NM** screws, as shown.



14 Continue fixing the right-hand end of trim **108K** using four more red **NM** screws.

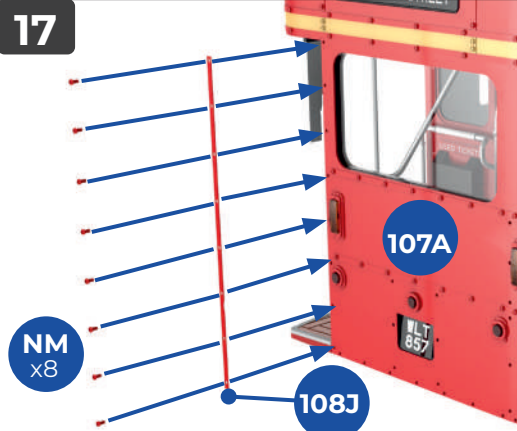


15 The third strip **108F** (marked A177) fits along the lower edge of the rear wall panel **107A**. Fix the left-hand end in place with four red **NM** screws.



16 Fix the right-hand end of part **108F** to the rear wall panel **107A**, wrapping it around the curve of the rear wall panel. You will need five red **NM** screws.

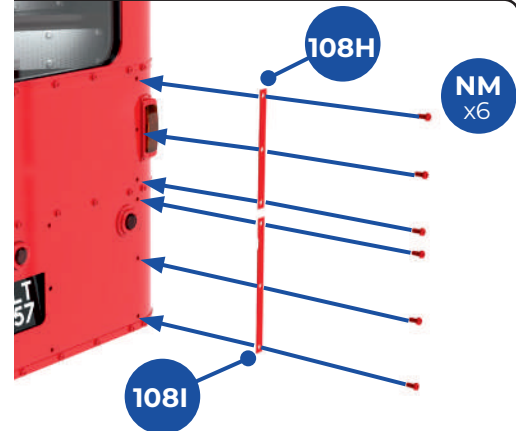
17



NM x8

108J

17 The rear strip **108J** (marked A176) is positioned down the left-hand side of the rear panel, next to the platform opening. Fix in place with eight red **NM** screws. The two strips **108H** (marked A164) and **108I** (A179, slightly longer) fit above and below the right-hand brake light (right). Fix each strip in place with three red **NM** screws.



108H

NM x6

108I

18



NM x6

108G

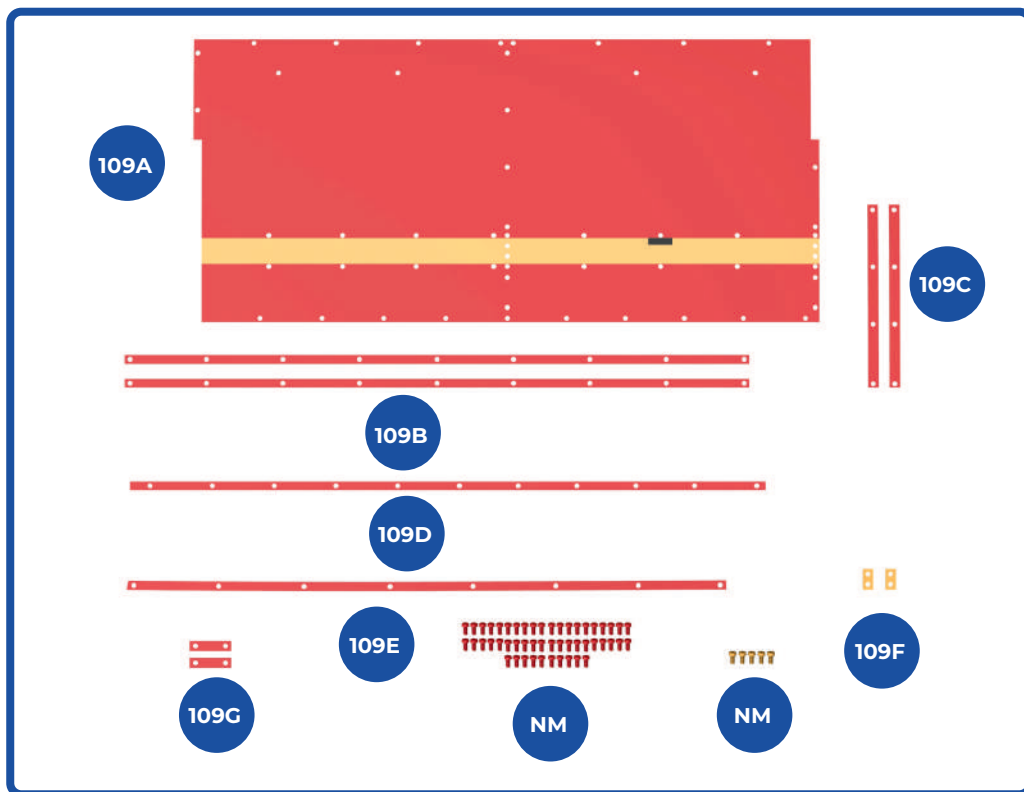
18 The two strips **108G** (marked A178) are fitted vertically, one on each side of the number plate. Fix each one in place with three red **NM** screws.



STAGE 109

SIDE PANEL AND TRIM STRIPS FOR THE NEARSIDE

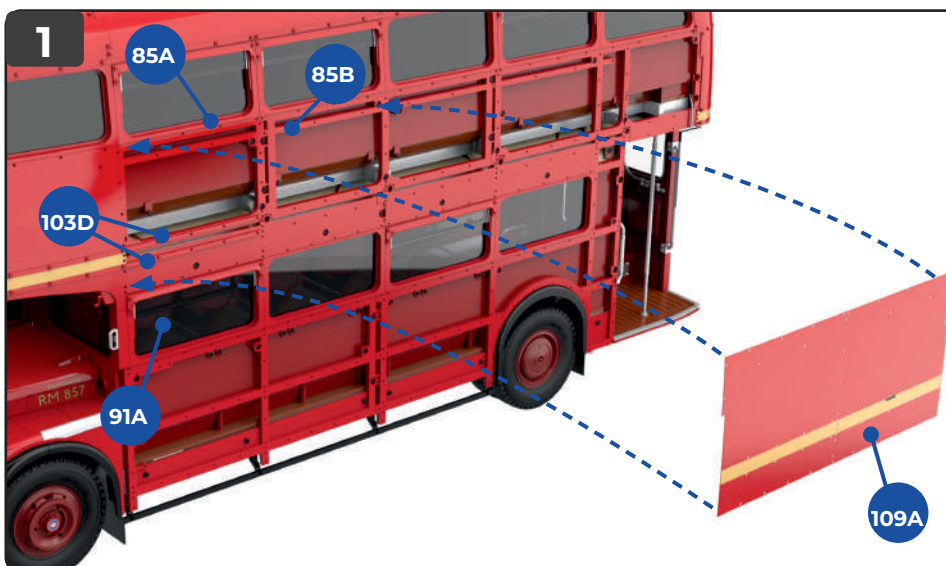
Working on the nearside of the model, we continue to fit outer panels and trim strips.



KEY TO PARTS SUPPLIED

- 109A** Side panel
- 109B** Side strip marked A184 (x2)
- 109C** Side strip marked A197B (x2)
- 109D** Side strip marked A163
- 109E** Side strip marked A188
- 109F** Cream side strip marked A167B (x2)
- 109G** Side strip marked A167C

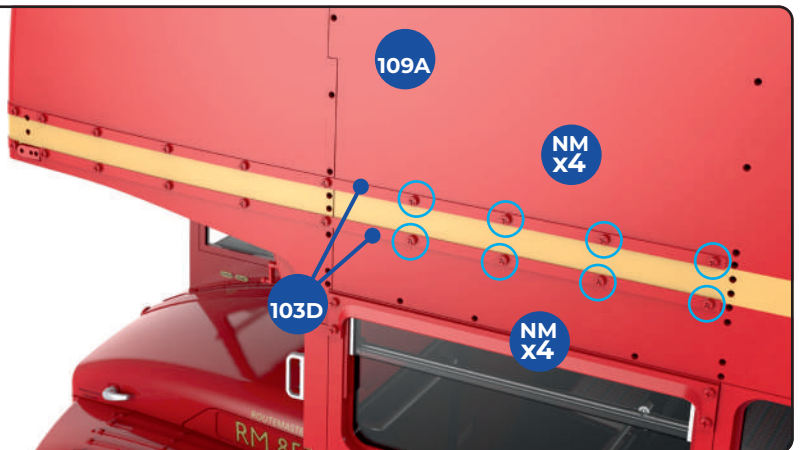
- NM** 1.5 x 3mm (x50, red)
- NM** 1.5 x 3mm (x5, cream)



1 Take the side panel **109A**, and fit it in place below the windows of the upper deck, against frames **85A**, **85B** and **91A**. You will need to slip the panel behind the two unsecured trim strips **103D**.

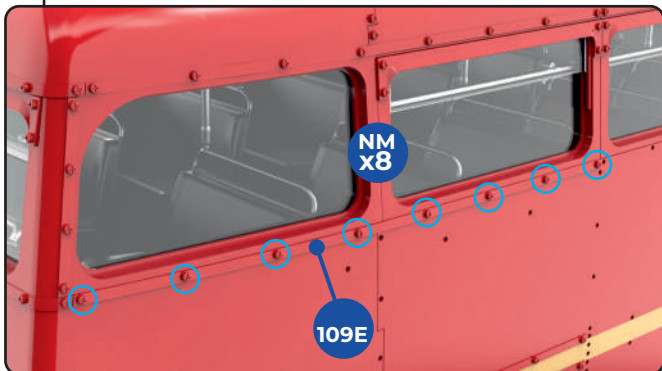
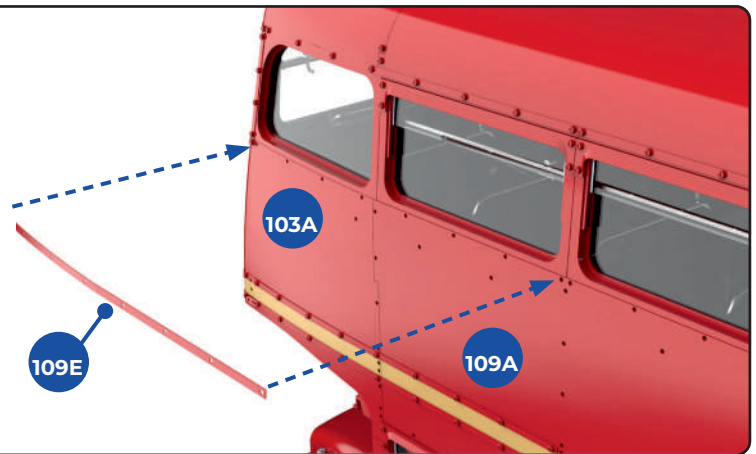
2

2 Fix the lower part of panel **109A** in place above and below the cream strip by fitting four red **NM** screws through the screw holes in each of the trim strips **103D**, and through the screw holes in the panel **109A**.



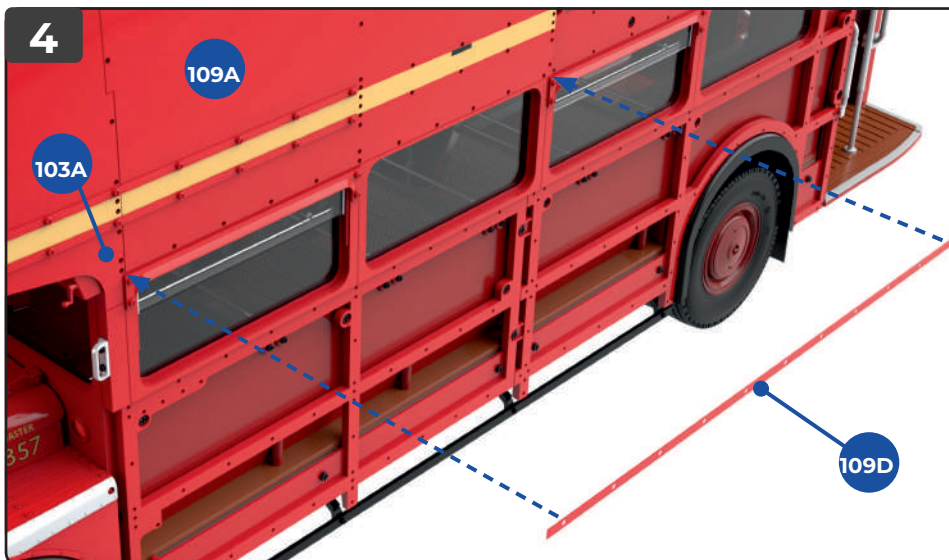
3

3 Position strip **109E** (marked A188) along the nearside of the bus, below the first two upper deck windows. The screw holes in strip **109E** should align with screw holes along the top edge of side panels **103A** and **109A** (they are not evenly spaced). Fix in place with eight red **NM** screws (inset, below).



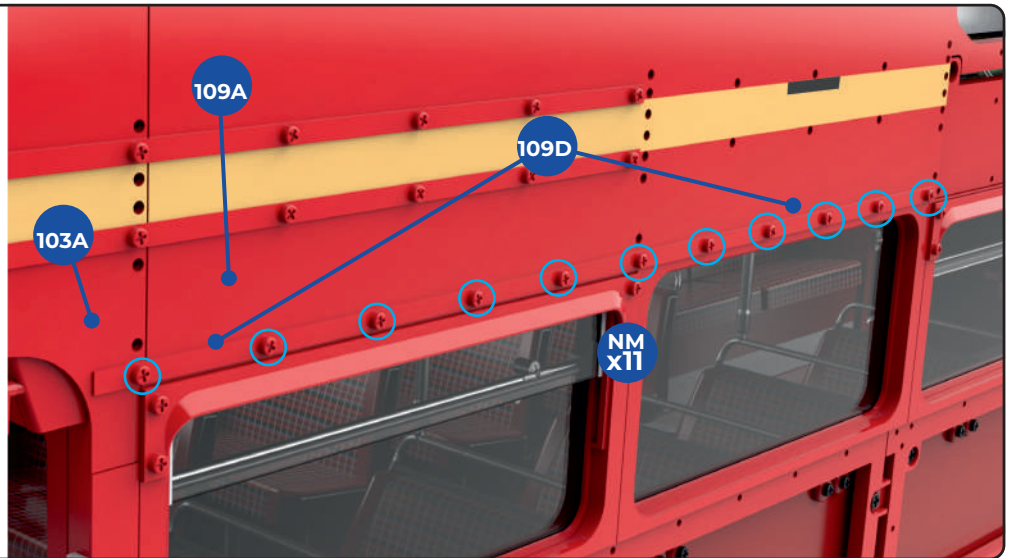
4

4 Position the side strip **109D** (marked 163A) along the lower edge of part **109A**. Note that the screw holes are not evenly spaced – the right-hand end of the strip has a screw hole very close to the end of the strip. The screw hole at the left-hand end should be aligned with a screw hole in part **103A**.

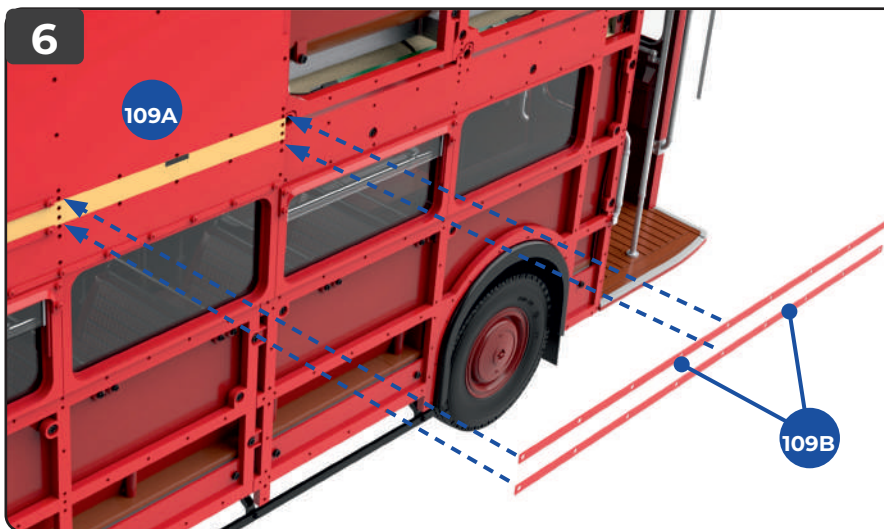


5

5 Fix the side strip **109D** in place to the lower edge of panel **109A**, above the lower deck windows, with eleven red **NM** screws. Notice that the screw on the left-hand end is fixed into panel **103A**.



6

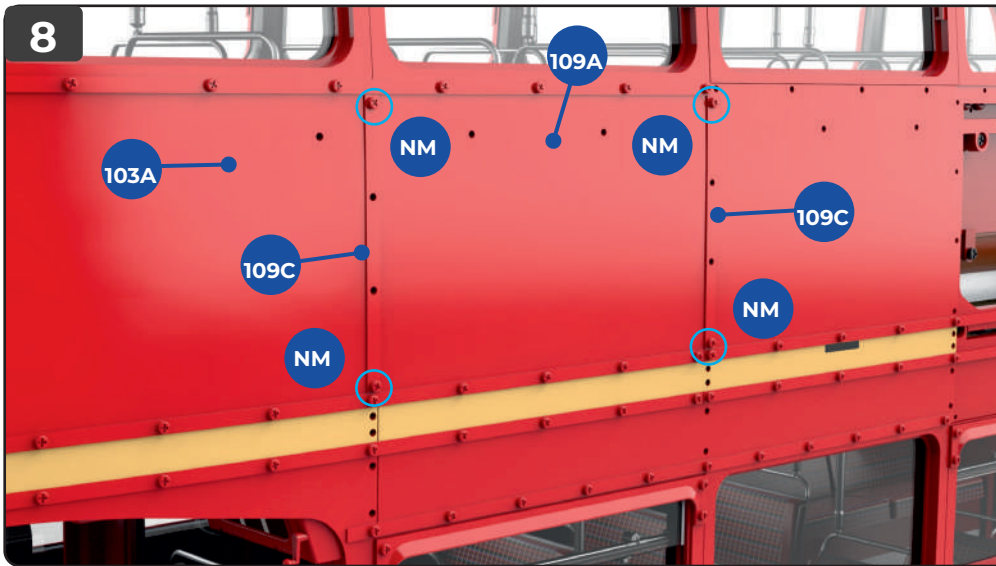


6 Take two strips **109B** (marked A184) which are positioned one at a time above and below the cream strip on the right-hand side of side panel **109A**.

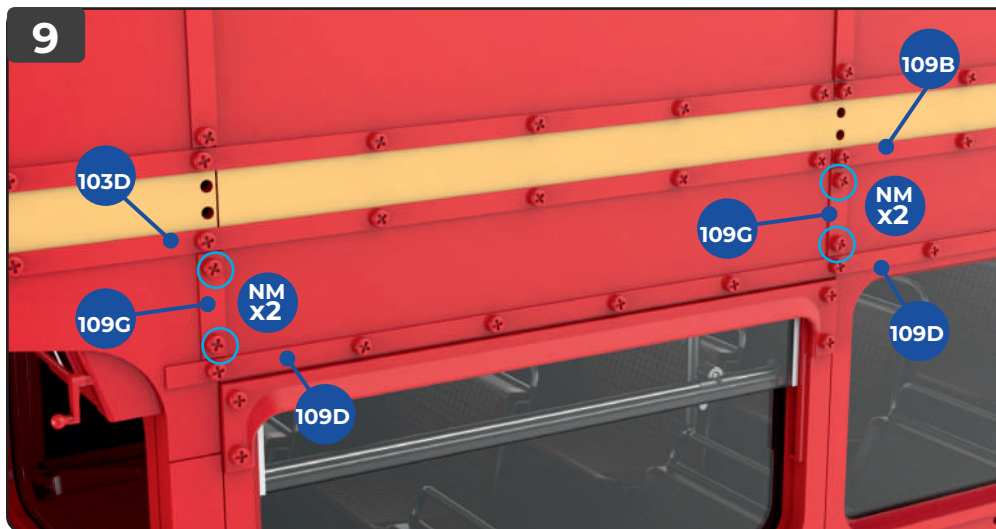
7



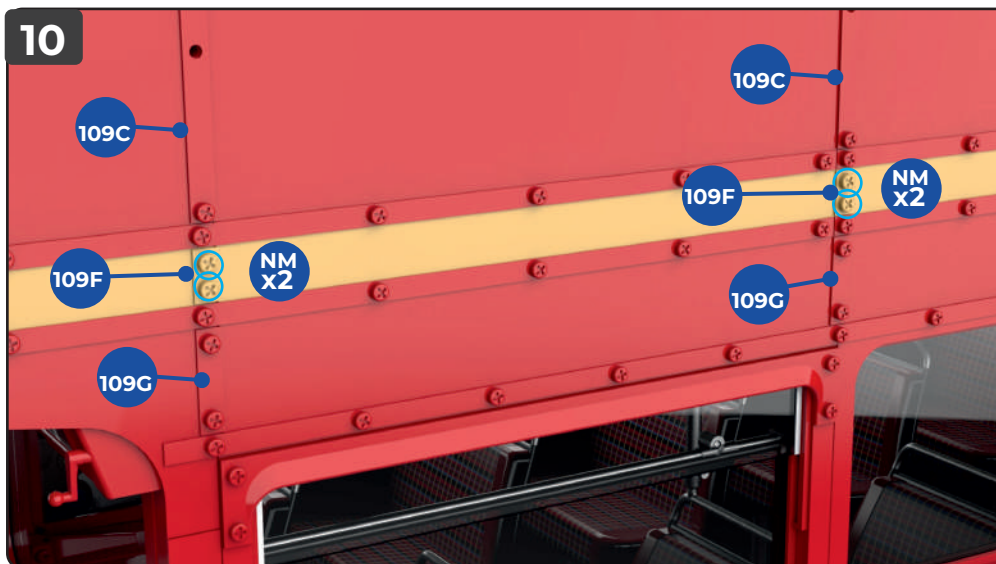
7 Fix the left-hand ends of the two side strips **109B** in place, ensuring that they continue the line from strips **103D**. You will need five red **NM** screws for each strip.



8 Take the two side strips **109C** (marked A197B) and position them vertically, one over the 'seam' between parts **103A** and **109A**, and the other aligned with the row of screw holes down the middle of panel **109A**. Fix the top and bottom of each strip in place with a red **NM** screw. Note that the screw holes in the middle of the strip are not used at this stage.



9 Take the two short strips **109G** (marked A167C). Position the first one vertically between the lower strip **103D** and strip **109D**. Fix in place with two red **NM** screws. The second strip also runs vertically, from the join between the lower strips **96A** and **109B**, and strip **109D**. Fix in place with two red **NM** screws.



10 The two cream strips **109F** (marked A167B) are positioned vertically across the cream band continuing the line of strips **109C** and **109G** fitted in the previous two steps. Fix each cream strip in place with two cream **NM** screws.

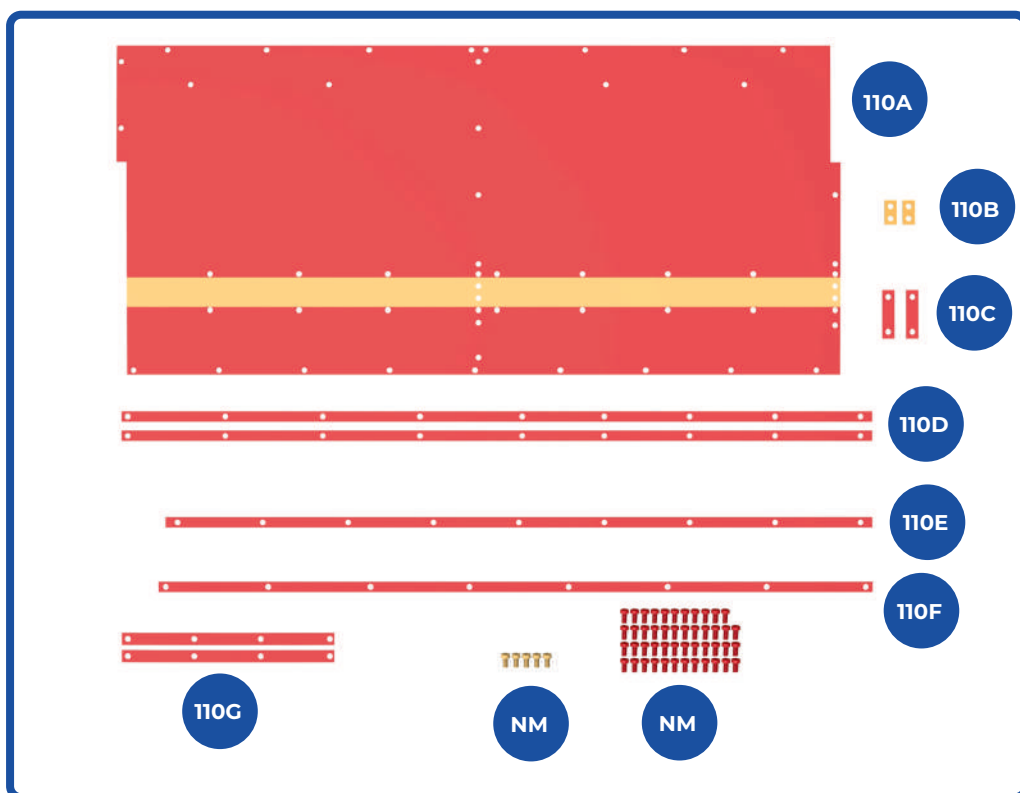
Finished view



STAGE 110

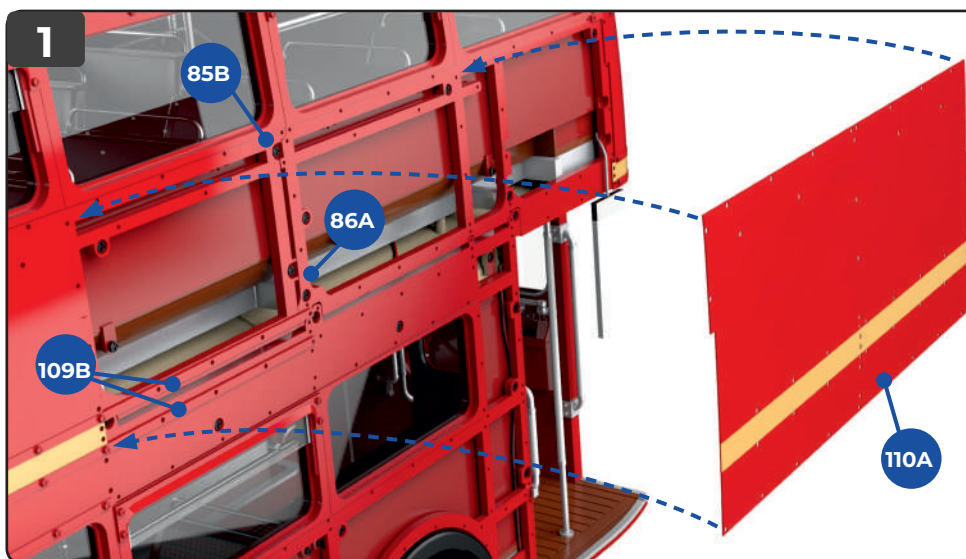
SIDE PANEL AND TRIM STRIPS FOR THE NEARSIDE

In the final stage for this Pack, we will fit the outer panels and strips towards the rear of the model.



KEY TO PARTS SUPPLIED

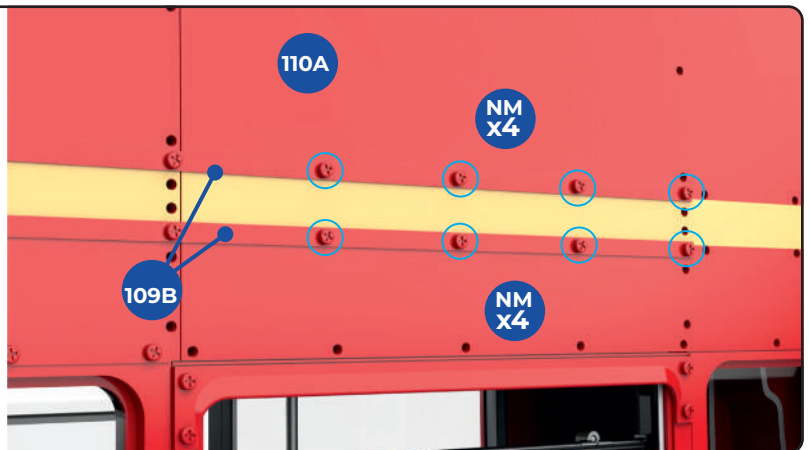
- 110A** Side panel
- 110B** Cream side strip (marked A167B, x2)
- 110C** Side strip (marked A167C x2)
- 110D** Side strip (marked A186, x2)
- 110E** Side strip (marked A175)
- 110F** Side strip (marked A189)
- 110G** Side strip (marked A197B, x2)
- NM** 1.5 x 3mm (x47, red)
- NM** 1.5 x 3mm (x5, cream)



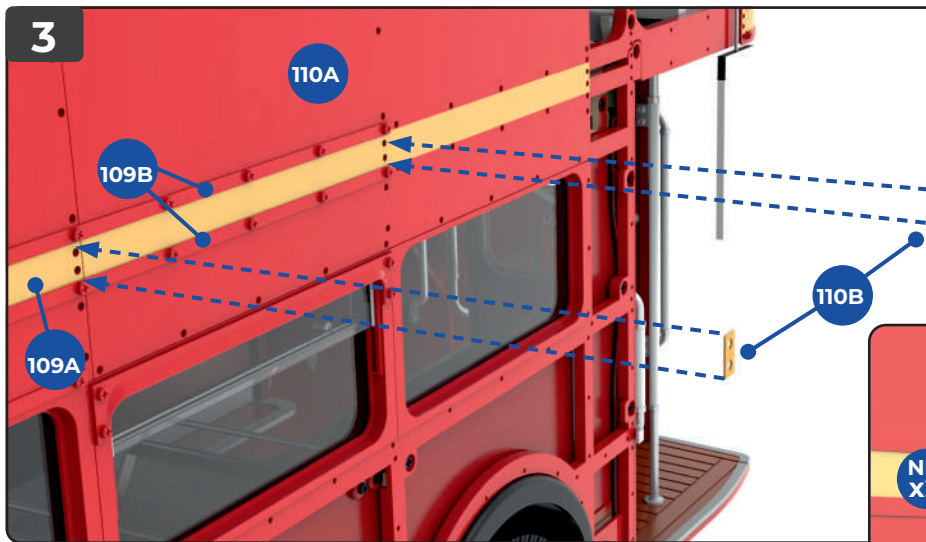
1 Take the side panel **110A**, and fit it in place below the windows of the upper deck, against frames **85B** and **86A**. You will need to slip the panel behind the two unsecured trim strips **109B**.

2

2 Fix the lower part of panel **110A** in place above and below the cream strip by fitting four red **NM** screws through the screw holes in each of the trim strips **109B**, and through the screw holes in the panel **110A**.



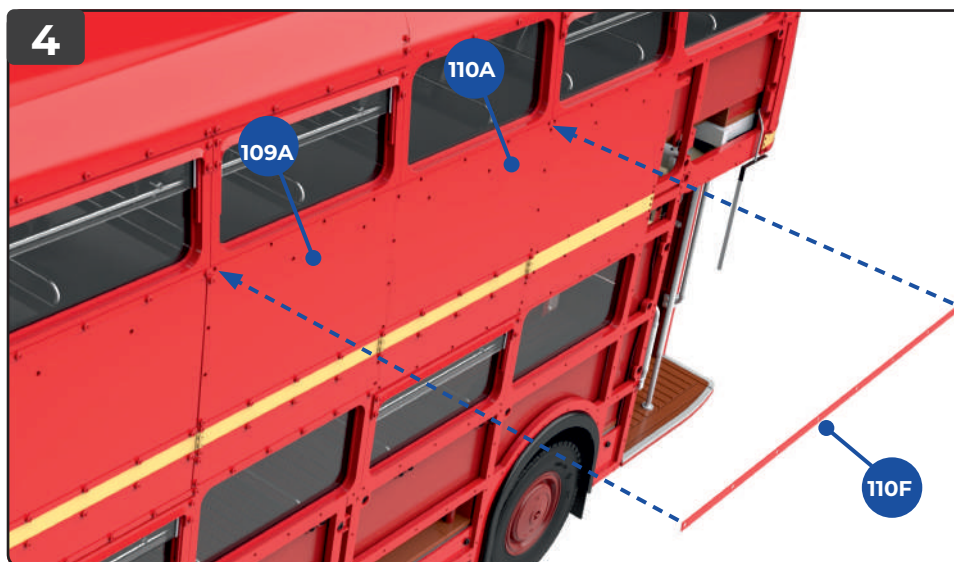
3



3 One by one, position the two cream strips **110B** (marked A167B) vertically across the cream band between strips **109B**. Fix each one in place with two cream NM screws (inset below).



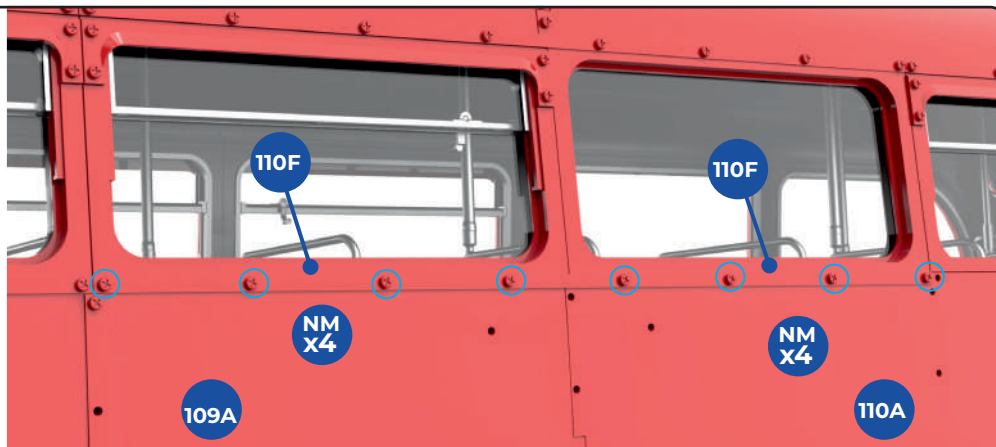
4



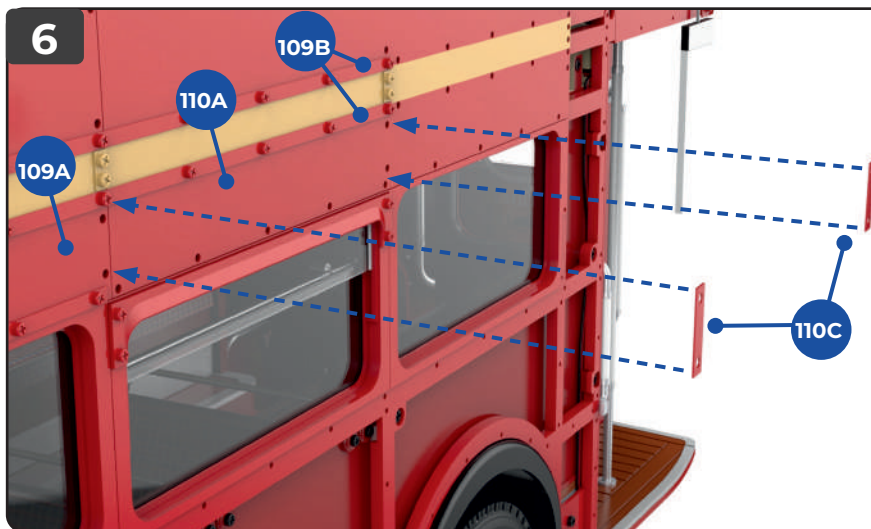
4 Position the side strip **110F** (marked A189) along the upper edges of parts **109A** and **110A**, beneath the windows of the upper deck. When correctly fitted, the holes in strip **110F** will all align with holes in the panels.

5

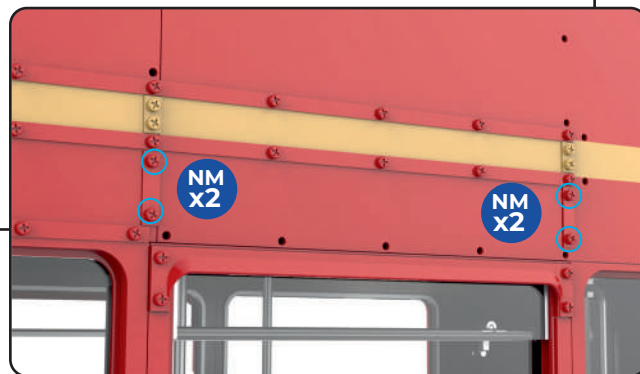
5 Fix the side strip **110F** in place through the screw holes in parts **109A** and **110A**, using a total of eight red **NM** screws (circled).



6



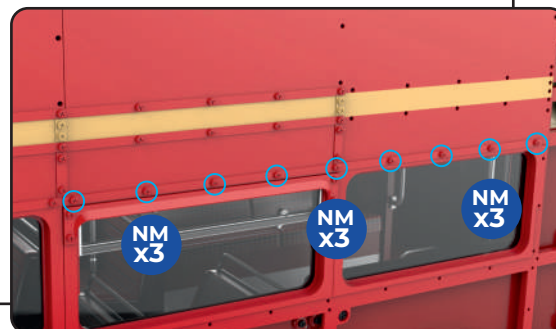
6 One at a time, take the two strips **110C** (marked A167C). Position the first one vertically in line with the cream strip, on the edge of panel **109A**. The second one is positioned vertically at the end of the two strips **109B**. Fix each of the strips **110C** in place with two red **NM** screws (inset).

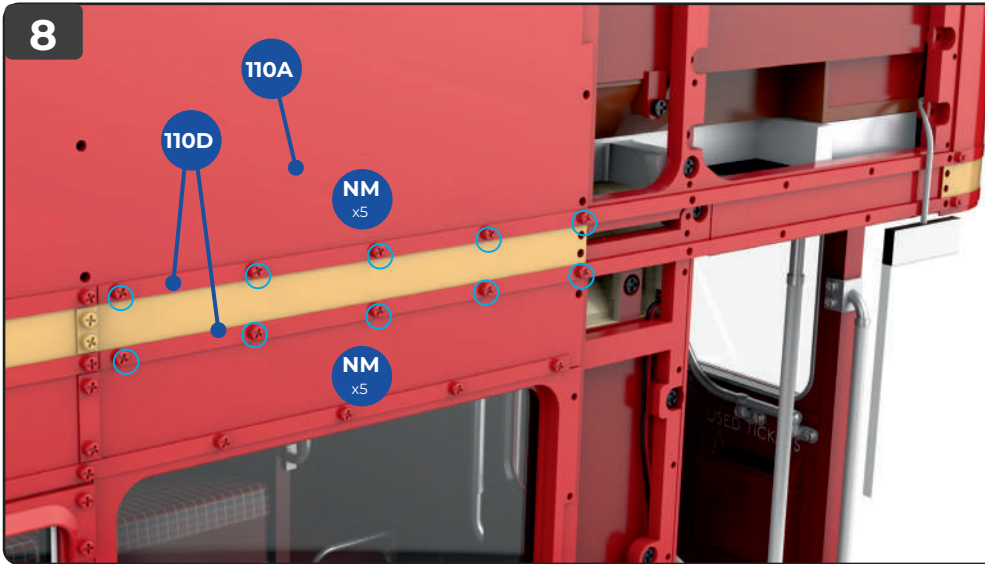


7

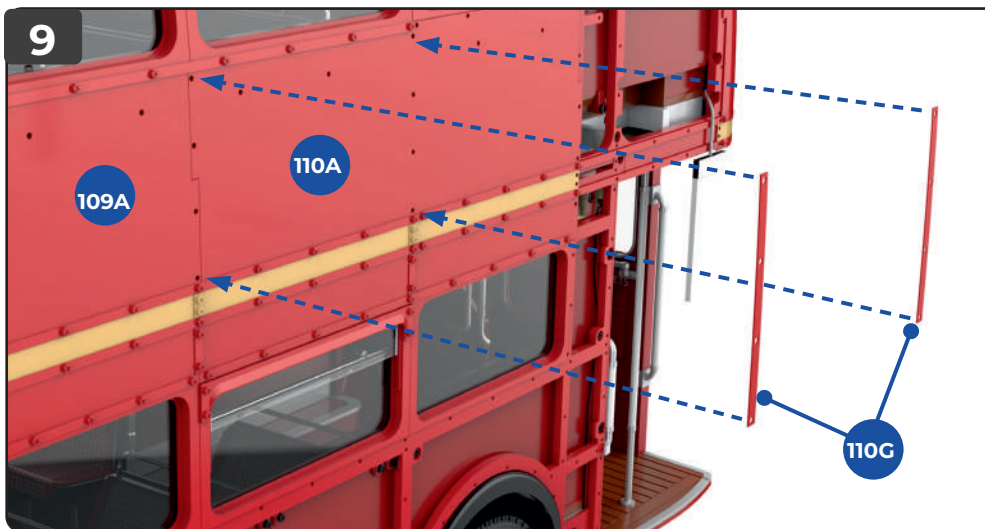


7 Position side strip **110E** (marked A175) in place above the rear two windows on the lower deck. Fix in place with a total of nine red **NM** screws (inset).

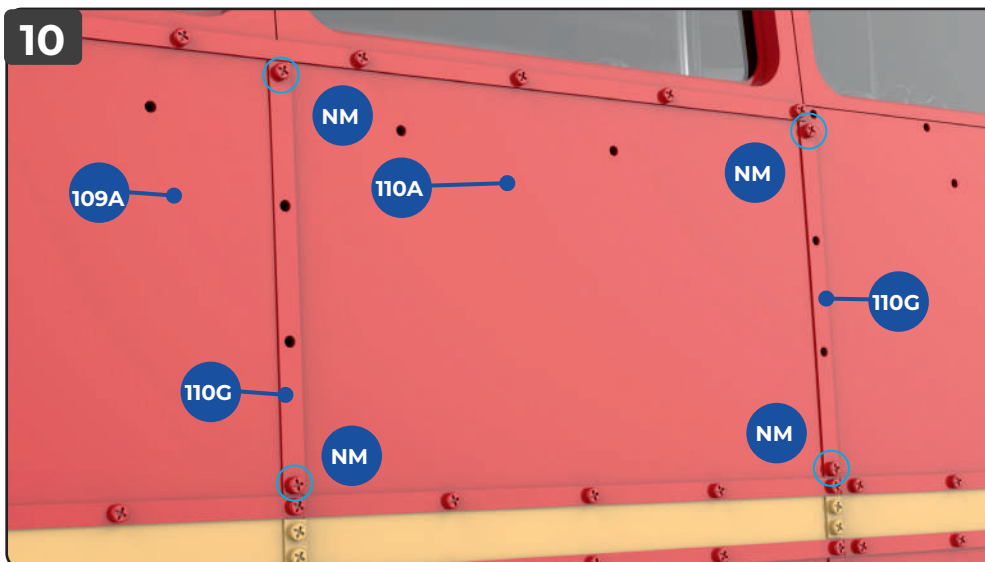




8 The two side strips **110D** (marked A186) are positioned above and below the cream stripe on part **110A**, over the rear window of the lower deck and the platform. Note that the holes are not all evenly spaced; when correctly fitted, the holes will align with holes in part **110A**. Fit the strips one at a time and fix each one in place with five red **NM** screws. At this stage, only the front ends of the strips are fixed in place.



9 Take the two red strips **110G** (marked A197B). Position the first one vertically over the 'seam' between panels **109A** and **110A**. The second one is positioned down the centre of part **110A**.



10 Fix the upper and lower ends of parts **110G** in place using a total of four **NM** screws. Note that the two central screw holes in the strips are not used at this stage.

ROUTEMASTER BUS **RM 857**

Finished view

